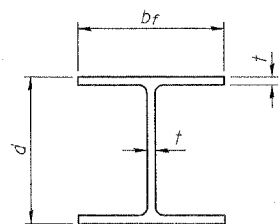


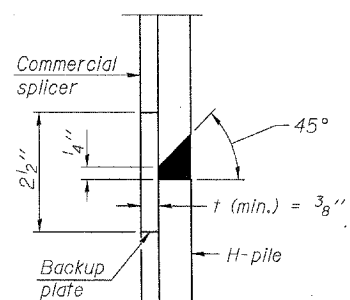
STATE OF ILLINOIS
DEPARTMENT OF TRANSPORTATION

ROUTE NO.	SECTION	COUNTY	TOTAL SHEETS	SHEET NO.	SHEET NO. 38 42 SHEETS
F.A.P. 301 (US 20)	(2)D	WINNEBAGO	107	60	
FED. ROAD DIST. NO. 7	ILLINOIS	FED. AID PROJECT	Contract #64B07		



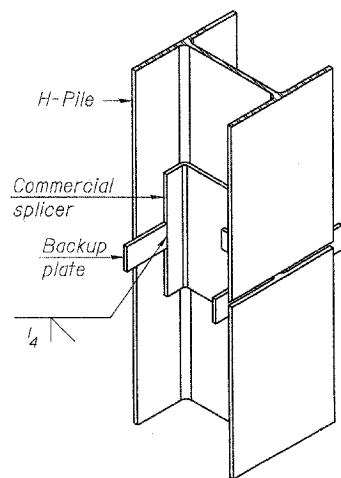
STEEL PILE TABLE

Designation	Depth d	Flange width b _f	Web and Flange thickness t	Encasement diameter A
HP 14x117	14 1/4"	14 7/8"	13/16"	30"
x102	14"	14 3/4"	1/16"	30"
x89	13 7/8"	14 3/4"	5/8"	30"
x73	13 5/8"	14 5/8"	1/2"	30"
HP 12x84	12 1/4"	12 1/4"	1/16"	24"
x74	12 1/8"	12 1/4"	5/8"	24"
x63	12"	12 1/8"	1/2"	24"
x53	11 3/4"	12"	7/16"	24"
HP 10x57	10"	10 1/4"	9/16"	24"
x42	9 3/4"	10 1/8"	7/16"	24"
HP 8x36	8"	8 1/8"	7/16"	18"

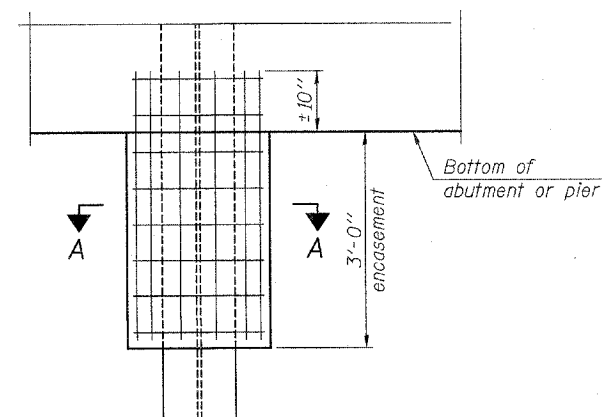


DETAIL "B"

WELDED COMMERCIAL SPLICE

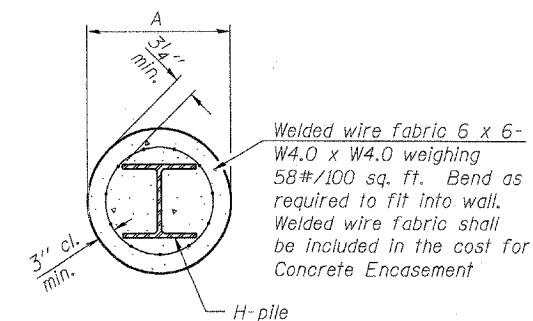


ISOMETRIC VIEW



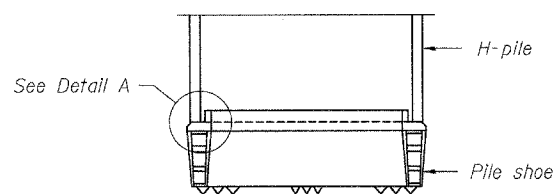
ELEVATION

PILE ENCASEMENT



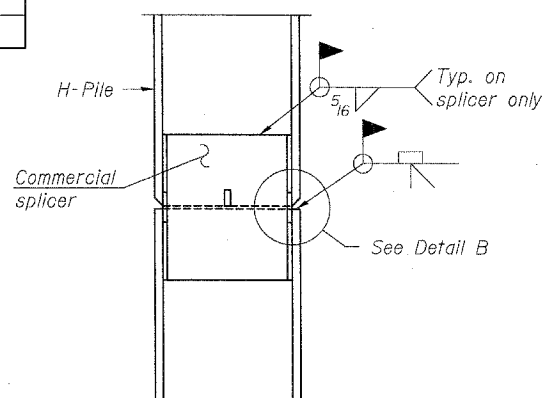
SECTION A-A

Note:
Forms for encasement may be omitted when soil conditions permit.



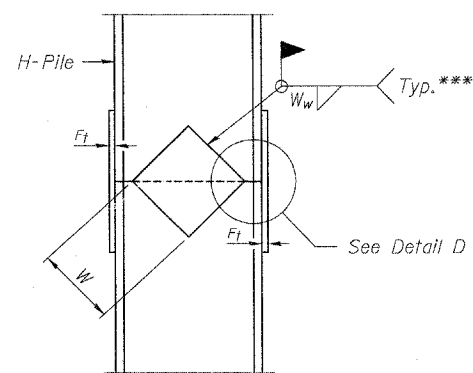
ELEVATION

H-PILE SHOE ATTACHMENT

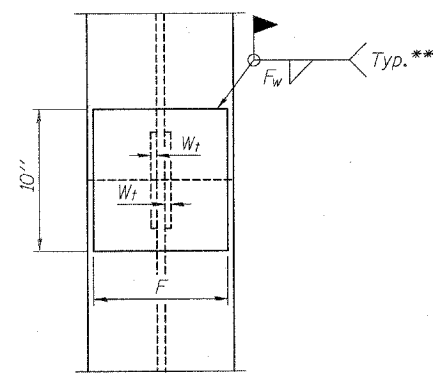


ELEVATION

COMPLETE PENETRATION WELD SPLICE

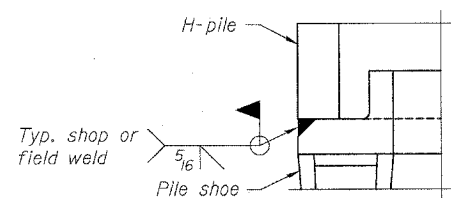


ELEVATION

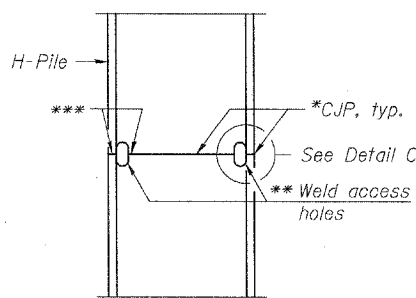


END VIEW

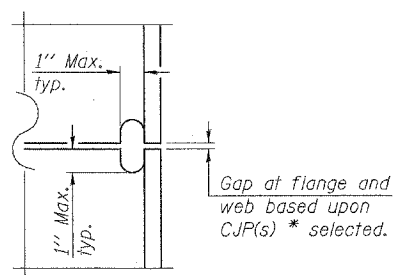
WELDED PLATE FIELD SPLICE



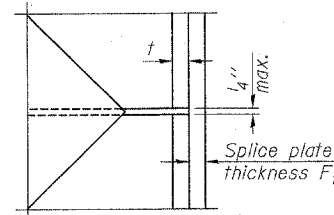
DETAIL A



ELEVATION



DETAIL C



DETAIL D

- * Use joint conforming to Figure 3.4 in AWS D1.1, Structure Welding Code - Steel.
- ** Preparation per Fig. 5.2 in AWS D1.1, Structure Welding Code - Steel.
- *** Interrupt welds 1/4" from end of each pile.

Note:
The steel H-piles shall be according to AASHTO M270 Grade 50.

Plans Prepared by: Kudrna & Associates, Ltd.

Designation	F	F _t	F _w	W	W _t	W _w
HP 14x117	12 1/2"	1"	7/8"	7 3/4"	5 8/8"	1/2"
x102	12 1/2"	7/8"	3/4"	7 3/4"	5 8/8"	1/2"
x89	12 1/2"	3/4"	1/16"	7 3/4"	5 8/8"	1/2"
x73	12 1/2"	5/8"	9/16"	7 3/4"	5 8/8"	1/2"
HP 12x84	10"	7/8"	1/16"	6 1/2"	5 8/8"	1/2"
x74	10"	7/8"	1/16"	6 1/2"	5 8/8"	1/2"
x63	10"	5/8"	1/2"	6 1/2"	1/2"	3/8"
x53	10"	5/8"	1/2"	6 1/2"	1/2"	3/8"
HP 10x57	8"	3/4"	9/16"	5 1/4"	1/2"	3/8"
x42	8"	5/8"	9/16"	5 1/4"	1/2"	3/8"
HP 8x36	7"	5/8"	7/16"	4 1/4"	1/2"	3/8"

PILE AND ENCASEMENT DETAILS

F.A.P. ROUTE 301 (US 20)

OVER PRAIRIE ROAD

SECTION (2)HB-(2)D

WINNEBAGO COUNTY

STATION 841+89.60

STRUCTURE NO. 101-0051 (W.B.)

STRUCTURE NO. 101-0052 (E.B.)

DESIGNED	SSM
CHECKED	JLA
DRAWN	GYR
CHECKED	SSM

F-HP

11-1-06