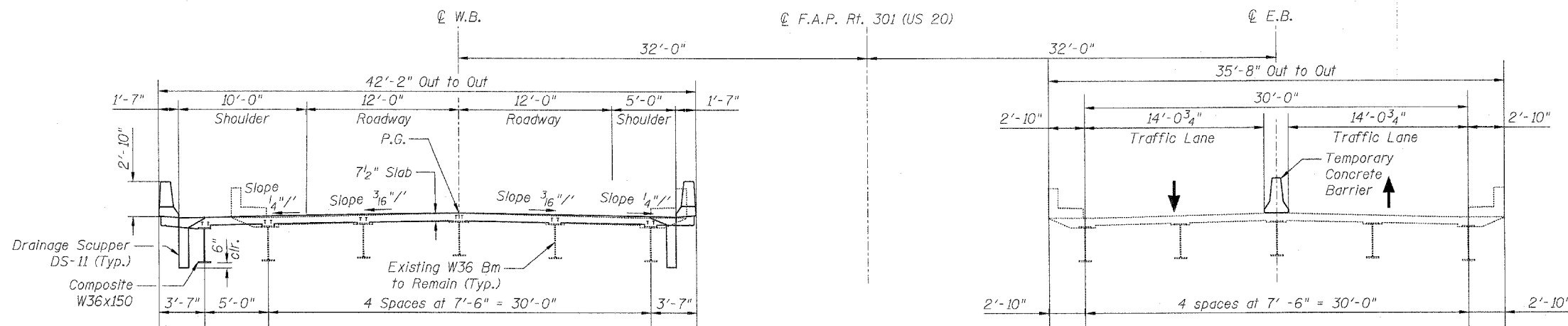


STATE OF ILLINOIS
DEPARTMENT OF TRANSPORTATION

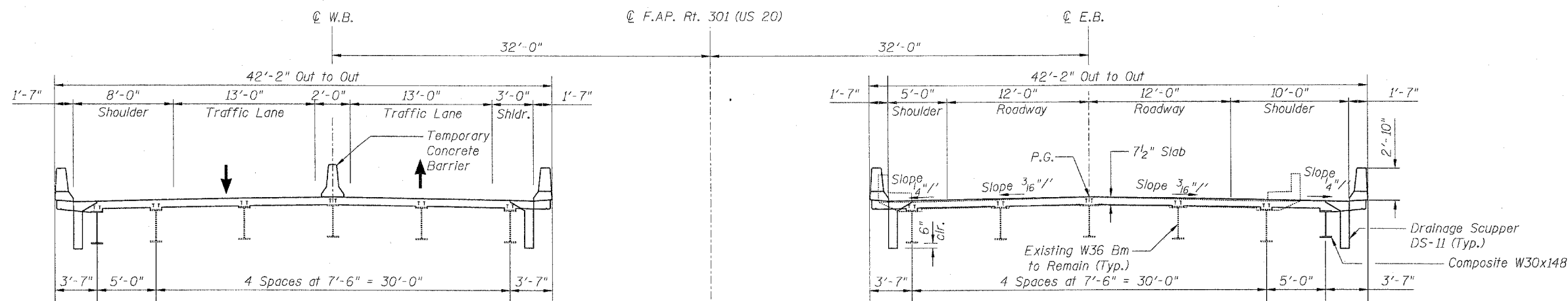
ROUTE NO.	SECTION	COUNTY	TOTAL SHEETS	SHEET NO.
F.A.P. 301 (US 20)	(2HB-1)D	WINNEBAGO	107	68
FED. ROAD DIST. NO. 7	ILLINOIS	FED. AID PROJECT-		

SHEET NO. 3
34 SHEETS

Contract #64B07



Stage I Construction
CROSS SECTION
Looking East



Stage II Construction
CROSS SECTION
Looking East

DESIGNED	SSM
CHECKED	JLA
DRAWN	GYR
CHECKED	SSM

STAGE CONSTRUCTION
F.A.P. ROUTE 301 (US 20)
OVER SIMPSON ROAD
SECTION (2HB-1)D
WINNEBAGO COUNTY
STATION 849+27.97
STRUCTURE NO. 101-0053 (W.B.)
STRUCTURE NO. 101-0054 (E.B.)