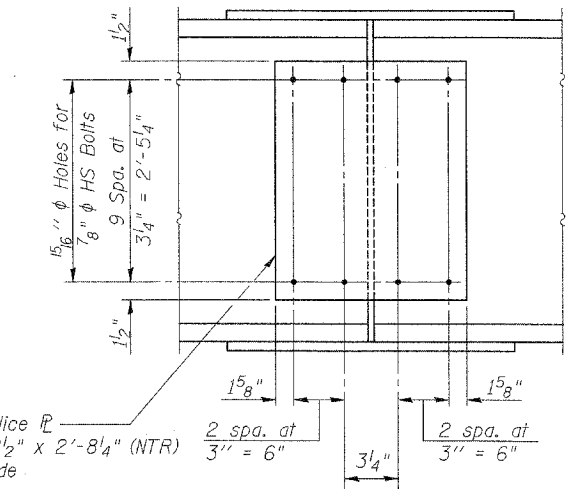
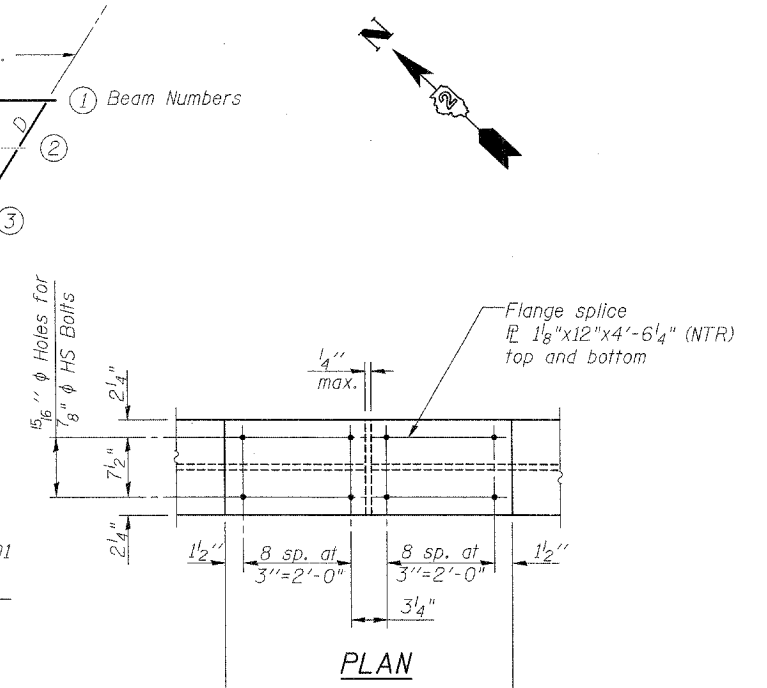
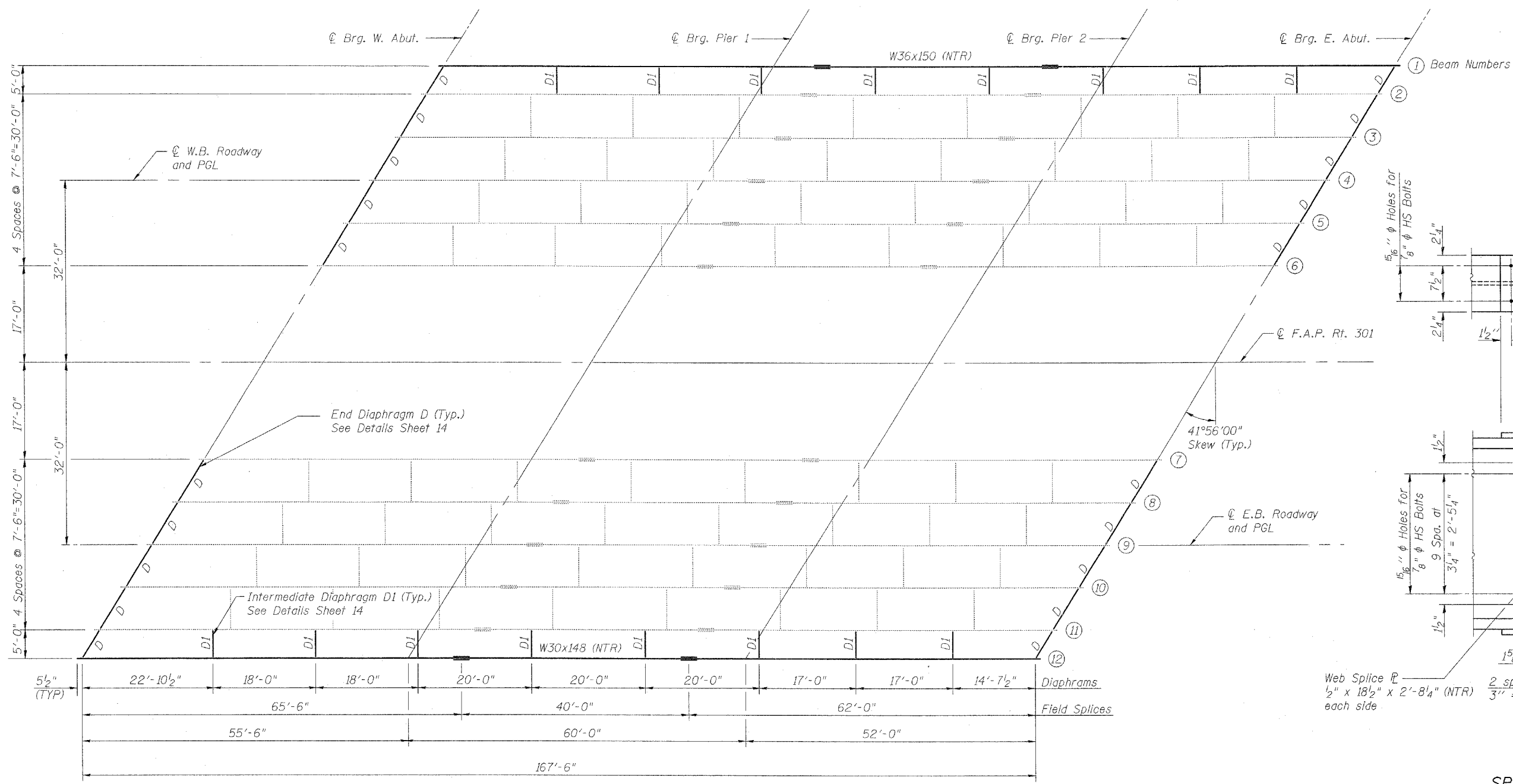


STATE OF ILLINOIS  
DEPARTMENT OF TRANSPORTATION

ROUTE NO.	SECTION	COUNTY	TOTAL SHEETS	SHEET NO.	SHEET NO. 13
F.A.P. 301 (US 20)	(2HB) -DD	WINNEBAGO	107	78	34 SHEETS
FED. ROAD DIST. NO. 7	ILLINOIS	FED. AID PROJECT-			

Contract #64B07



**SPLICE DETAIL BEAM 1**  
(2 Required)  
(See Sheet 14 for Beam 12)

**FRAMING PLAN**

**BILL OF MATERIAL**

Item	UNIT	QUANTITY
Furnishing & Erecting Structural Steel	Pound	62,050
Stud Shear Connectors	Each	7,236
Structural Steel Removal	Pound	6,433

**NOTES:**  
Contractor to verify existing dimensions in the field and make necessary approved adjustments prior to ordering materials.

All existing end diaphragms and angles to be removed. Removal shall be paid per pound for Structural Steel Removal. Replace with new steel. See End Diaphragm D Details on Sheet 14 of 34.

DESIGNED	SSM
CHECKED	JLA
DRAWN	GYR
CHECKED	SSM

**FRAMING PLAN**  
F.A.P. ROUTE 301 (US 20)  
OVER SIMPSON ROAD  
SECTION (2HB-1)D  
WINNEBAGO COUNTY  
STATION 849+27.97  
STRUCTURE NO. 101-0053 (W.B.)  
STRUCTURE NO. 101-0054 (E.B.)