

STATE OF ILLINOIS
DEPARTMENT OF TRANSPORTATION

ROUTE NO.	SECTION	COUNTY	TOTAL SHEETS	SHEET NO.
F.A.P. 301 (US 20)	(2HB-1D)	WINNEBAGO	107	87
FED. ROAD DIST. NO. 7	ILLINOIS	FED. AID PROJECT		

Contract #64B07

REINFORCEMENT
FOR ONE ABUTMENT

Bar	No.	Size	Length	Shape
h400(E)	16	#5	27'-2"	—
h401(E)	10	#5	8'-0"	—
h402(E)	10	#5	8'-0"	—
h403(E)	28	#4	11'-2"	—
h404(E)	20	#4	9'-1"	—
h405(E)	10	#6	27'-6"	—
p400(E)	13	#6	13'-4"	—
p401(E)	12	#6	6'-10"	—
p402(E)	16	#6	5'-0"	—
p400(E)	8	#7	5'-0"	—
p401(E)	8	#7	7'-9"	—
p402(E)	8	#5	7'-0"	—
t400(E)	19	#4	5'-4"	—
t401(E)	13	#4	9'-1"	—
t402(E)	12	#7	12'-8"	—
t403(E)	12	#6	5'-7"	—
u400(E)	2	#6	9'-8"	—
u401(E)	2	#4	7'-7"	—
v400(E)	22	#5	5'-0"	—
v401(E)	90	#5	4'-2"	—
v402(E)	24	#6	9'-1"	—
v403(E)	6	#6	6'-11"	—
v404(E)	16	#6	7'-8"	—
v405(E)	10	#5	3'-8"	—
v406(E)	53	#5	2'-0"	—
v407(E)	42	#5	3'-9"	—
w400(E)	18	#6	4'-4"	—
w401(E)	12	#6	5'-2"	—

BILL OF MATERIAL
FOR TWO ABUTMENTS

ITEM	UNIT	QTY
Structure Excavation	Cu. Yd.	218.6
Concrete Structures	Cu. Yd.	74.6
Reinforcement Bars, Epoxy Coated	Pound	8,680
Furnishing Steel Piles, HP12X53	Foot	126
Driving Piles	Foot	126
Concrete Encasement	Cu. Yd.	.8
Concrete Sealer	Sq. Ft.	1,614
Bar Splicers	Each	106
Geocomposite Wall Drain	Sq. Yd.	62
Pipe Underdrains For Structures, 4"	Foot	152
Porous Granular Embankment, Special	Cy. Yd.	169

Concrete Sealer shall be applied to all permanently exposed portions of the proposed backwalls, abutment fronts and bearing seats, new concrete only.

For details of Bar Splicers, see sheet 30 of 34.
For details of piles and Concrete Encasement, see sheet 29 of 34.

ABUTMENT MODIFICATION DETAILS

WEST ABUTMENT (WB ROADWAY)
EAST ABUTMENT (EB ROADWAY)

F.A.P. ROUTE 301 (US 20)

OVER SIMPSON ROAD

SECTION (2HB-1D)

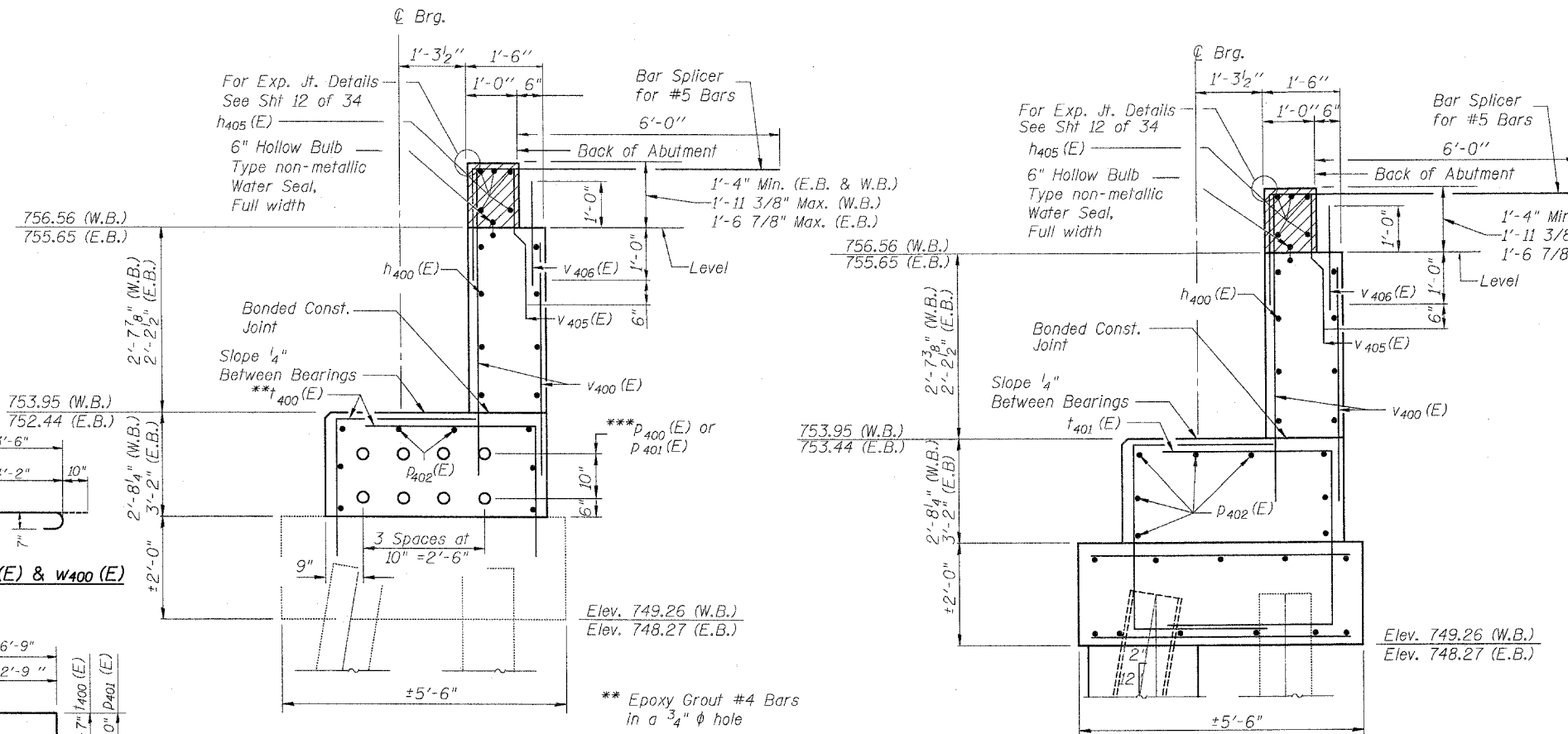
WINNEBAGO COUNTY

STATION 849+27.97

STRUCTURE NO. 101-0053 (W.B.)

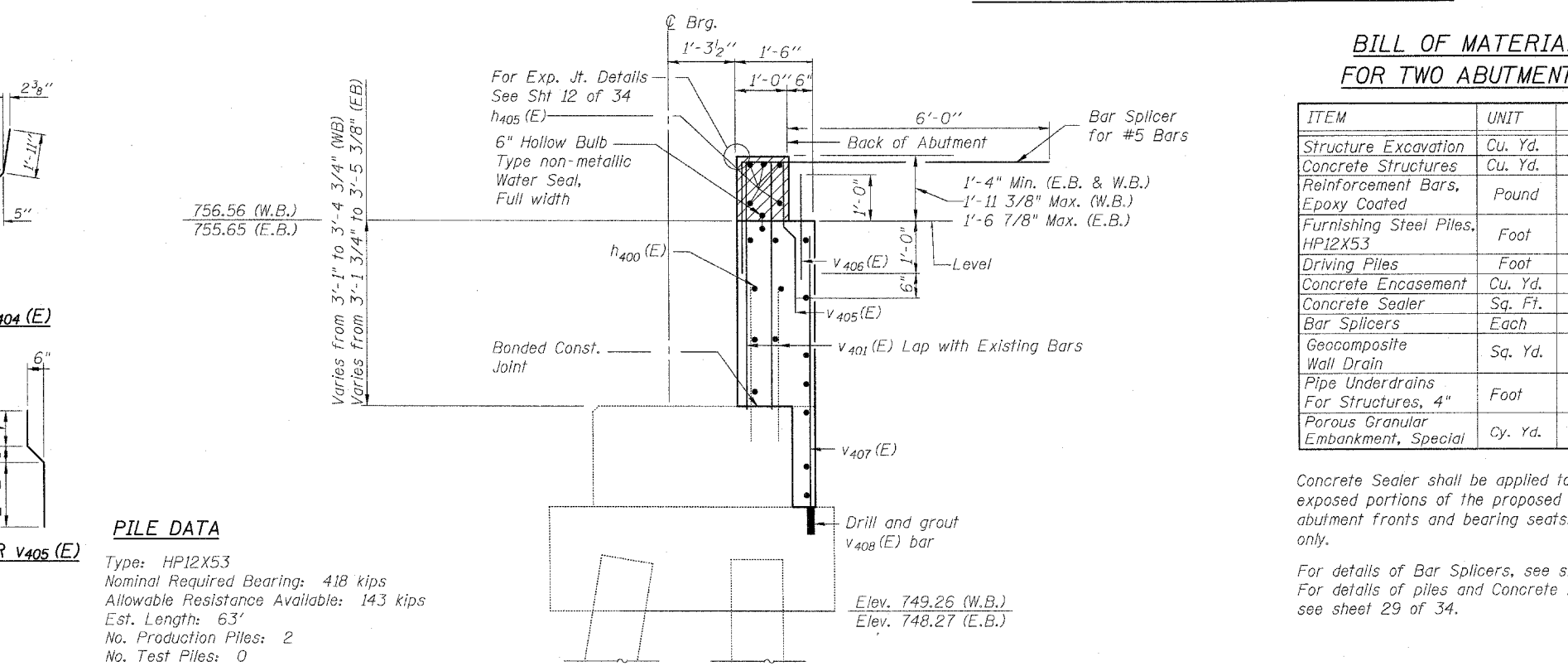
STRUCTURE NO. 101-0054 (E.B.)

Plans Prepared by: Kudrna & Associates, Ltd.



SECTION THRU PROPOSED
BEARING SEAT EXTENSION

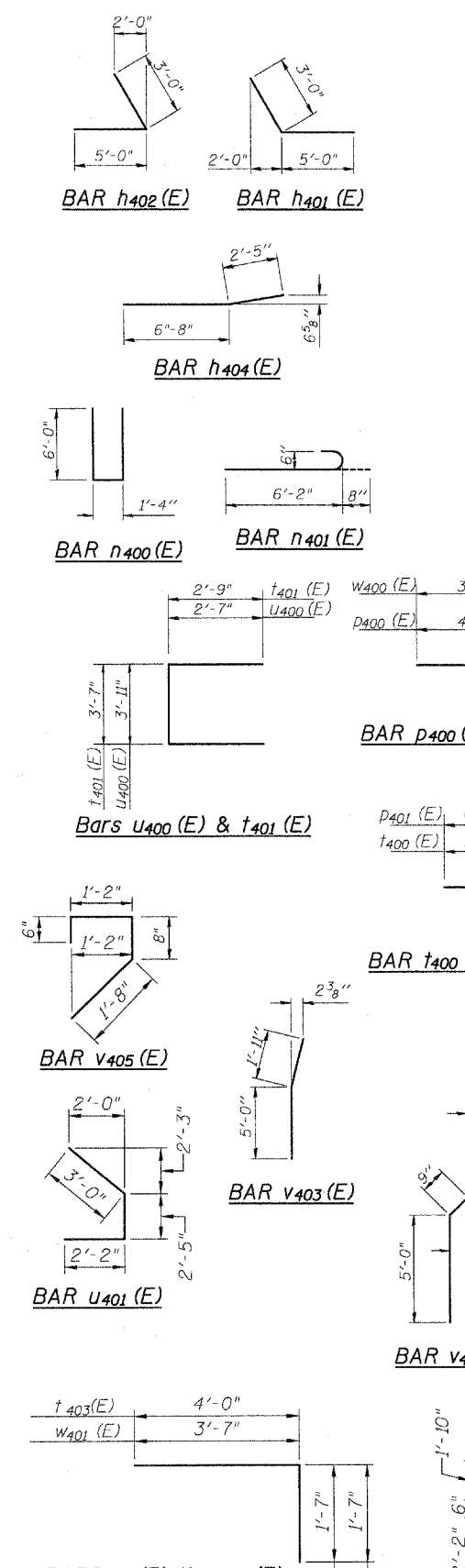
SECTION THRU PROPOSED
BEARING SEAT AND FOOTING EXTENSION



SECTION THRU EXISTING ABUTMENT

PILE DATA

Type: HP12X53
Nominal Required Bearing: 418 kips
Allowable Resistance Available: 143 kips
Est. Length: 63'
No. Production Piles: 2
No. Test Piles: 0
The Steel H-Piles shall be according to AASHTO M270 grade 50.



DESIGNED	SSM
CHECKED	JLA
DRAWN	GYR
CHECKED	SSM