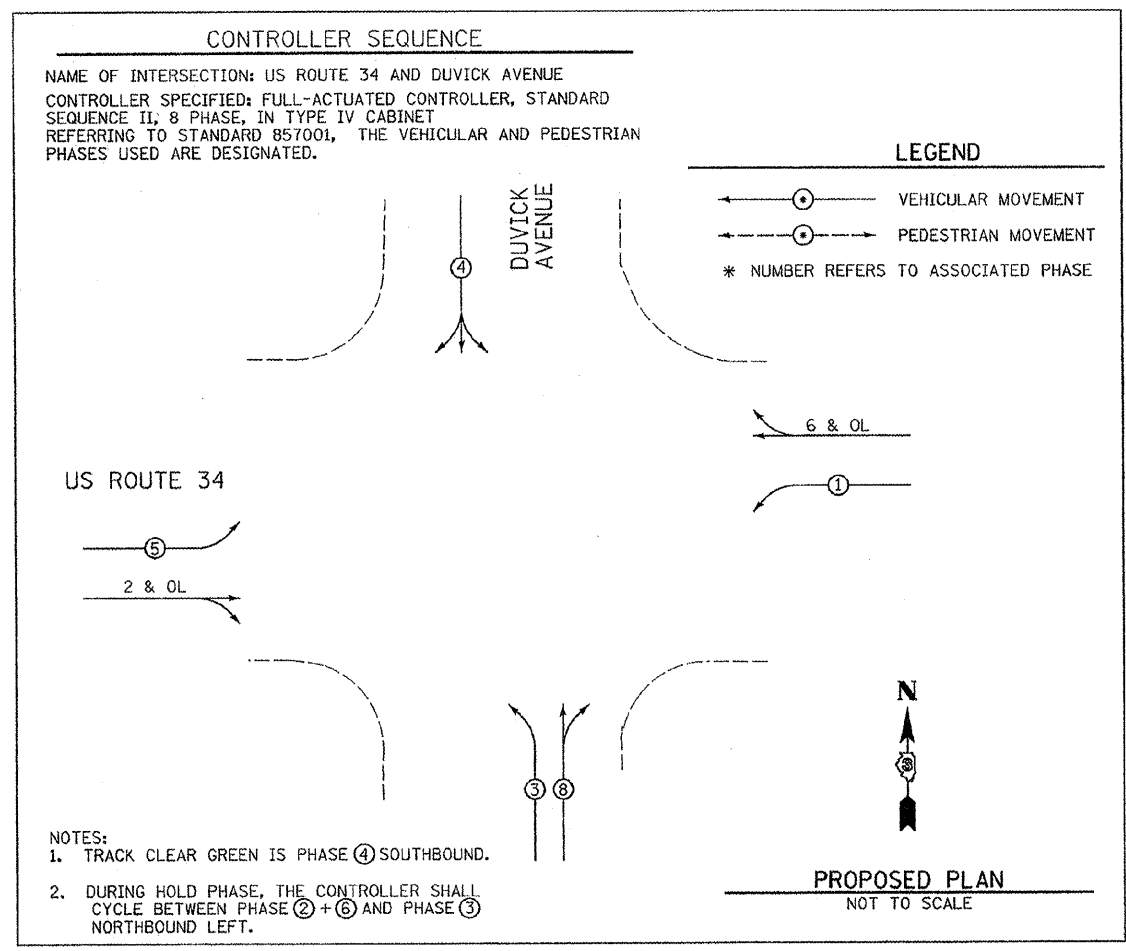
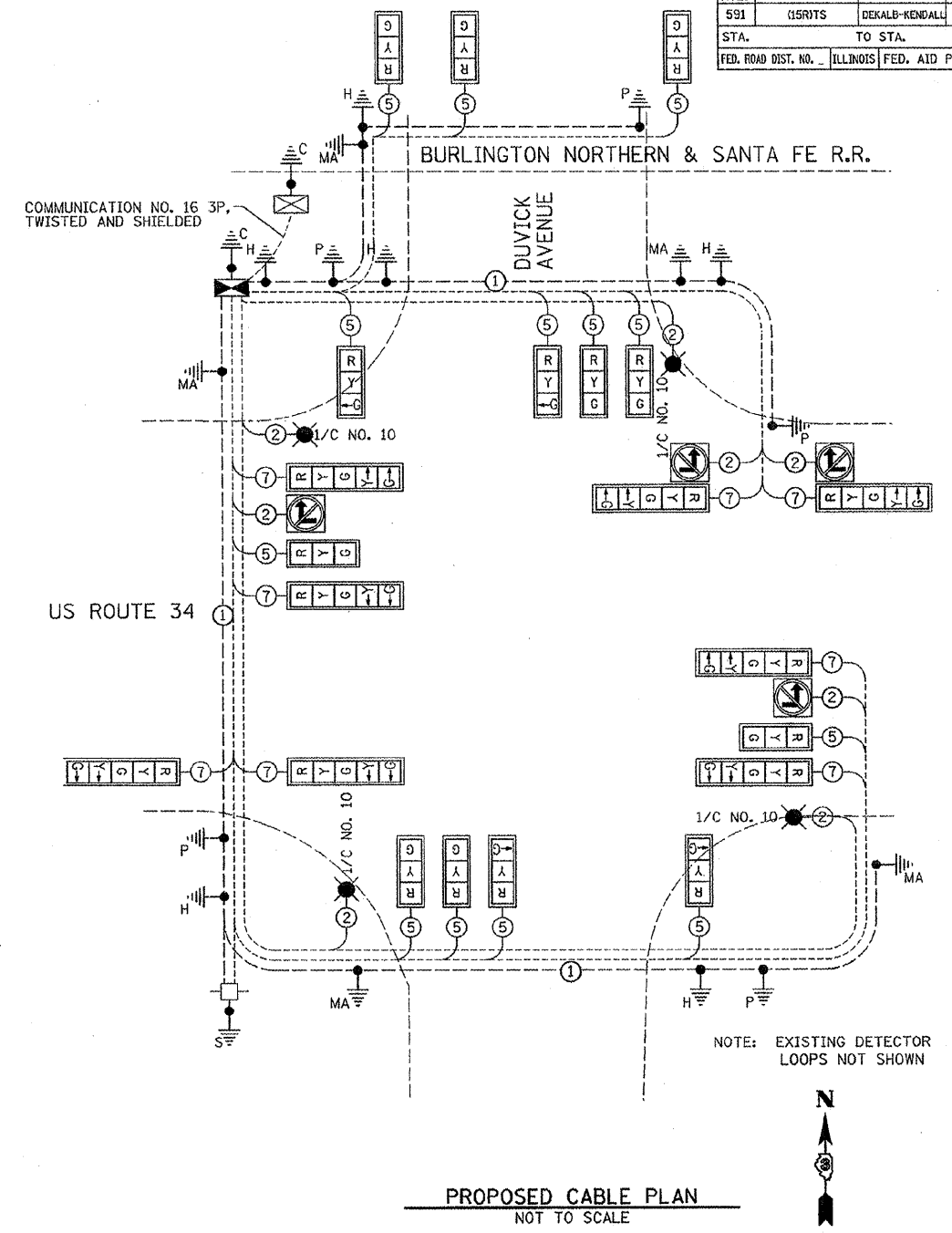


CONTRACT NO. 66724			
F.A.P. RTE.	SECTION	COUNTY	TOTAL SHEETS
591	15R1TS	DEKALB-KENDALL	6
STA.	TO STA.		SHEET NO.
			5
FED. ROAD DIST. NO.	ILLINOIS	FED. AID PROJECT	



TRAFFIC SIGNALS LEGEND

⊙	DETOTES NUMBER OF CONDUCTORS (NEW) ALL CABLE NO. 14 EXCEPT AS INDICATED
□	EXISTING SERVICE INSTALLATION
⊞	PROPOSED CONTROLLER CABINET WITH LIGHTING CONTROLLER PHOTOCELL RELAY
⊞	ILLUMINATED SIGN - R3-1 LED BLANK OUT
⊞	ILLUMINATED SIGN - R3-2 LED BLANK OUT
⊞	EXISTING RAILROAD CONTROLLER
Y	RIGHT TURN YELLOW
G	RIGHT TURN GREEN
-Y	LEFT TURN YELLOW
-G	LEFT TURN GREEN
□	SIGNAL SECTION 12"
⊙	250 WATT HPS LUMINAIRE
⊞	TRAFFIC SIGNAL BACKPLATE
⊞	GROUND ROD AT POST (P) OR MAST ARM (MA) OR CONTROLLER (C) OR SERVICE INSTALLATION (S) OR HANDHOLE (H)



REVISIONS	
NAME	DATE

ILLINOIS DEPARTMENT OF TRANSPORTATION
 CABLE PLAN
 FAP 591 (US 34)
 SECTION 15R1TS
 DEKALB-KENDALL COUNTY

SCALE: VERT. _____
 HORIZ. _____
 DATE 5/07

DRAWN BY ARR
 CHECKED BY JLS

PLOT DATE = 5/07
 FILE NAME = CABLE.DGN
 PLOT SCALE = ARR
 USER NAME = ARR