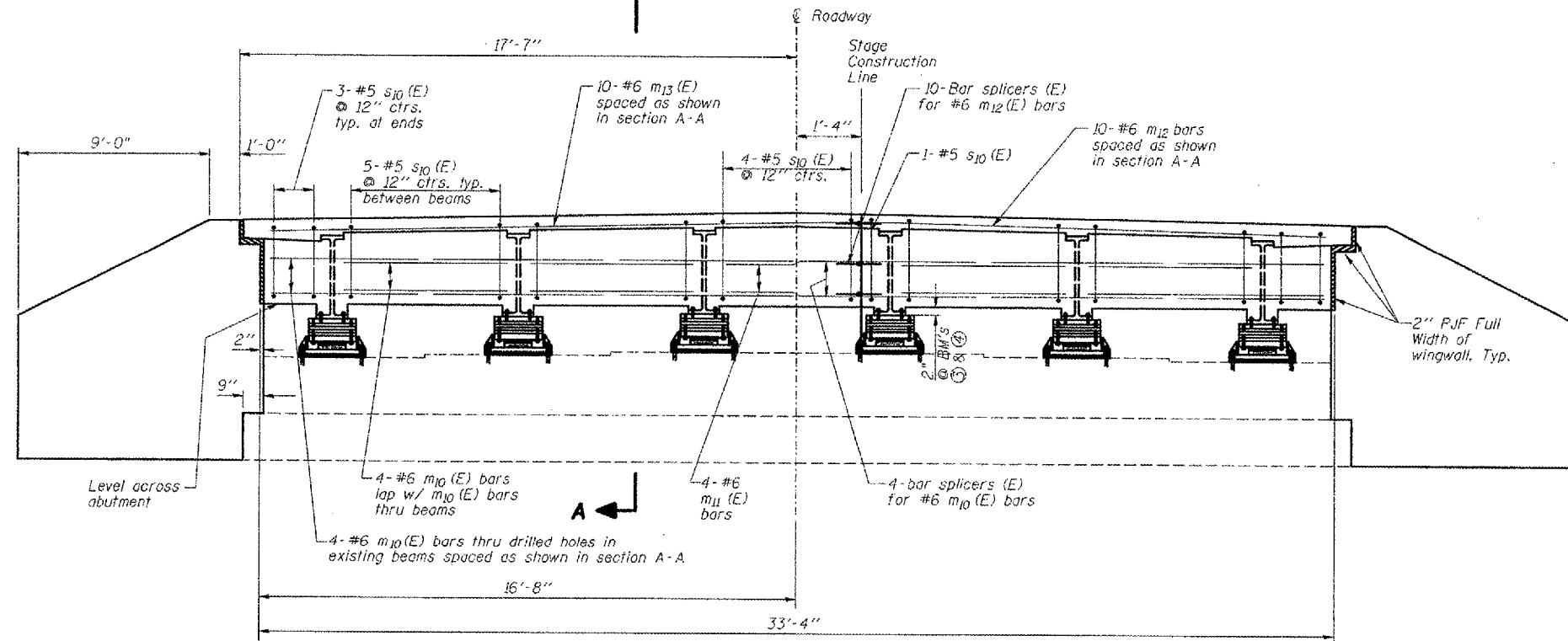
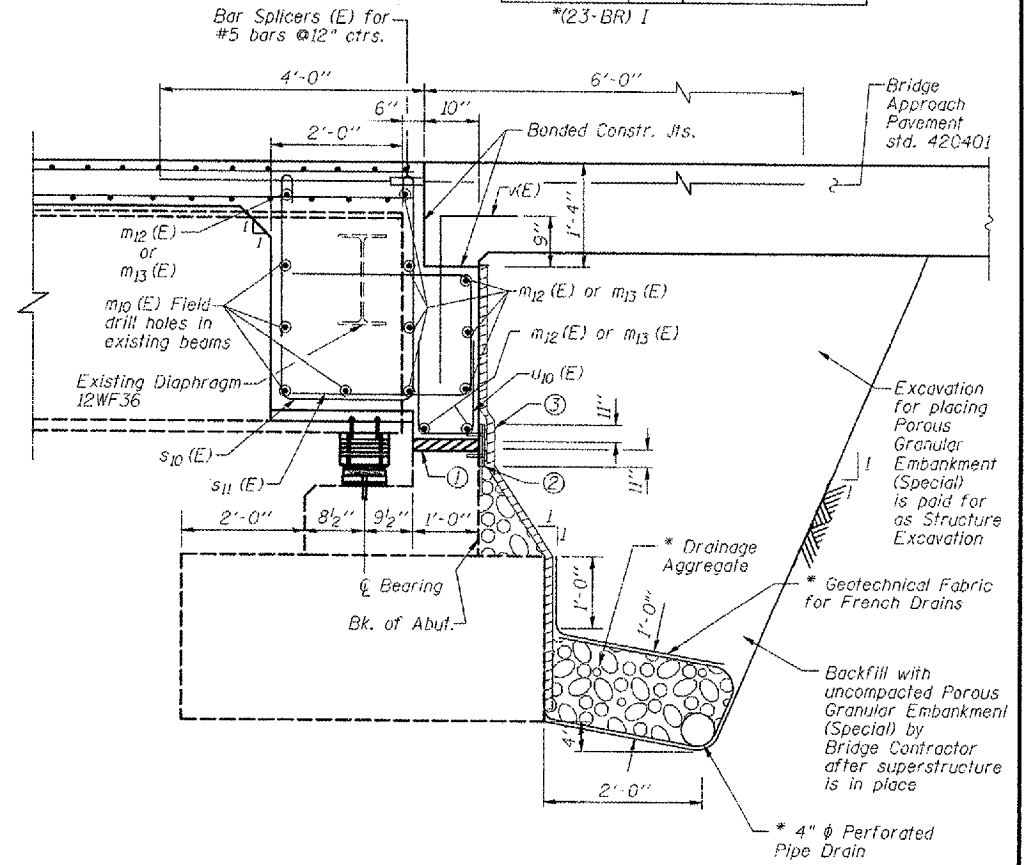


STATE OF ILLINOIS
DEPARTMENT OF TRANSPORTATION

ROUTE NO.	SECTION	COUNTY	SHEET	DATE	SHEET NO.
220	*	Mercer	50	25	13
FED. AID DIST. NO. 1					SHEETS 23
FED. AID PROJECT					



ELEVATION



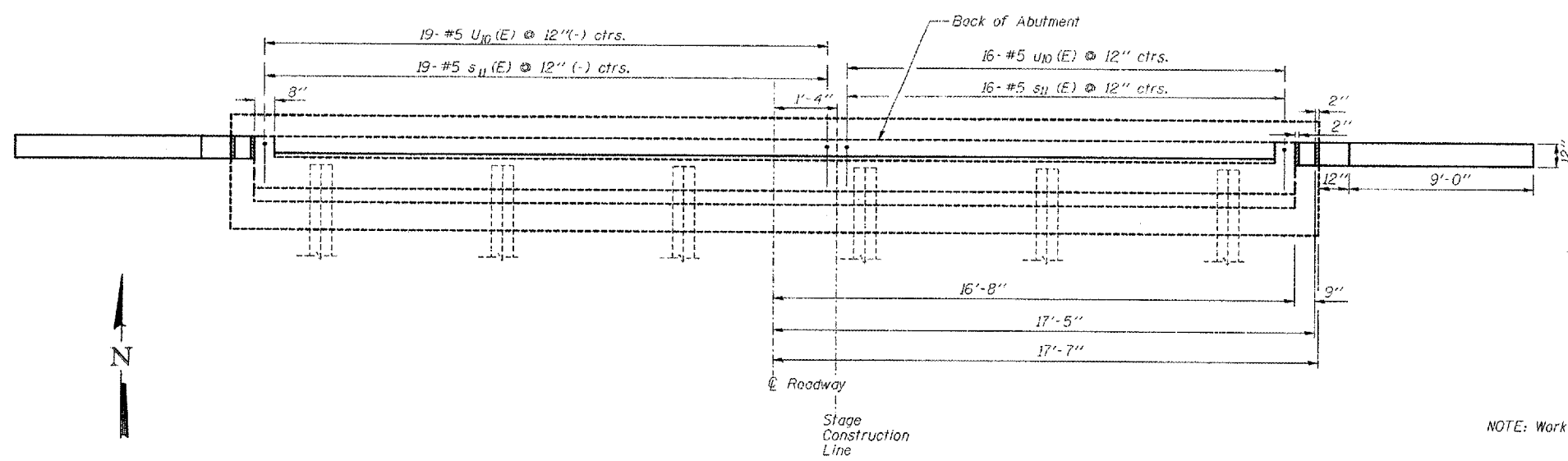
SECTION A-A

- ① 2" Preformed Joint Filler (Section 1051.08 of the Standard Specifications) bonded to abutment cap with approved adhesive (full width of cap).
- ② Fabric Reinforced Elastomeric Mat according to Section 1028 of the Std. Specs. Fabric mat shall be 24" wide and attached full width and vertically at edges to the abutment cap with a 3/8" x 5" steel plate and 1/2" ϕ studs with nuts and washers at 12" cts.
- ③ Geocomposite Wall Drain

Items ① ② ③ shall be included in the cost of Concrete Superstructure

*Included in the cost of Pipe Underdrains for Structures

All drainage system components shall extend to 2'-0" from the end of each wingwall except an outlet pipe shall extend until intersecting with the side slopes. The pipes shall drain into concrete headwalls. (See Article 601.05 of the Standard Specifications and Highway Standard 60110).



PLAN

North Abutment Shown. South Abutment Symmetrical About Centerline

NOTE: Work Sheets 11, 12, & 13 together.

DESIGNED	K.E. Brandau
CHECKED	R.T. Mumm
DRAWN	L.A. Rolf
CHECKED	K.E. Brandau

ABUTMENT DIAPHRAGM DETAILS
F.A.S. ROUTE 220 (IL ROUTE 94)
OVER EDWARDS RIVER
SECTION (23-BR) I
MERCER COUNTY
STRUCTURE NO. 066-0008
STATION 104+73.75

FRAUENHOFFER & ASSOCIATES, P.C.