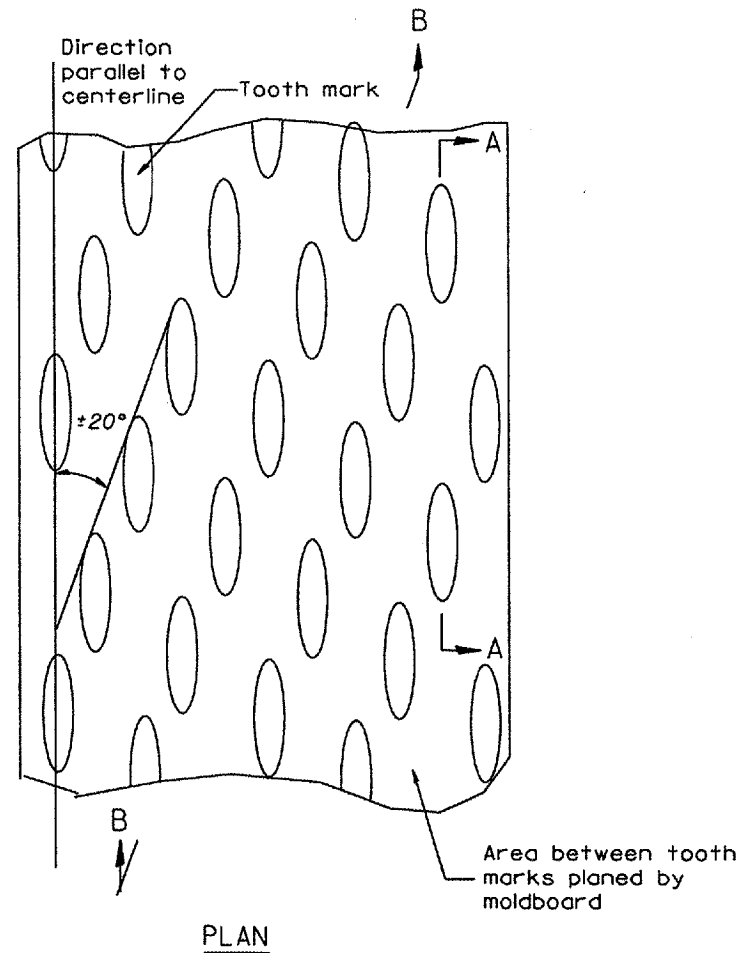
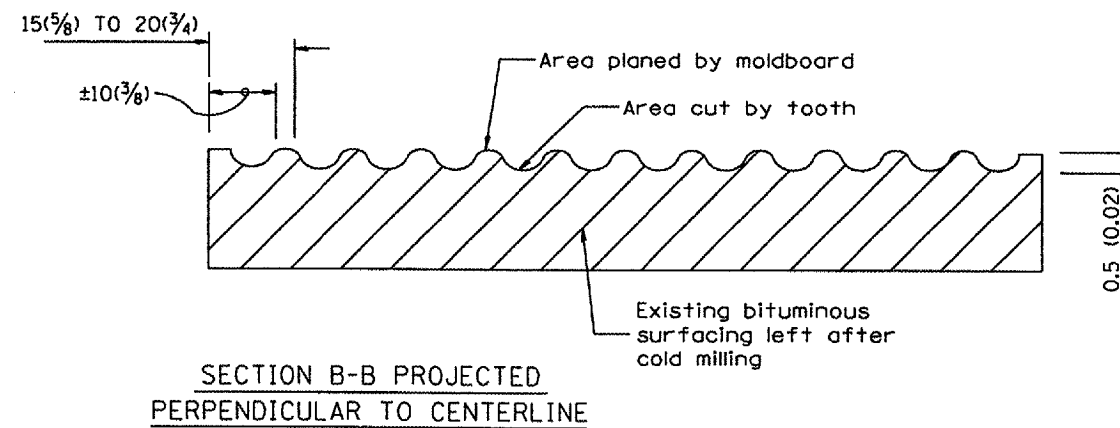
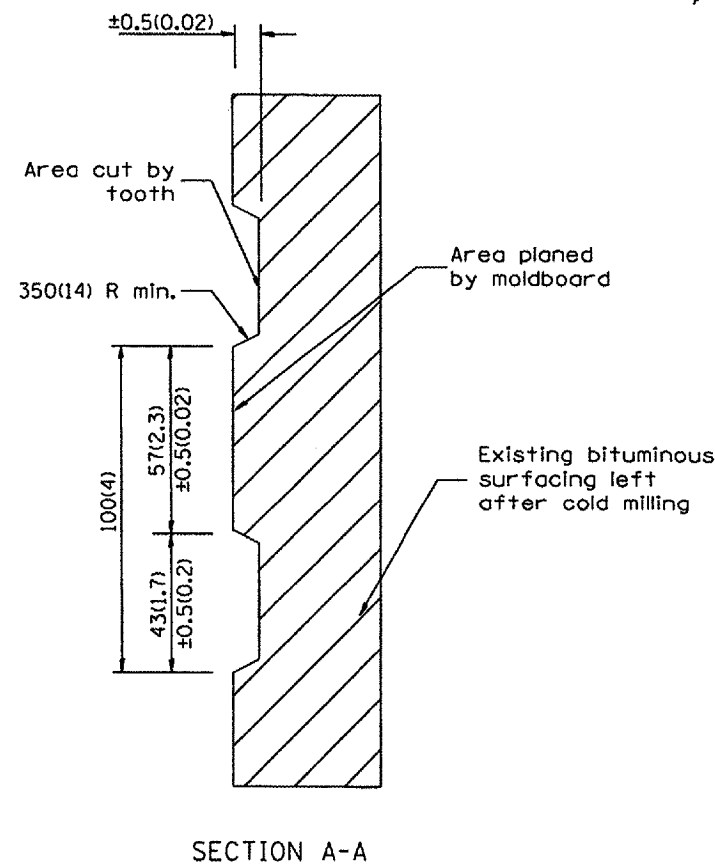


F.A.S. RTE.	SECTION	COUNTY	TOTAL SHEETS	SHEET NO.
220	(23-BR) I	Mercer	50	39
STA. 99+71		TO STA. 109+76		
FED. ROAD DIST. NO. 7 ILLINOIS FED. AID PROJECT				



General notes:

1. Coldmilling shall consist of two processes: Cutting with carbide teeth mounted on a rotating drum, and planing with a moldboard mounted immediately behind the cutting drum.
2. Other similar patterns will be acceptable if they consist of a smooth, flat, planed surface interspersed with a pattern of discontinuous longitudinal striations.



All dimensions are in millimeters (inches) unless otherwise noted.

ILLINOIS DEPARTMENT OF TRANSPORTATION  
DISTRICT CADD STANDARD

BITUMINOUS SURFACE REMOVAL  
(COLD MILLING)

CADD STD NO. 440001-D4

SCALE: NOT DRAWN TO SCALE DRAWN BY CADD  
DATE JAN 2003 CHECKED BY

DATE	REVISIONS	BY
1-1-97	RENUM. C-104.01, NEW REVISION BOX	T. P.
4-20-98	REMOVED MILLING DETAIL FROM STD.	J.
9-08-98	CORRECT NOTE LEADER PLACEMENT	R. W.

DATE