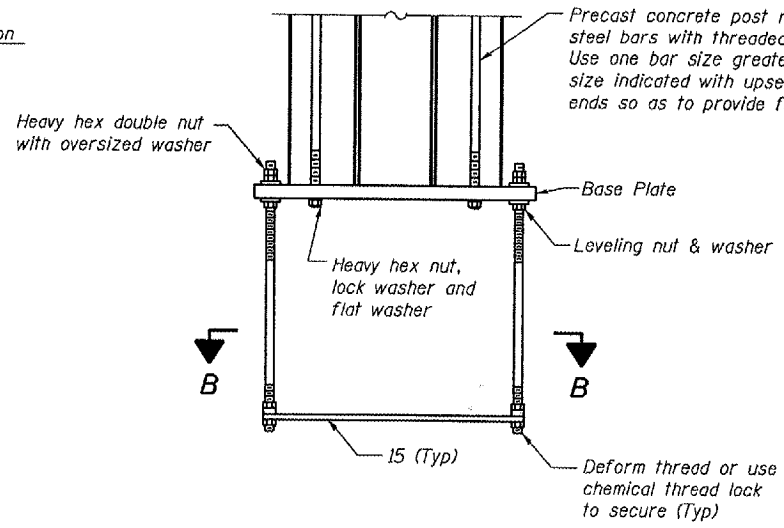
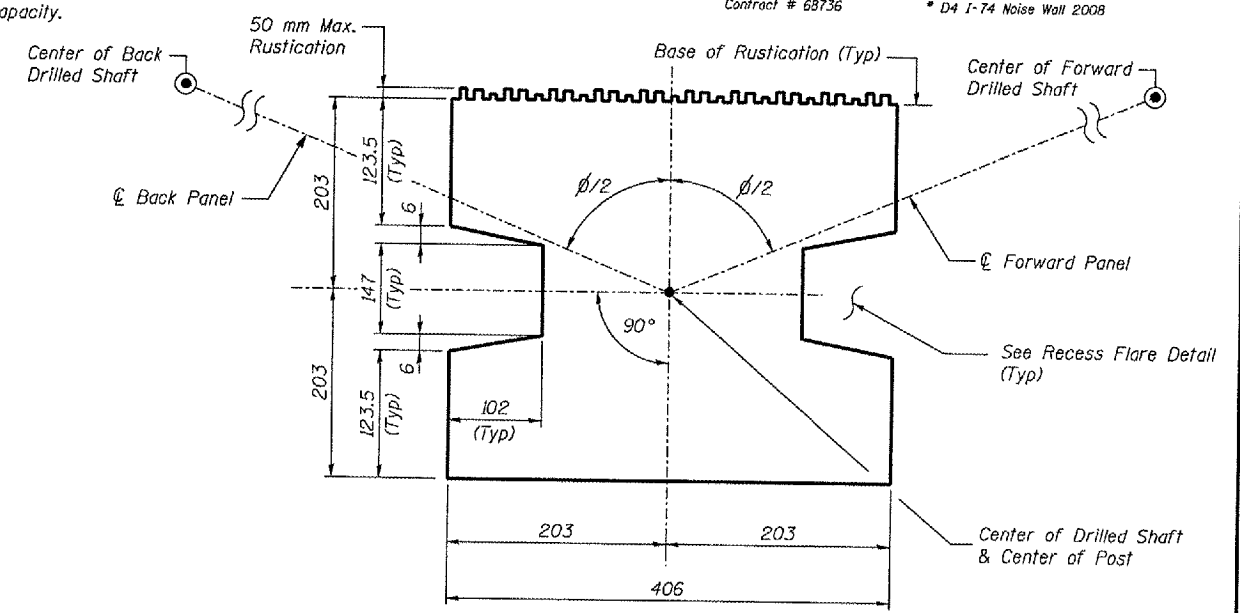


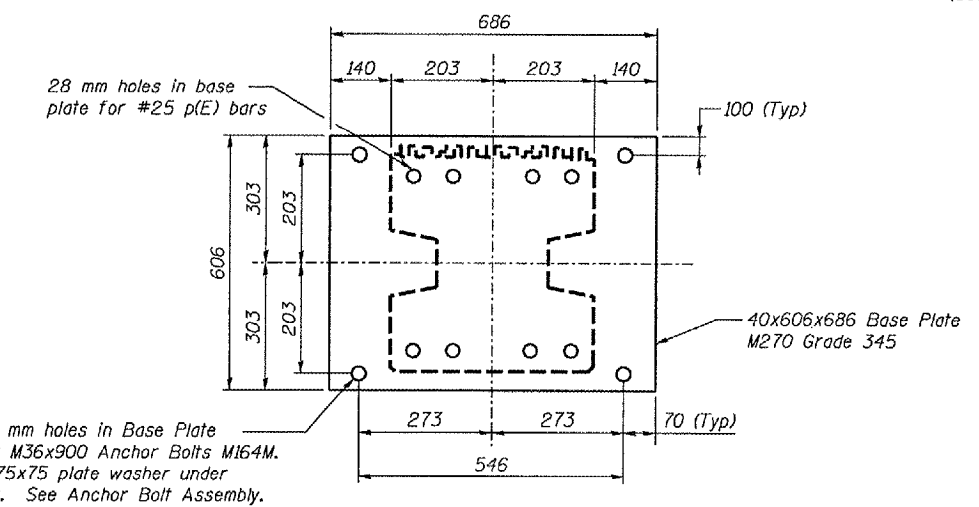
**SECTION A-A**  
**PRECAST CONCRETE INTERIOR POST**  
(Ground Mounted)



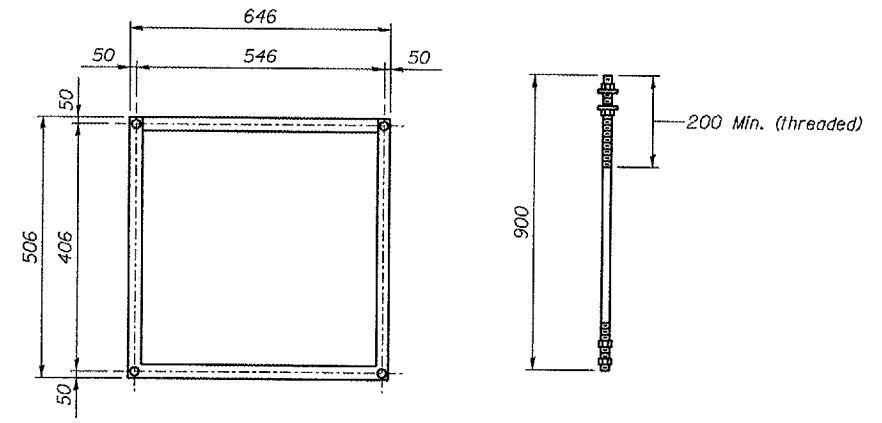
**ANCHOR BOLT ASSEMBLY**  
(Precast concrete post base plate connection to top of drilled shaft)  
(Cost included in Noise Abatement Wall Ground Mounted (Precast Concrete))



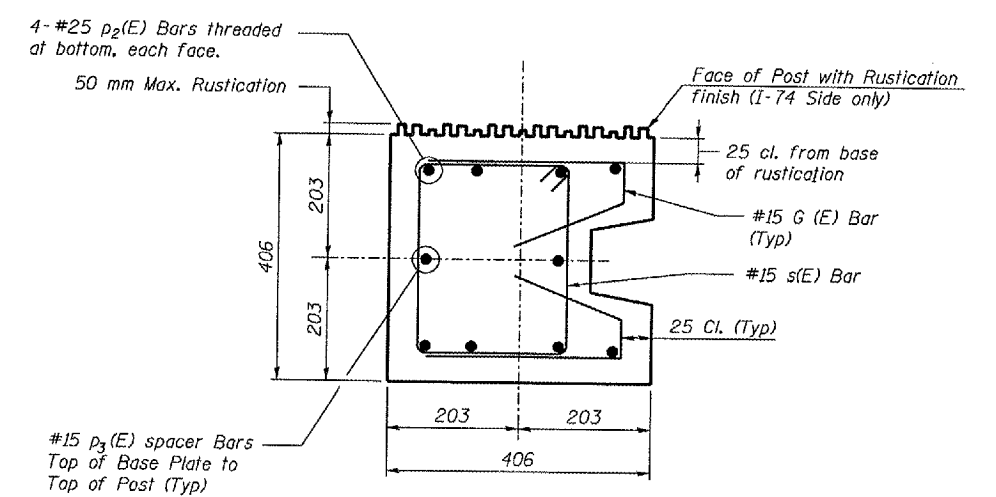
**TYPICAL POST CROSS SECTION**  
**SHOWING RECESS DETAIL**



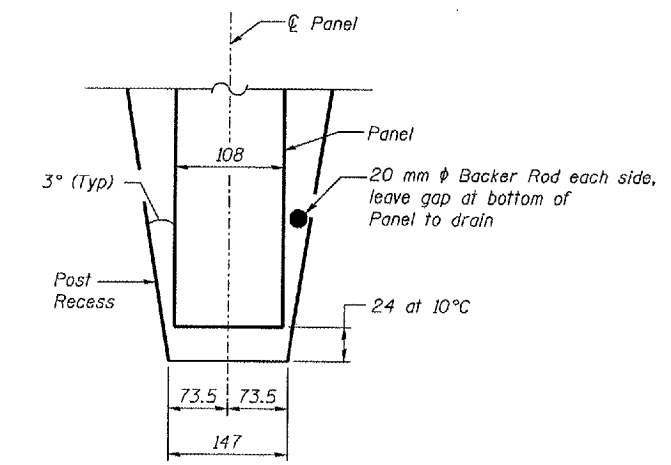
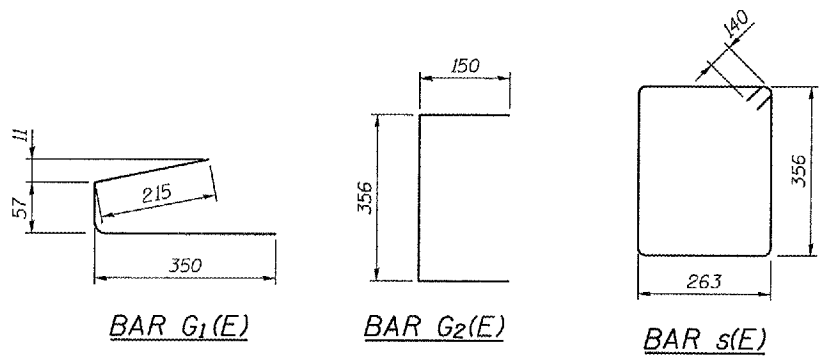
**BASE PLATE (406x406 POST)**  
(Interior Post shown)



**SECTION B-B**  
**ANCHOR BOLT**



**SECTION A-A**  
**PRECAST CONCRETE 406x406 END POST**



**PLAN**  
**RECESS FLARE DETAIL**

- NOTES:**
- All edges shall have 15 mm chamfer.
  - All steel hardware and base plates shall be galvanized after shop fabrication according to AASHTO M111 and ASTM A385.
  - All nuts, washers and anchor bolts shall be galvanized according to AASHTO M232.
  - All Reinforcement shall be epoxy coated.
  - Work this sheet with sheets 19 and 20.

**benesch**  
alfred benesch & company  
Engineers • Surveyors • Planners  
205 North Michigan Avenue, Suite 2400  
Chicago, Illinois 60601  
312-555-0450  
JOB NO. 3373

REVISIONS	
NAME	DATE

ILLINOIS DEPARTMENT OF TRANSPORTATION  
**POST DETAILS I**  
**NOISE ABATEMENT WALL**  
F.A.I. RTE. 74 (I-74)  
**SECTION D4 I-74 NOISE WALL 2008**  
PEORIA COUNTY  
STA. 142+916.64 TO STA. 143+287.69  
STRUCTURE NUMBER 072-8554

6/20/2007 4:15:20 PM c:\projects\data3573\noisewalls\walla2\plans\3573rnw\_post1.dgn