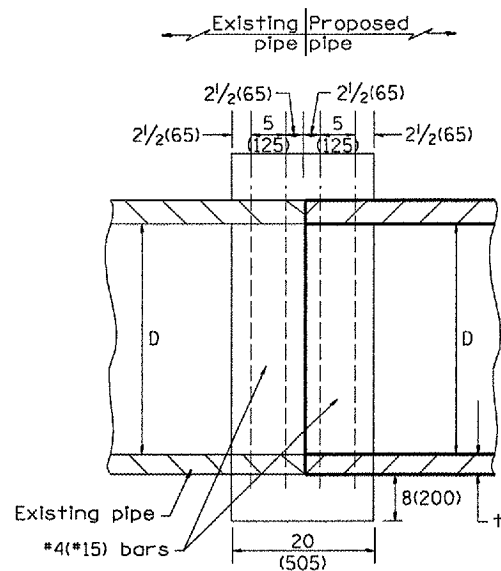
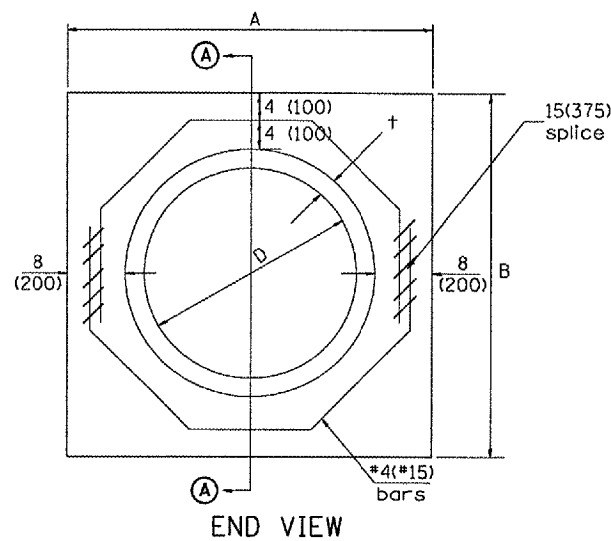


| | | | | |
|-----------------------|---------|---------------------------|--------------|-----------|
| F.A. RTE. | SECTION | COUNTY | TOTAL SHEETS | SHEET NO. |
| I-74 | * | PEORIA | 45 | 30 |
| STA. 142+916.64 | | TO STA. 143+287.69 | | |
| FED. ROAD DIST. NO. 4 | | ILLINOIS FED. AID PROJECT | | |

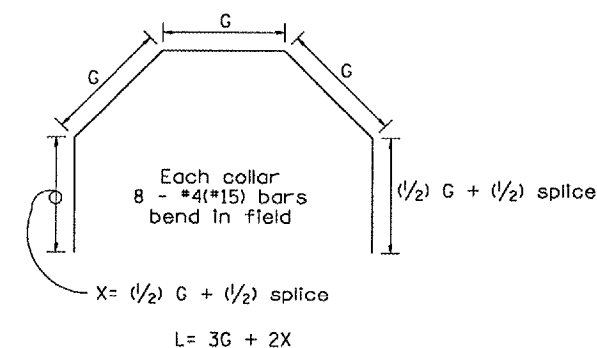
D4 I-74 NOISE WALL 2008



SECTION A - A



END VIEW



| D | | t | | A | | B | | Each Collar | | |
|-----------|------------|--------------|--------------|-------------|--|--|---------------|--------------------|----------|----------------|
| | | | | | | | | Reinforcement Bars | | |
| In (mm) | In (mm) | ft (m) | ft (m) | ft (m) | ft (m) | CL. SI CONC. cu. yd. (m ³) | G In (mm) | X In (mm) | L ft (m) | Weight lb (kg) |
| 12 (300) | 2.00 (51) | 2.67 (0.814) | 2.67 (0.814) | 0.4 (0.270) | 9 ¹⁵ / ₁₆ (253) | 12 ⁷ / ₁₆ (317) | 4.57 (1.393) | 24 (11) | | |
| 15 (375) | 2.25 (57) | 2.96 (0.902) | 2.96 (0.902) | 0.4 (0.315) | 11 ³ / ₈ (290) | 13 ³ / ₁₆ (335) | 5.05 (1.541) | 27 (12) | | |
| 18 (450) | 2.50 (64) | 3.25 (0.991) | 3.25 (0.991) | 0.5 (0.362) | 12 ¹³ / ₁₆ (327) | 13 ⁷ / ₈ (354) | 5.54 (1.689) | 30 (14) | | |
| 21 (525) | 2.75 (70) | 3.54 (1.079) | 3.54 (1.079) | 0.5 (0.411) | 14 ¹ / ₄ (364) | 14 ⁵ / ₈ (372) | 6.02 (1.836) | 32 (15) | | |
| 24 (600) | 3.00 (76) | 3.83 (1.167) | 3.84 (1.167) | 0.6 (0.460) | 15 ¹¹ / ₁₆ (401) | 15 ⁵ / ₁₆ (391) | 6.51 (1.984) | 35 (16) | | |
| 27 (675) | 3.25 (83) | 4.13 (1.259) | 4.13 (1.259) | 0.7 (0.516) | 17 ¹ / ₄ (438) | 16 ¹ / ₁₆ (409) | 6.99 (2.131) | 37 (17) | | |
| 30 (750) | 3.50 (89) | 4.42 (1.347) | 4.42 (1.347) | 0.7 (0.570) | 18 ¹¹ / ₁₆ (475) | 16 ³ / ₄ (428) | 7.48 (2.279) | 40 (18) | | |
| 33 (825) | 3.75 (95) | 4.71 (1.436) | 4.71 (1.436) | 0.8 (0.624) | 20 ¹ / ₈ (512) | 17 ¹ / ₂ (446) | 7.96 (2.426) | 43 (19) | | |
| 36 (900) | 4.00 (102) | 5.00 (1.524) | 5.00 (1.524) | 0.9 (0.682) | 21 ⁹ / ₁₆ (549) | 18 ³ / ₁₆ (465) | 8.44 (2.574) | 45 (20) | | |
| 42 (1050) | 4.50 (114) | 5.58 (1.701) | 5.58 (1.701) | 1.0 (.800) | 24 ⁷ / ₁₆ (622) | 19 ³ / ₄ (501) | 9.41 (2.869) | 50 (23) | | |
| 48 (1200) | 5.00 (127) | 6.17 (1.881) | 6.17 (1.881) | 1.2 (0.930) | 27 ⁵ / ₁₆ (696) | 21 ³ / ₁₆ (538) | 10.38 (3.164) | 55 (25) | | |

GENERAL NOTES

1. THE COLLAR SHALL BE CONSTRUCTED ENTIRELY OF CLASS SI CONCRETE IN ACCORDANCE WITH THE APPLICABLE PORTIONS OF SECTION 503 OF THE STANDARD SPECIFICATIONS. REINFORCEMENT BARS SHALL CONFORM TO SECTION 508.

All dimensions are in inches (millimeters) unless otherwise noted.

| QUANTITIES | |
|----------------------|--------|
| CALC. BY: R. J. D. | 2-2-98 |
| CHECKED BY: R. D. H. | 2-6-98 |

QUANTITY CALCULATIONS ARE ON FILE AT THE DISTRICT 4 OFFICE; BUREAU OF PROJECT IMPLEMENTATION; DOCUMENTATION SECTION

| DATE | REVISIONS | BY |
|----------|---|------|
| 1-1-97 | RENUM. B-8.03, NEW REVISION BOX ADDED QUANTITY CALCULATION BOX, REVISED TITLE BOX | T.P. |
| 4-1-97 | CORRECT BAR | J.A. |
| 2-10-98 | REVISE QUANTITIES | J.A. |
| 9-1-00 | CORRECT WEIGHT | J.A. |
| 10-16-06 | REV. TO 2007 SPEC., CORRECT mm UNITS | M.A. |

ILLINOIS DEPARTMENT OF TRANSPORTATION
DISTRICT CADD STANDARD
**PIPE CULVERT
 EXTENSION COLLAR
 (WITHOUT END SECTION)**
 CADD STANDARD 542016-D4
 SCALE: NOT DRAWN TO SCALE
 DRAWN BY: CADD
 CHECKED BY: