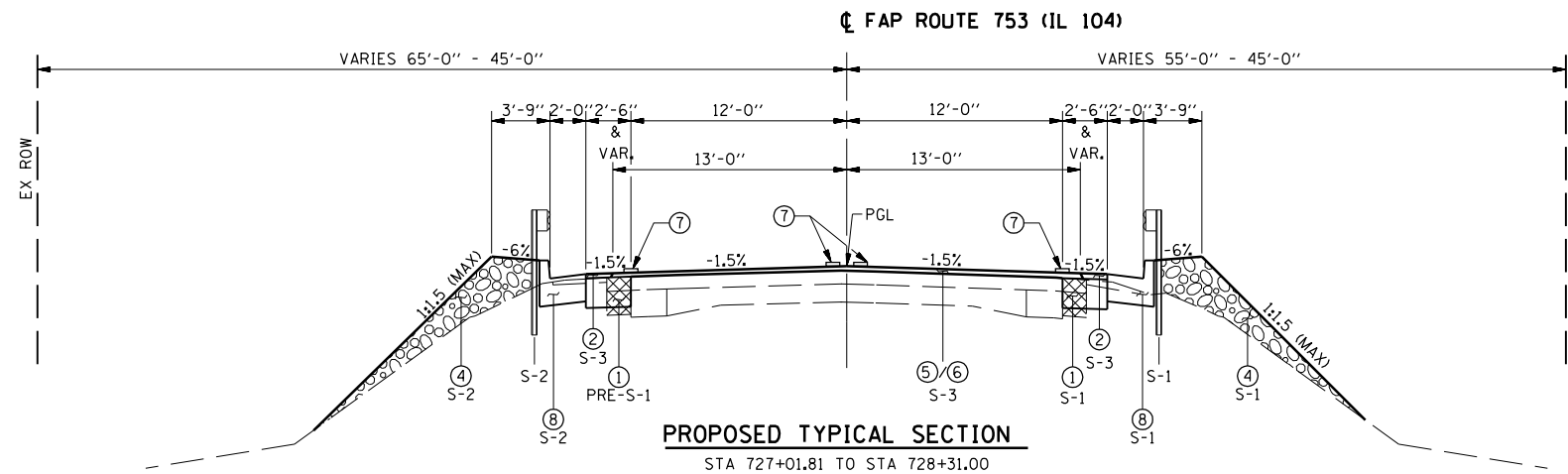
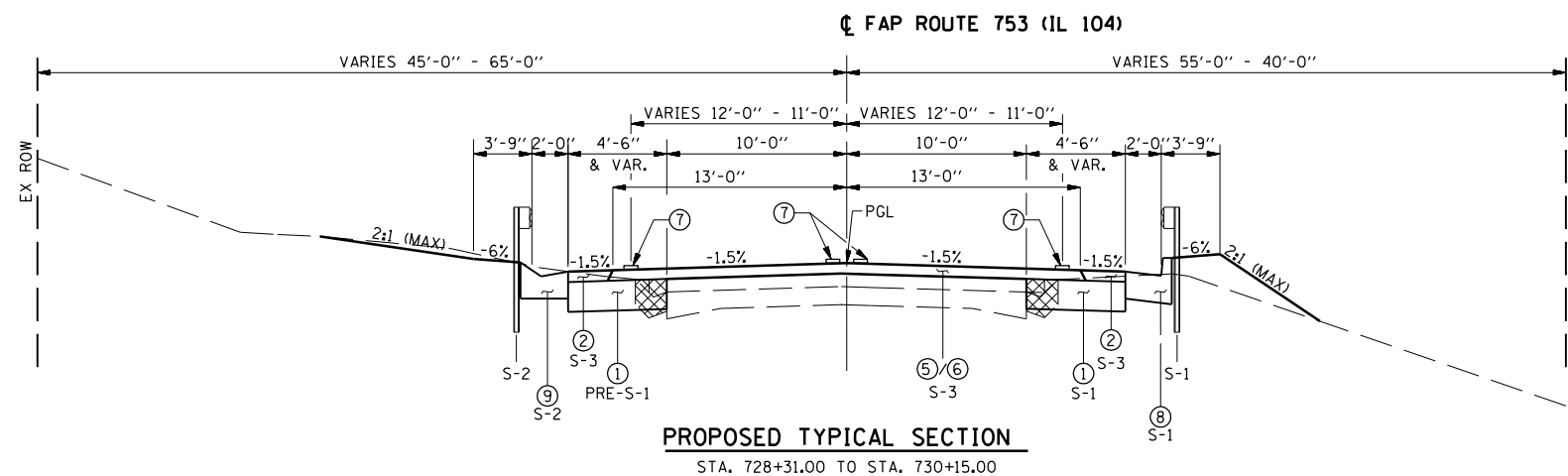


F.A.P. RTE.	SECTION	COUNTY	TOTAL SHEETS	SHEET NO.
753	128(BR-1)	MORGAN	40	14
STA.		TO STA.		
FED. ROAD DIST. NO.	ILLINOIS	FED. AID PROJECT		



- LEGEND**
- ① PROPOSED HOT MIX ASPHALT BASE COURSE WIDENING, 10"
 - ② PROPOSED HOT-MIX ASPHALT SHOULDERS (1 1/2" & VAR)
 - ③ PROPOSED AGGREGATE SHOULDERS, TYPE B
 - ④ PROPOSED STONE DUMPED RIP-RAP, CLASS A-4 (SPECIAL)
 - ⑤ PROPOSED HOT MIX ASPHALT SURFACE COURSE, MIX "C", N50 (1 1/2")
 - ⑥ PROPOSED LEVELING BINDER (MACHINE METHOD), N50 (VAR)
 - ⑦ PROPOSED PAINT PAVEMENT MARKING, LINE 5"
 - ⑧ PROPOSED COMBINATION CONCRETE CURB AND GUTTER, TYPE B-6.24
 - ⑨ PROPOSED CONCRETE GUTTER, TYPE A



NOTE:
SEE PLAN VIEW FOR GUARDRAIL
LOCATIONS AND SHOULDER TAPERS.

REVISIONS	
NAME	DATE

ILLINOIS DEPARTMENT OF TRANSPORTATION

PROPOSED
TYPICAL SECTIONS

DATE: 02/28/07
DRAWN BY JCW
CHECKED BY JRB