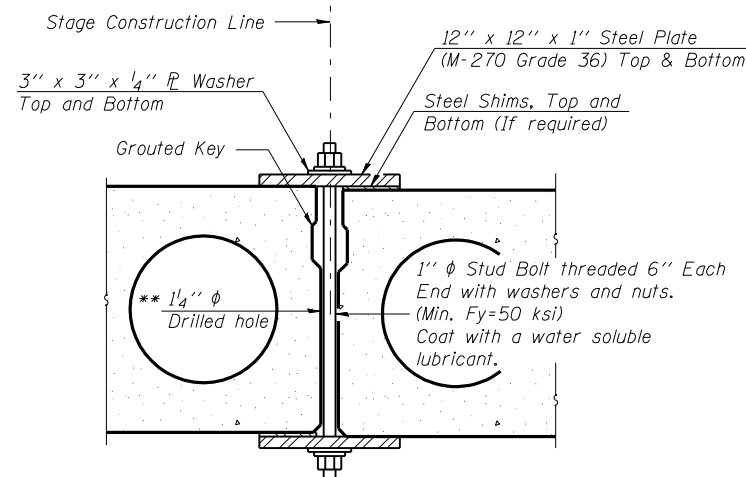
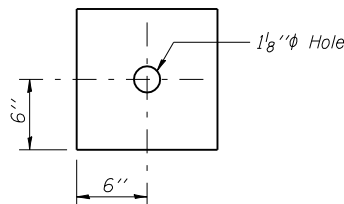


PLAN



SECTION



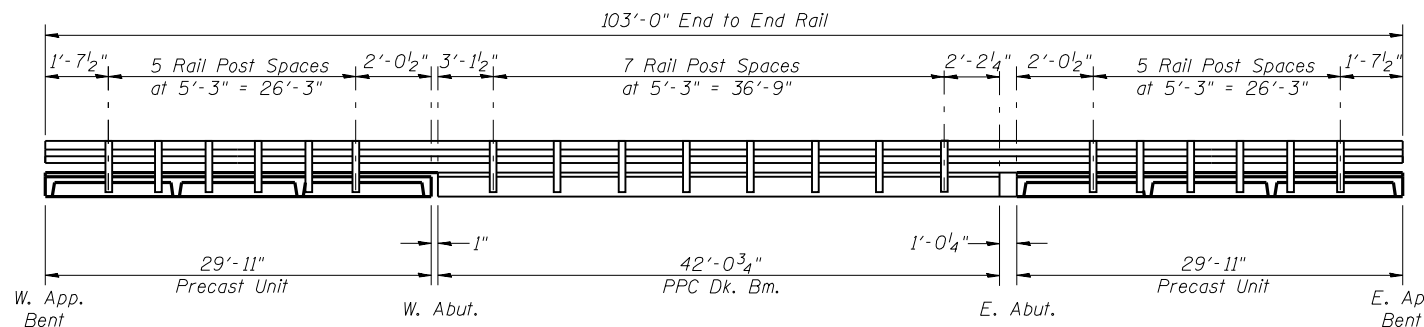
CLAMPING PLATE

SHEAR KEY CLAMPING DETAILS AT STAGE CONST. JT.

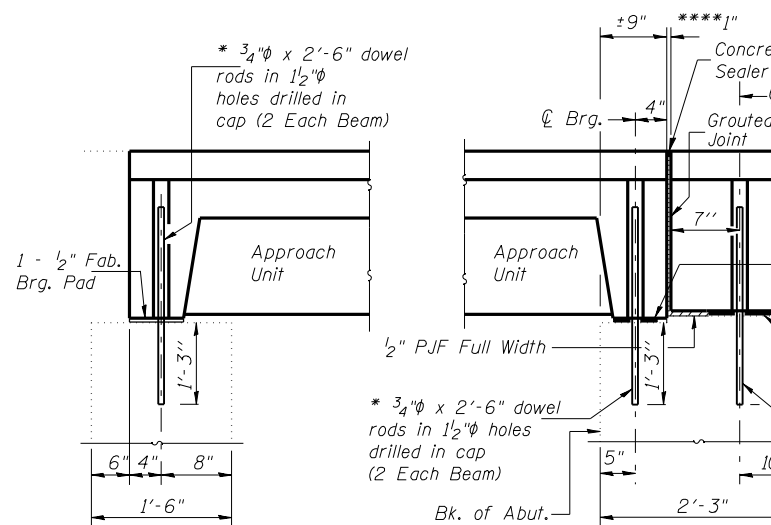
Cost included with Precast Prestressed Concrete Deck Beams.
See Stage Construction Details for traffic lanes.
Stage construction of Precast Prestressed Concrete Deck Beams shall be according to Article 504.06(d) of the Standard Specifications.

** As an alternate to the drilled holes, the Contractor may request the Fabricator to cast 2'' diameter semi-circular recesses in the sides of each beam adjacent to the stage construction line. These recesses should align to form a hole at the appropriate locations for the clamping device bolts. If the Contractor elects to use this alternate, the details shall be identified on the shop drawings.

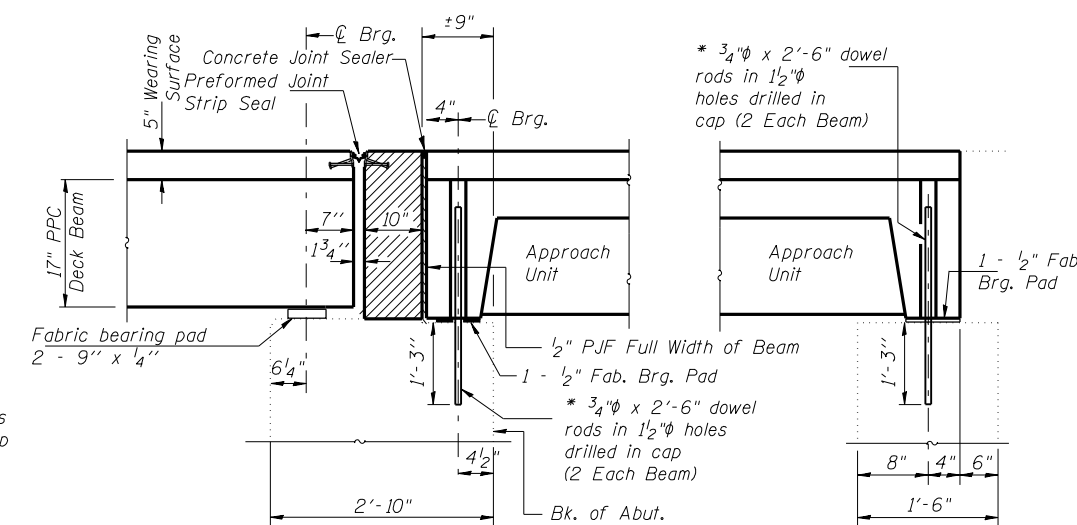
DESIGNED	BAN
CHECKED	JOH
DRAWN	TC
CHECKED	BAN



RAIL POST SPACING

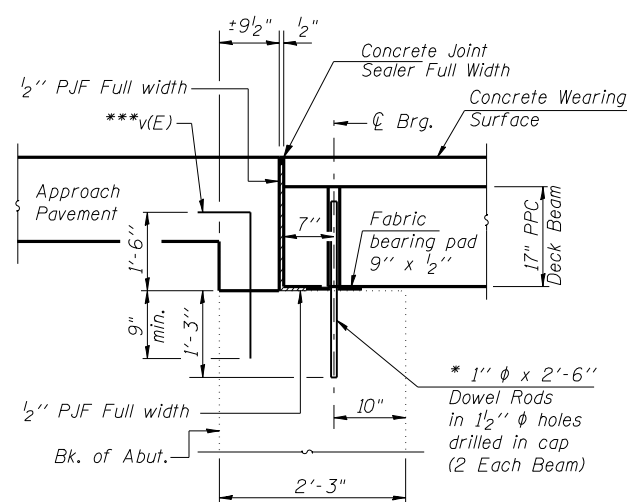


SECTION THRU WEST ABUTMENT AT OUTSIDE BEAM

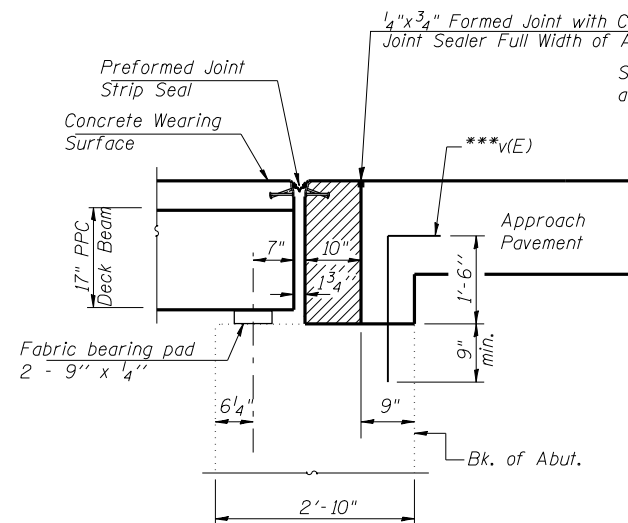


SECTION THRU EAST ABUTMENT AT OUTSIDE BEAM

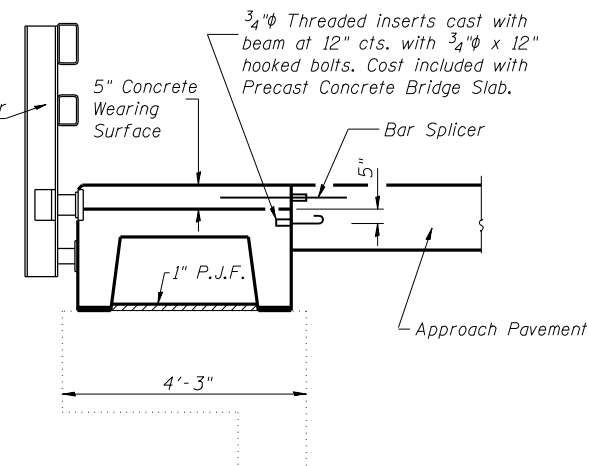
***Epoxy grout bars (E) in 9'' min. drilled holes according to Section 584 of the Standard Specifications.
****1'' joint shall be packed with a very dry mix of 2:1 sand and PC mortar. 1'' dimension may vary plus or minus to accommodate tolerances in beam lengths.



SECTION THRU WEST ABUTMENT AT ROADWAY



SECTION THRU EAST ABUTMENT AT ROADWAY



TYPICAL APPROACH SECTION NEAR BENT

* Existing Dowel Rods shall be burned off flush with the top of existing concrete, ground smooth, and sealed with epoxy. Cost to be included in the cost of Removal of Existing Superstructures/Removal of Existing Precast Units. After beams have been erected, holes shall be drilled into substructure and anchor dowels placed. Dowel holes shall be filled with non-shrink grout to top of beam and allowed to cure min. 24 hrs. prior to grouting the shear keys.

Notes:
All horizontal dimensions are at right angles to beam ends.
See sheet 5 of 12 for bearing pad details.
Hatched area shall be poured after Concrete Wearing Surface is in place and cured.

SUPERSTRUCTURE DETAILS
F.A.P. 753 (ILL 104) OVER
WOODS CREEK
SECTION 128BR-1
MORGAN COUNTY
STATION 726+50.29
STR. NO. 069-0022

HUTCHISON ENGINEERING, INC.
JACKSONVILLE, ILLINOIS
Rev: _____ Date: _____