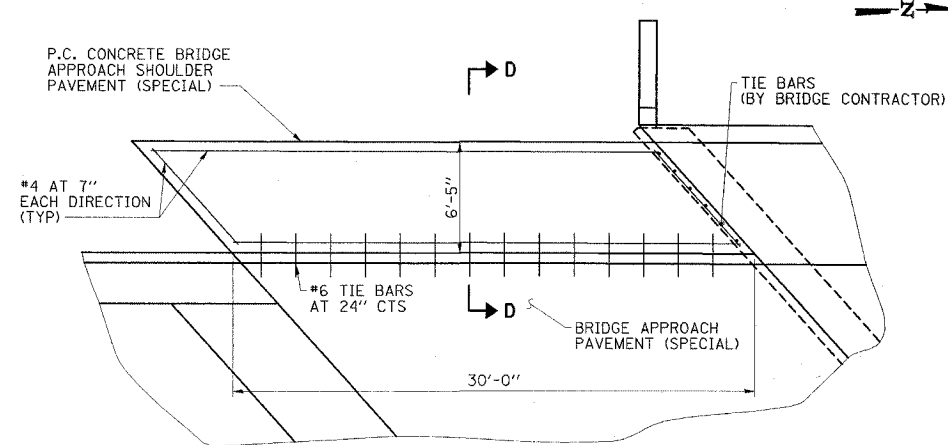


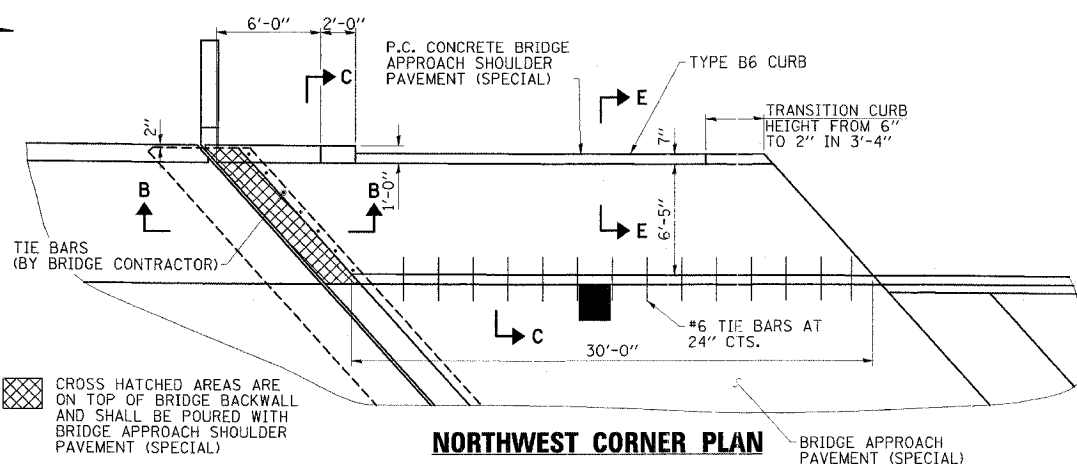


CONTRACT NO. 74166

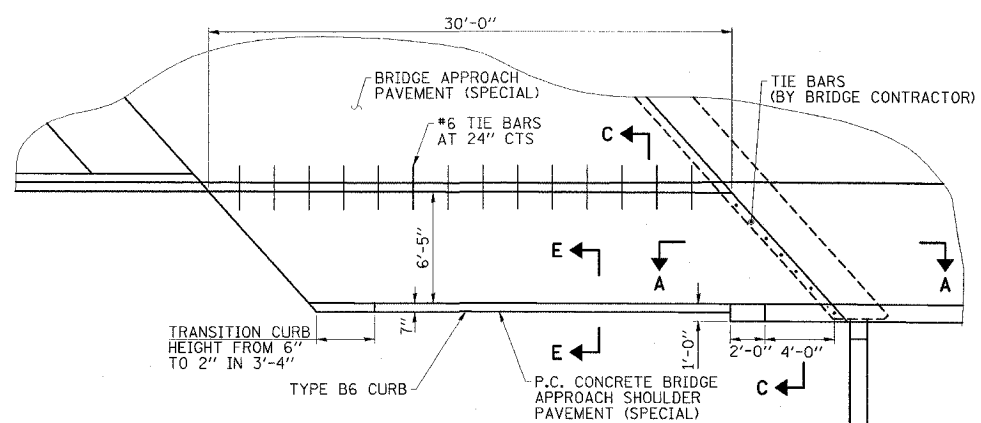
FAP RTE	SECTION	COUNTY	TOTAL SHEETS	SHEET NO.
716	(130BR-1)B-1	MACON	95	31
STA.		TO STA.		
FED. ROAD DIST. NO.		ILLINOIS FED. AID PROJECT		



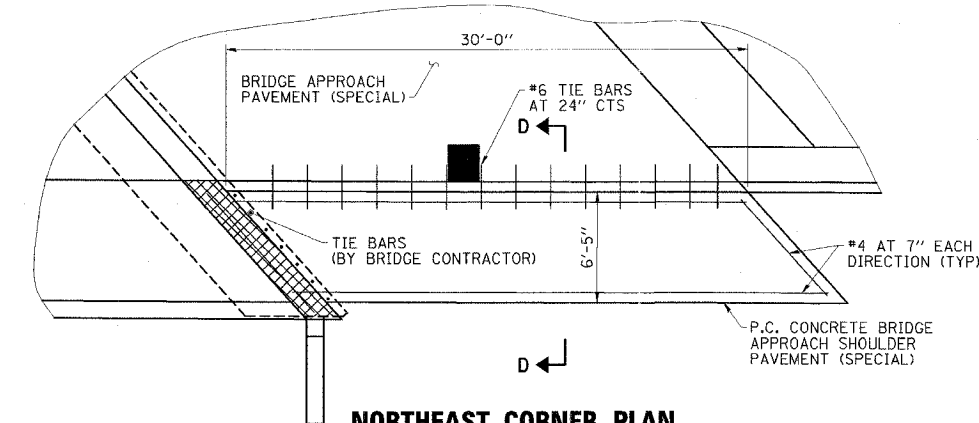
SOUTHWEST CORNER PLAN



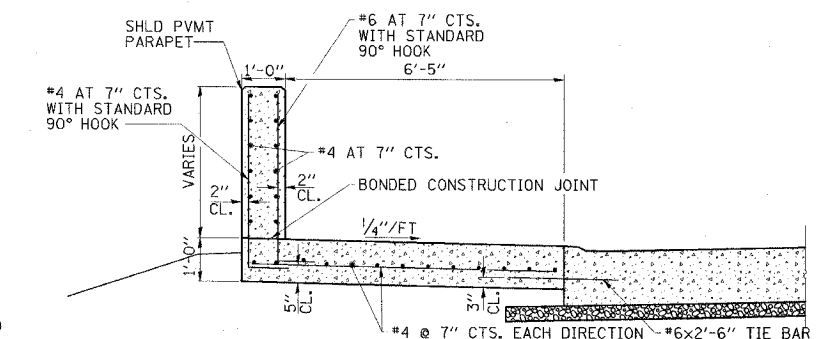
NORTHWEST CORNER PLAN



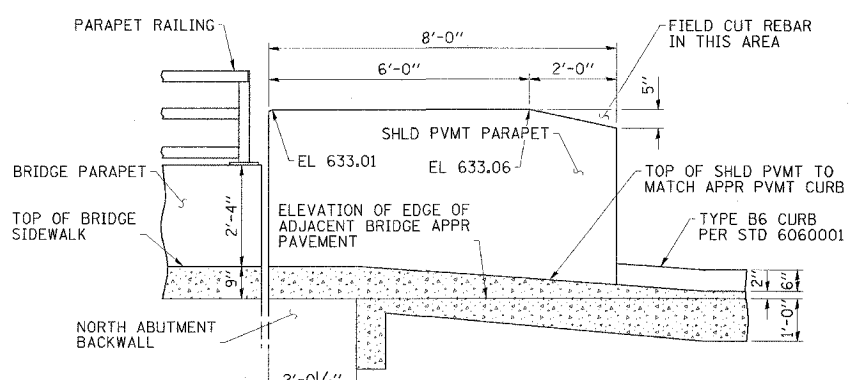
SOUTHEAST CORNER PLAN



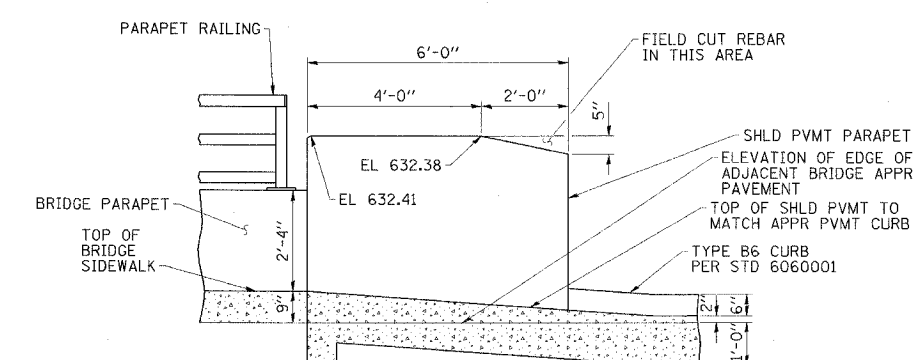
NORTHEAST CORNER PLAN



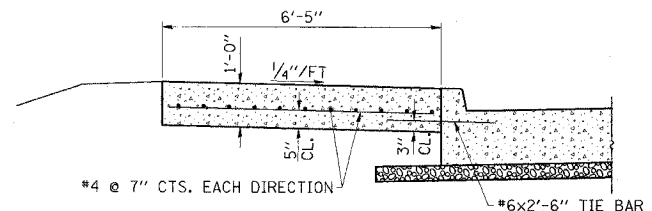
SECTION C-C



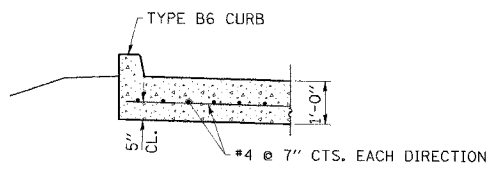
SECTION B-B



SECTION A-A



SECTION D-D



SECTION E-E

- NOTES**
1. ALL REINFORCEMENT SHALL BE EPOXY COATED AND INCLUDED IN THE COST OF P.C. CONCRETE BRIDGE APPROACH SHOULDER PAVEMENT (SPECIAL).
 2. LOCATE REBAR IN PARAPET TO CLEAR ANCHOR BOLTS FOR TYPE 6 TRAFFIC BARRIER TERMINALS, SEE STD 631031 FOR LOCATIONS.
 3. THE COST OF THE APPROACH SHOULDER PARAPET AND CURB AS WELL AS THE PAVEMENT PORTION POURED ON TOP OF THE NORTH ABUTMENT BACKWALL SHALL BE INCLUDED IN P.C. CONCRETE BRIDGE APPROACH SHOULDER PAVEMENT (SPECIAL).

ESCA
CONSULTANTS, INC.

DESIGNED BY:	ELH	05/07
DRAWN BY:	JPC/HAS	05/07
CHECKED BY:	ELH	06/07
APPROVED BY:	RDP	06/07

BRIDGE APPROACH SHOULDER PAVEMENT (SPECIAL)
FAP ROUTE 716 (IL 48)
OAKLAND AVENUE
SECTION (130BR-1)B-1
MACON COUNTY