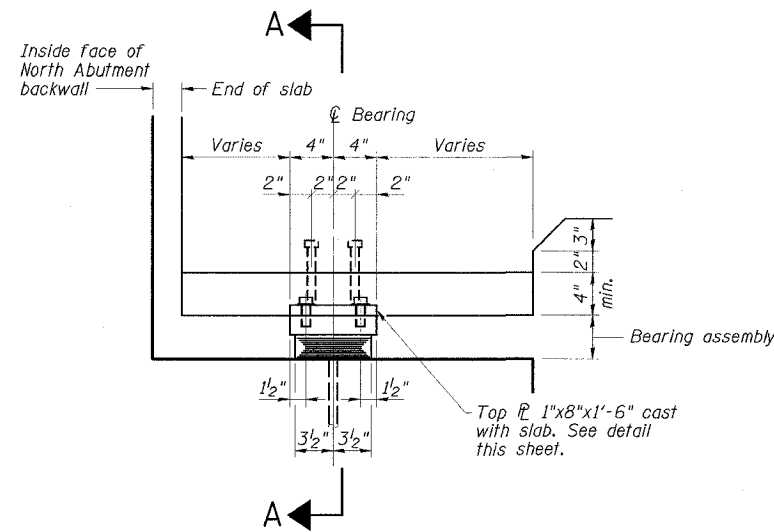


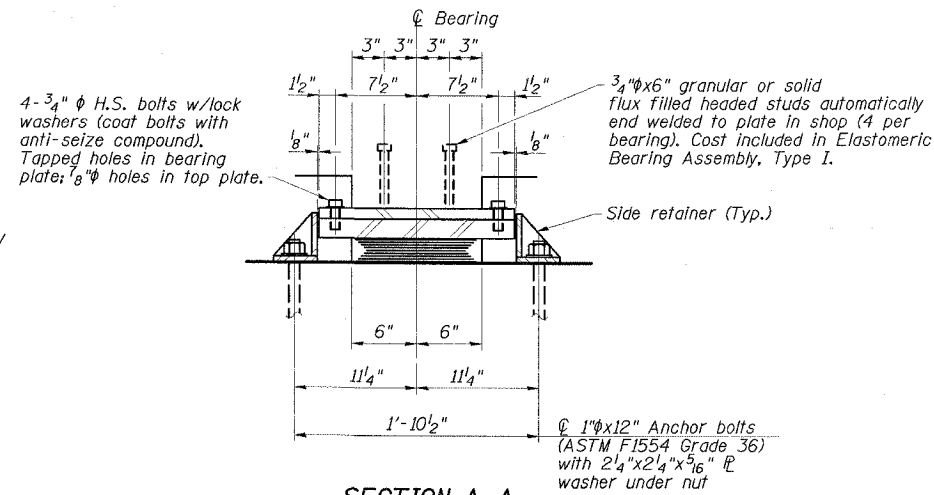
STATE OF ILLINOIS  
DEPARTMENT OF TRANSPORTATION

ROUTE NO.	SECTION	COUNTY	SHEET	SHEET NO.
FAP 716	*	MACON	95	48
FED. ROAD DIST. NO.				ILLINOIS FED. AID PROJECT
CONTRACT NO. 74166				(130BR-1)B-1

28 SHEETS

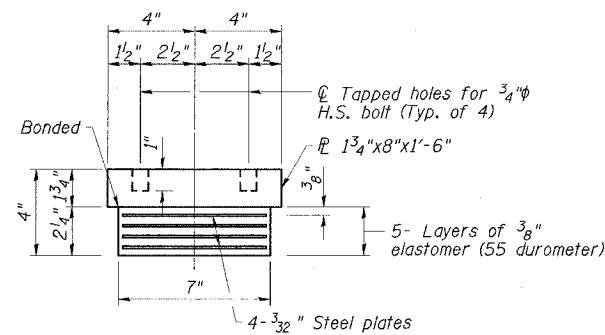


**ELEVATION AT NORTH ABUTMENT**  
(Horizontal dimensions are parallel to  $\phi$  roadway)



**SECTION A-A**  
(Horizontal dimensions are perpendicular to  $\phi$  roadway)

**TYPE I ELASTOMERIC EXPANSION BEARING**



**BEARING ASSEMBLY**

Note:  
Shim plates shall not be placed under bearing assembly

**Notes:**

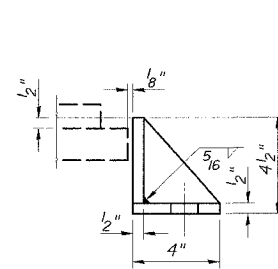
Anchor bolts shall be ASTM F1554 all-thread (or an Engineer-approved alternate material) of the grade(s) and diameter(s) specified. ASTM A307 Grade C anchor bolts may be used in lieu of ASTM F1554 Grade 36 (Fy=36ksi). The corresponding specified grade of AASHTO M314 anchor bolts may be used in lieu of ASTM F1554.

Anchor bolts for side retainers may be cast in place or installed in drilled holes but must be installed prior to casting the slab.

Drilled and set anchor bolts shall be installed according to Article 521.06 of the Standard Specifications.

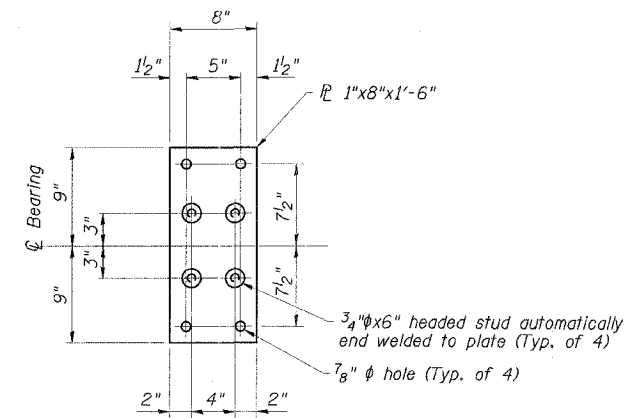
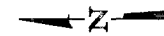
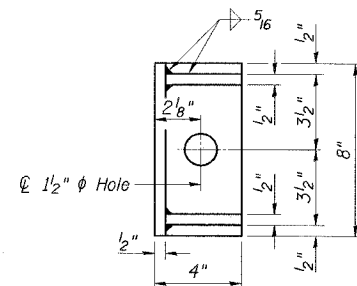
All embedded and separate bearing plates, side retainers, anchor bolts, nuts, washers, and stud bolts shall be galvanized according to AASHTO M111 or M232 (as applicable).

Side retainers, plates, and other steel members required for the bearing assembly shall be included in the cost of Elastomeric Bearing Assembly, Type I.



**SIDE RETAINER**

Equivalent rolled angle with stiffeners will be allowed in lieu of welded plates.



**TOP PLATE DETAIL**

**BILL OF MATERIAL**

Item	Unit	Total
Elastomeric Bearing Assembly, Type I	Each	16
Anchor Bolts 1" $\phi$	Each	32

**BEARING DETAILS**  
**IL ROUTE 48**  
**OVER SPRING CREEK**  
**FAP ROUTE 716-SECTION (130BR-1)B-1**  
**MACON COUNTY**  
**STATION 135+77.11**  
**STRUCTURE NO. 058-0135**

**ESCA**  
CONSULTANTS, INC.

DESIGNED BY:	ELH	03/07
DRAWN BY:	HAS	03/07
CHECKED BY:	ELH	03/07
APPROVED BY:	RDP	03/07