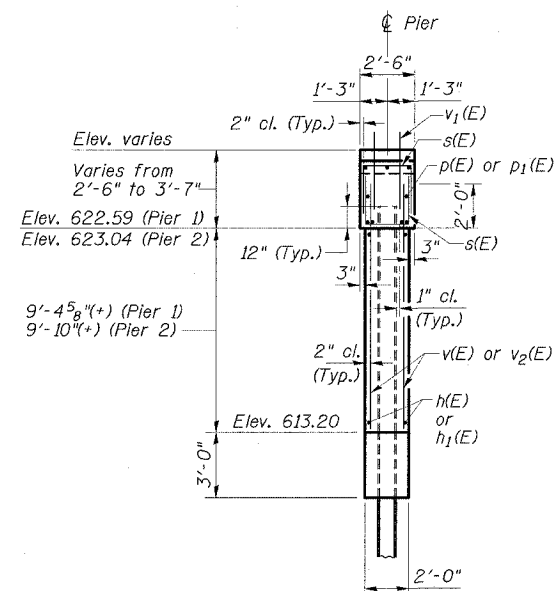


STATE OF ILLINOIS
DEPARTMENT OF TRANSPORTATION

ROUTE NO.	SECTION	COUNTY	DISTRICT	SHEET	SHEET NO. 20
FAP 716	#	MACON	95	54	28 SHEETS
FED. ROAD DIST. NO. 1	S.I. DIST.	FED. AID PROJECT	AID		
					CONTRACT NO. 74166 *130BR-1B-1



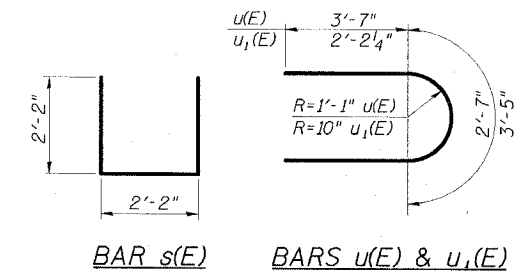
END VIEW
PIER 1 & PIER 2

PIER 1
BILL OF MATERIAL

Bar	No.	Size	Length	Shape
h(E)	40	#5	29'-6"	—
h ₁ (E)	40	#5	28'-4"	—
p(E)	18	#7	30'-0"	—
p ₁ (E)	18	#7	28'-11"	—
s(E)	204	#4	6'-6"	□
u(E)	6	#6	10'-7"	U
u ₁ (E)	20	#5	7'-0"	U
v(E)	232	#5	11'-2"	—
v ₁ (E)	214	#5	3'-6"	—
Reinforcement Bars, Epoxy Coated			Pound	9200
Concrete Structures			Cu. Yd.	113.1
Structure Excavation			Cu. Yd.	121
Furnishing Steel Piles HPI0x42			Foot	1350
Driving Piles			Foot	1350
Test Pile Steel HPI0x42			Each	1
Underwater Structure Excavation Protection-Location 1			Each	1
Bar Splicers			Each	29
Concrete Encasement			Cu. Yd.	9.1
Pile Shoes			Each	26

PIER 2
BILL OF MATERIAL

Bar	No.	Size	Length	Shape
h(E)	40	#5	29'-6"	—
h ₁ (E)	40	#5	28'-4"	—
p(E)	18	#7	30'-0"	—
p ₁ (E)	18	#7	28'-11"	—
s(E)	204	#4	6'-6"	□
u(E)	6	#6	10'-7"	U
u ₁ (E)	20	#5	7'-0"	U
v ₁ (E)	214	#5	3'-6"	—
v ₂ (E)	232	#5	11'-7"	—
Reinforcement Bars, Epoxy Coated			Pound	9300
Concrete Structures			Cu. Yd.	116.9
Structure Excavation			Cu. Yd.	163
Furnishing Steel Piles HPI0x42			Foot	1675
Driving Piles			Foot	1675
Underwater Structure Excavation Protection-Location 2			Each	1
Bar Splicers			Each	29
Concrete Encasement			Cu. Yd.	9.1
Pile Shoes			Each	26
Test Pile Steel HPI0x42			Each	1



ESCA
CONSULTANTS, INC.

DESIGNED BY:	ELH	03/07
DRAWN BY:	oj	03/07
CHECKED BY:	ELH	06/07
APPROVED BY:	RDP	06/07

PIER DETAILS
IL ROUTE 48
OVER SPRING CREEK
FAP ROUTE 716 - SECTION (130BR-1B-1)
MACON COUNTY
STATION 135+77.11
STRUCTURE NO. 058-0135