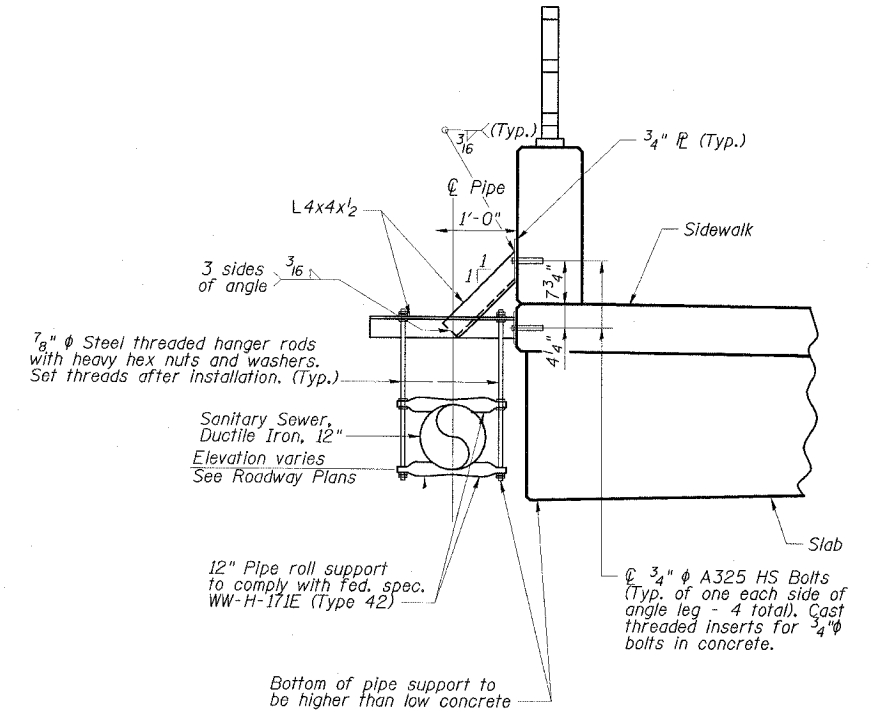


STATE OF ILLINOIS
DEPARTMENT OF TRANSPORTATION

ROUTE NO.	SECTION	COUNTY	SHEET #	SHEET	SHEET NO.
FAP 716	#	MACON	95	55	28 SHEETS
FED. ROAD DIST. NO. *	ILLINOIS	FED. AID PROJECT#	ASD		

CONTRACT NO. 74165 * (130BR-1)B-1



PIPE SUPPORT DETAILS
(Provide supports at 9'-0" max. centers)

PIPE SUPPORT NOTES

1. All hanger rods, angles, washers, nuts, and plates shall be stainless steel. Bolts, inserts, and other permanent pipe support items shall be galvanized.
2. All structural steel angles and plates for pipe supports shall be Type 304 stainless steel with a minimum yield strength of 38 ksi.
3. The cost of all materials, labor, and equipment necessary to install the pipe supports on the proposed bridge shall be included in Pipe Support.

SANITARY SEWER SUPPORT DETAILS
IL ROUTE 48
OVER SPRING CREEK
FAP ROUTE 716 - SECTION (130BR-1)B-1
MACON COUNTY
STATION 135+77.11
STRUCTURE NO. 058-0135

ESCA CONSULTANTS, INC.		
DESIGNED BY:	ELH	04/07
DRAWN BY:	HAS	04/07
CHECKED BY:	ELH	06/07
APPROVED BY:	RDP	06/07