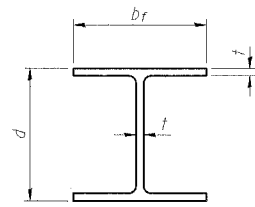


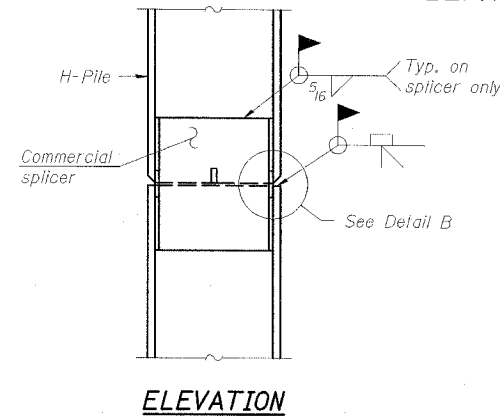
STATE OF ILLINOIS
DEPARTMENT OF TRANSPORTATION

ROUTE NO.	SECTION	COUNTY	SHEETS	POST	SHEET NO. 26
FAP 716	#	MACON	95	60	28 SHEETS
FED. ROAD DIST. NO.		ILLINOIS	FED. AID PROJECT		CONTRACT NO. 74166
				* (130BR-1)B-1	

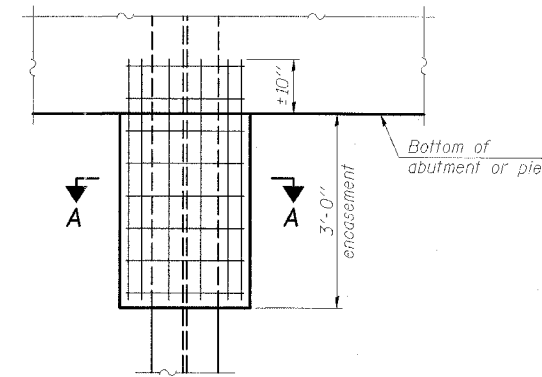


STEEL PILE TABLE

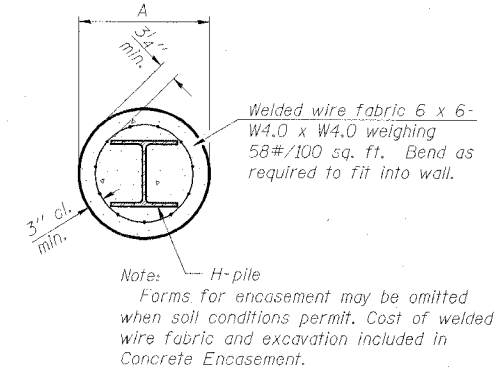
Designation	Depth d	Flange width bf	Web and Flange thickness t	Encasement diameter A
HP 14x117	14 1/4"	14 7/8"	5/8"	30"
x102	14"	14 3/4"	5/8"	30"
x89	13 7/8"	14 3/4"	5/8"	30"
x73	13 5/8"	14 5/8"	1/2"	30"
HP 12x84	12 1/2"	12 1/4"	5/8"	24"
x74	12 1/2"	12 1/4"	5/8"	24"
x63	12"	12 5/8"	1/2"	24"
x53	11 3/4"	12"	7/16"	24"
HP 10x57	10"	10 1/2"	9/16"	24"
x42	9 3/4"	10 5/8"	7/16"	24"
HP 8x36	8"	8 1/8"	7/16"	18"



ELEVATION



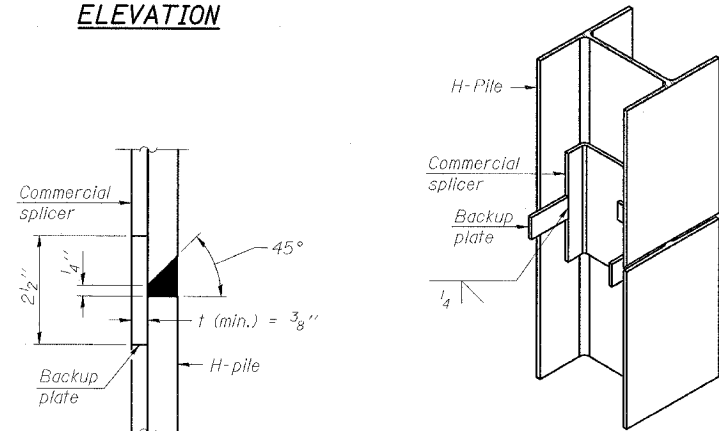
ELEVATION



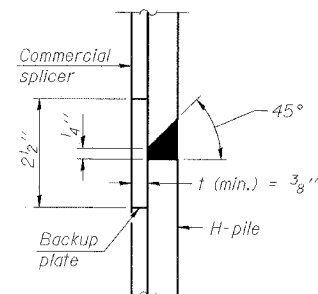
SECTION A-A

Note: Forms for encasement may be omitted when soil conditions permit. Cost of welded wire fabric and excavation included in Concrete Encasement.

PILE ENCASEMENT

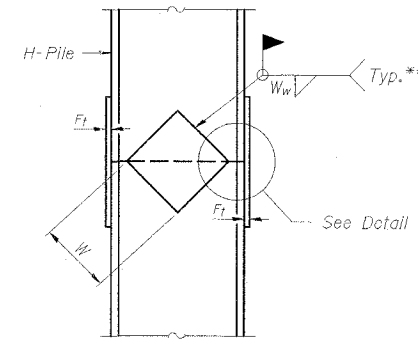


ISOMETRIC VIEW

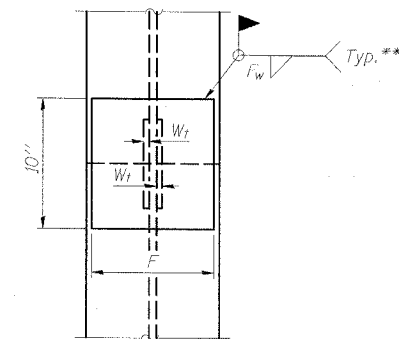


DETAIL "B"

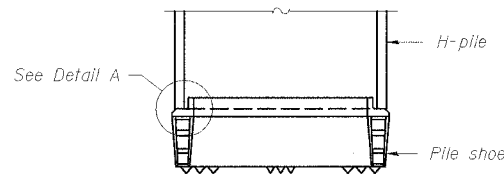
WELDED COMMERCIAL SPLICE



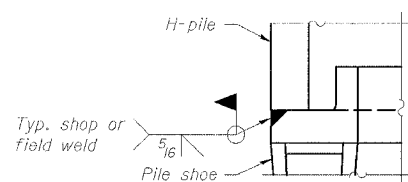
ELEVATION



END VIEW

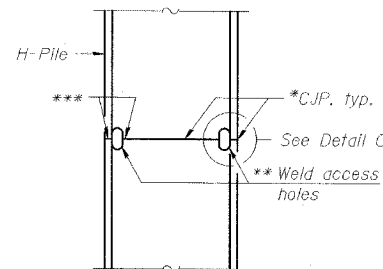


ELEVATION

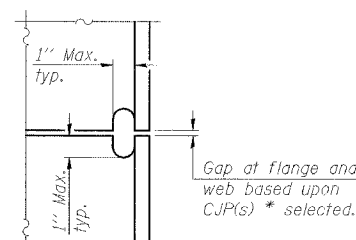


DETAIL A

H-PILE SHOE ATTACHMENT

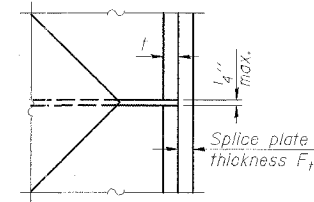


ELEVATION



DETAIL C

COMPLETE PENETRATION WELD SPLICE



DETAIL D

WELDED PLATE FIELD SPLICE

Designation	F	F ₁	F _w	W	W _t	W _w
HP 14x117	12 1/2"	1"	7/8"	7 3/4"	5/8"	1/2"
x102	12 1/2"	7/8"	3/4"	7 3/4"	5/8"	1/2"
x89	12 1/2"	3/4"	9/16"	7 3/4"	5/8"	1/2"
x73	12 1/2"	5/8"	9/16"	7 3/4"	5/8"	1/2"
HP 12x84	10"	7/8"	1/2"	6 1/2"	5/8"	1/2"
x74	10"	7/8"	1/2"	6 1/2"	5/8"	1/2"
x63	10"	5/8"	1/2"	6 1/2"	1/2"	3/8"
x53	10"	5/8"	1/2"	6 1/2"	1/2"	3/8"
HP 10x57	8"	3/4"	9/16"	5 1/4"	1/2"	3/8"
x42	8"	5/8"	9/16"	5 1/4"	1/2"	3/8"
HP 8x36	7"	5/8"	7/16"	4 1/4"	1/2"	3/8"

STEEL H-PILE DETAILS

IL ROUTE 48

OVER SPRING CREEK

FAP ROUTE 716-SECTION (130BR-1)B-1

MACON COUNTY

STATION 135+77.11

STRUCTURE NO. 058-0135

* Use joint conforming to Figure 3.4 in AWS D1.1, Structure Welding Code - Steel.

** Preparation per Fig. 5.2 in AWS D1.1, Structure Welding Code - Steel.

*** Interrupt welds 1/4" from end of each pile.

Note:
The steel H-piles shall be according to AASHTO M270 Grade 50.

ESCA
CONSULTANTS, INC.

DESIGNED BY:	ELH	03/07
DRAWN BY:	HAS	03/07
CHECKED BY:	ELH	03/07
APPROVED BY:	RDP	03/07