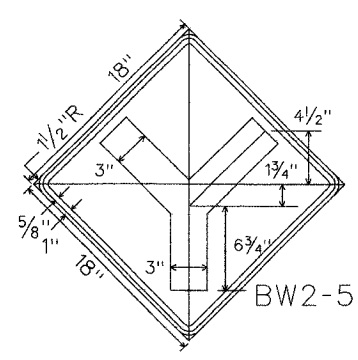
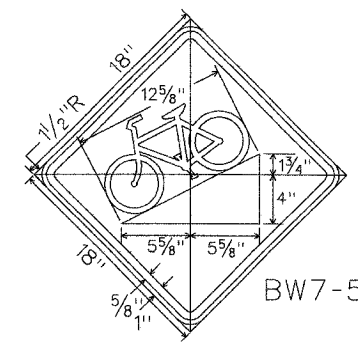


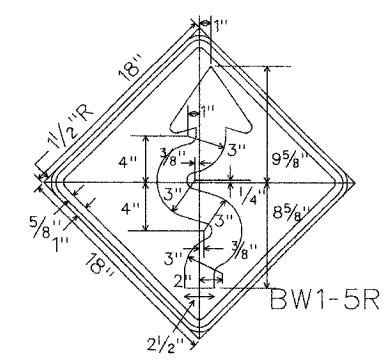
SECTION	COUNTY	TOTAL SHEETS	SHEET NO.
00-00048-00-BT	COOK	39	16
STA. 9+95	TO STA. 31+58		
FED. ROAD DIST. NO. 1	ILLINOIS	FED. AID PROJECT	
CONTRACT NO. 83864			



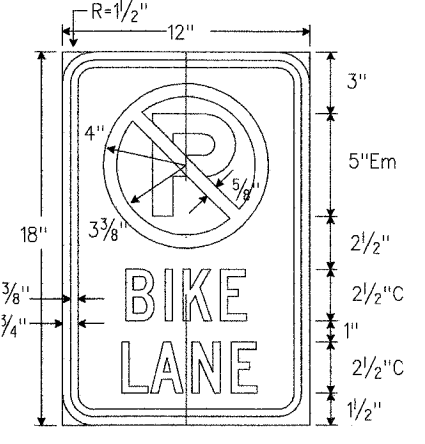
BW2-5



BW7-5

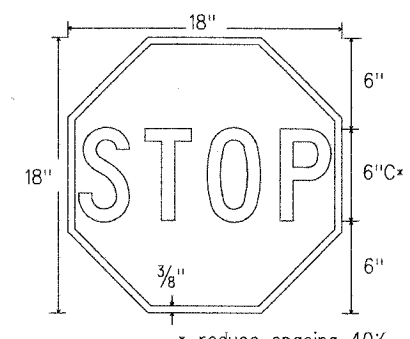


BW1-5R



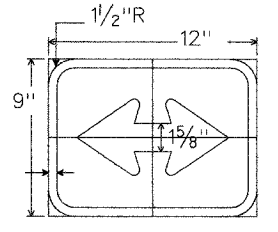
R7-9a

Legend, Circle & Dia. - Red (Ref.)  
 Border, Letter "P" - Black  
 Background - White (Ref.)

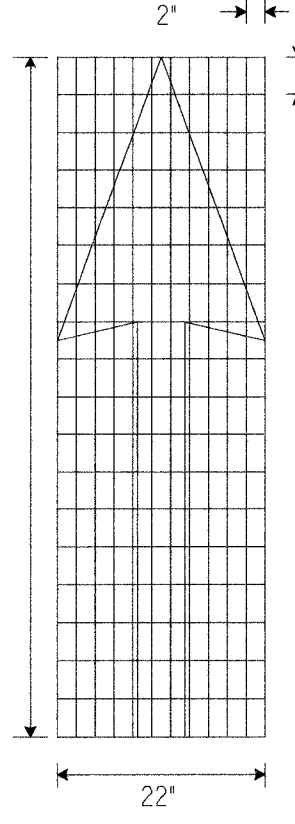


BR1-1

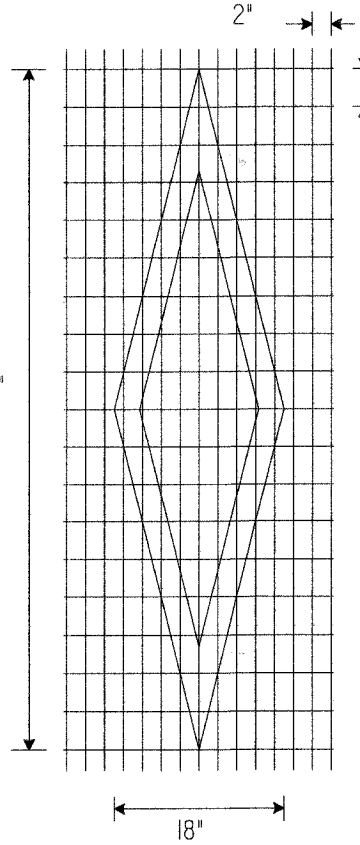
\* reduce spacing 40%  
 Legend - White (ref.)  
 Background - Red (ref.)



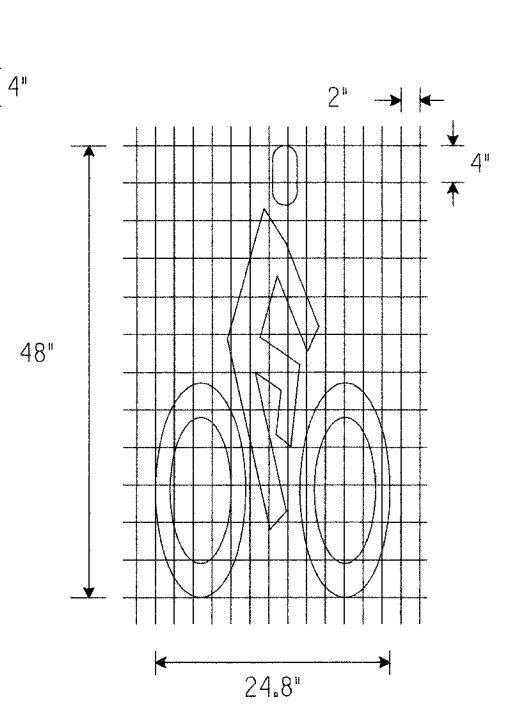
M7-5G



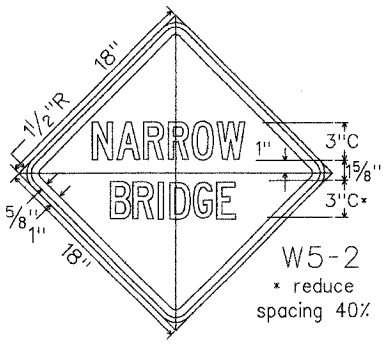
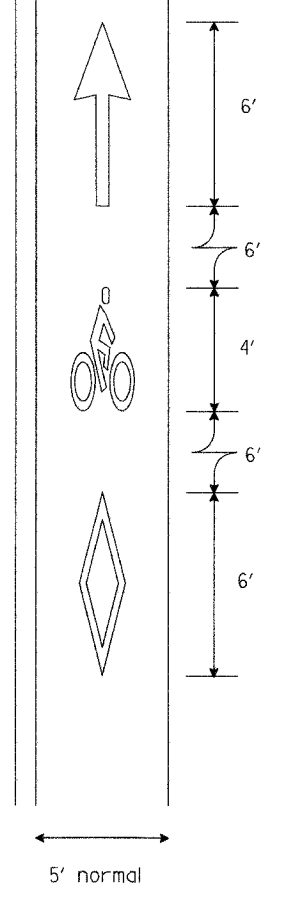
22"



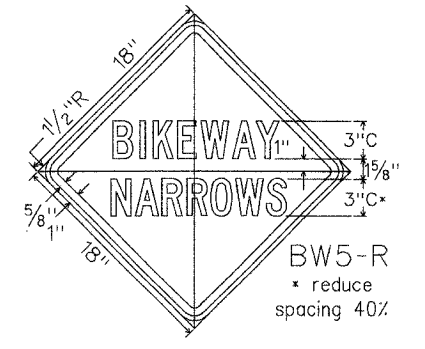
18"



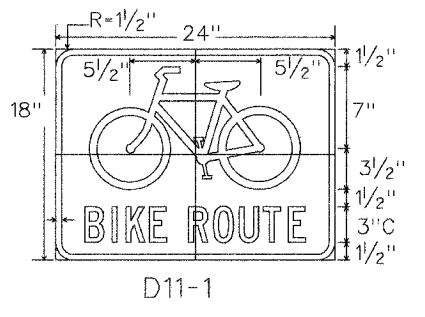
24.8"



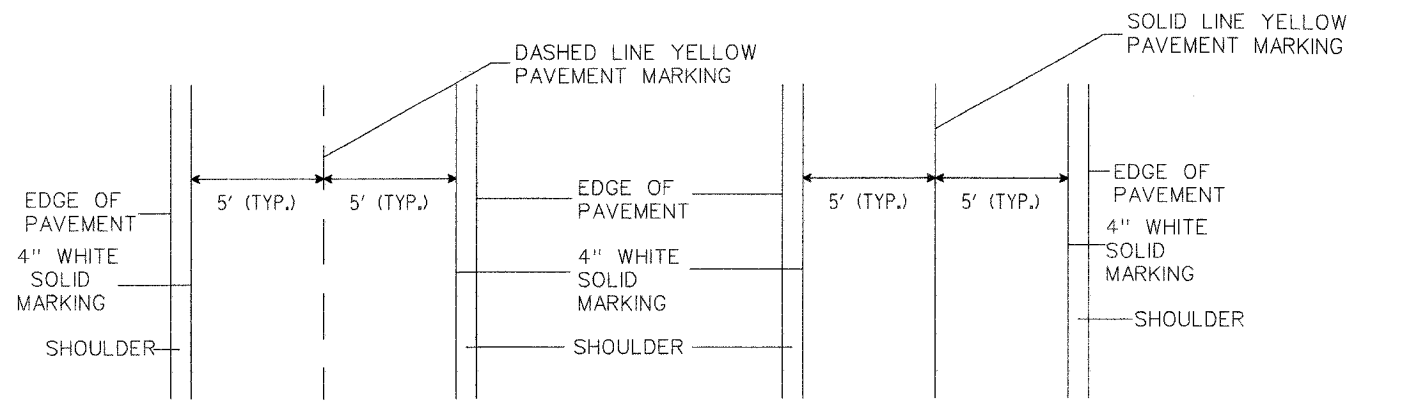
W5-2  
 \* reduce spacing 40%



BW5-R  
 \* reduce spacing 40%



D11-1



TYPICAL STRIPING FOR:  
 STA 9+95 TO STA 23+00;  
 STA 29+81 TO STA 31+13

TYPICAL STRIPING FOR:  
 STA 23+00 TO STA 29+81

REVISIONS	
NAME	DATE

ILLINOIS DEPARTMENT OF TRANSPORTATION  
 PRESERVATION BIKE PATH  
 SIGNS & BIKE LANE SYMBOLS  
 SCALE: N.T.S.  
 DATE: MAY 04, 2007  
 DRAWN BY: CC  
 CHECKED BY: SC

505 N. LASALLE SUITE 250  
 CHICAGO, IL 60610  
 (312)467-0123

