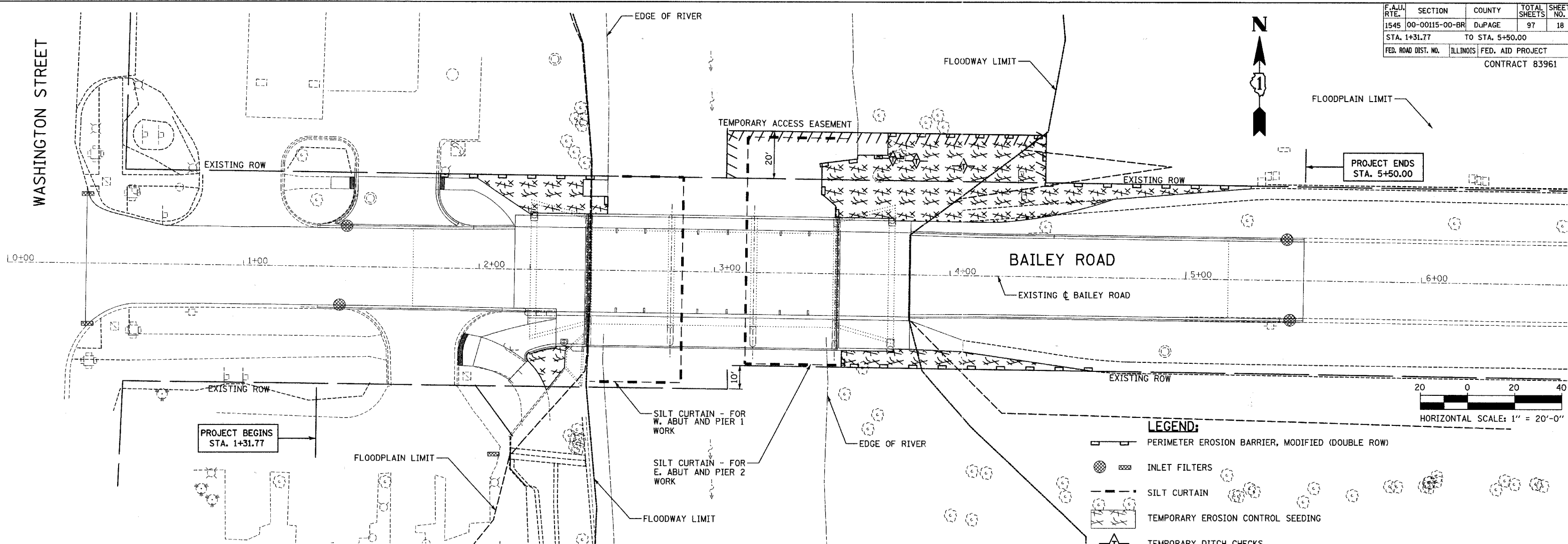


F.A.U. RTE.	SECTION	COUNTY	TOTAL SHEETS	SHEET NO.
1545	00-00115-00-BR	DUPAGE	97	18
STA. 1+31.77		TO STA. 5+50.00		
FED. ROAD DIST. NO.	ILLINOIS	FED. AID PROJECT		CONTRACT 83961

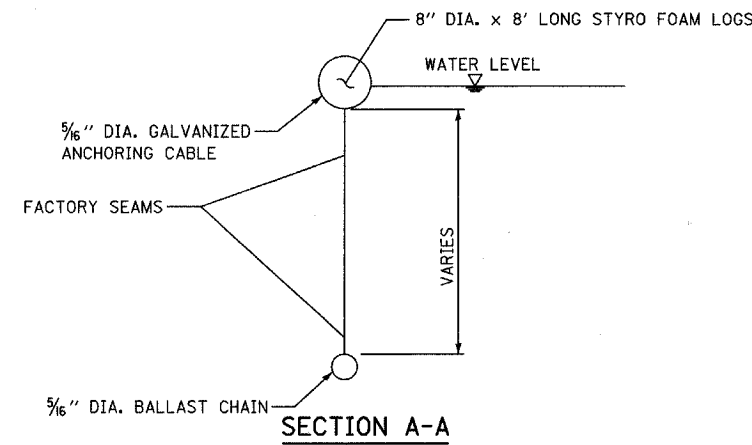


PROJECT BEGINS STA. 1+31.77

PROJECT ENDS STA. 5+50.00

LEGEND:

- PERIMETER EROSION BARRIER, MODIFIED (DOUBLE ROW)
- INLET FILTERS
- SILT CURTAIN
- TEMPORARY EROSION CONTROL SEEDING
- TEMPORARY DITCH CHECKS

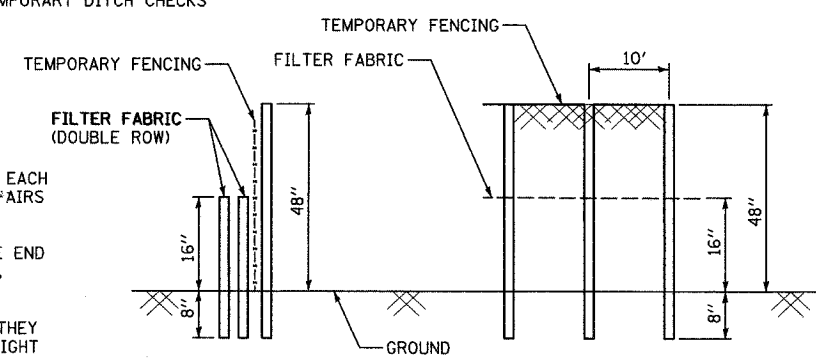


GENERAL NOTES

1. THE SURFACE OF STRIPPED OR DISTURBED AREAS SHALL BE PERMANENTLY OR TEMPORARILY STABILIZED WITHIN 14 DAYS AFTER FINAL GRADE IS REACHED OR WHEN LEFT IDLE FOR MORE THAN 14 DAYS. TEMPORARY EROSION CONTROL AND SEDIMENT CONTROL MEASURES SHALL BE MAINTAINED CONTINUOUSLY UNTIL PERMANENT SOIL EROSION CONTROL MEASURES HAVE BEEN ADEQUATELY ESTABLISHED.
2. STOCKPILES OF SOIL SHALL NOT BE LOCATED IN SPECIAL MANAGEMENT AREAS.
3. IF A STOCKPILE IS TO REMAIN IN PLACE FOR MORE THAN 3 DAYS, THEN EROSION AND SEDIMENT CONTROL SHALL BE PROVIDED FOR SUCH STOCKPILE.
4. ALL TEMPORARY EROSION AND SEDIMENT CONTROL MEASURES SHALL BE REMOVED WITHIN 30-DAYS AFTER FINAL STABILIZATION IS ACHIEVED WITH PERMANENT SOIL STABILIZATION MEASURES. TRAPPED SEDIMENT AND OTHER DISTURBED SOILS RESULTING FROM TEMPORARY MEASURES SHALL BE PROPERLY DISPOSED OF AND THE AREA PERMANENTLY STABILIZED.
5. INLET FILTERS SHALL BE INSPECTED IMMEDIATELY AFTER EACH RAINFALL AND AT LEAST DAILY DURING PROLONGED RAINFALL. ANY REPAIRS SHALL BE MADE IMMEDIATELY. WHEN CLOGGING OCCURS, INLET FILTERS SHALL BE CLEANED OR REPLACED AS DIRECTED BY THE ENGINEER.

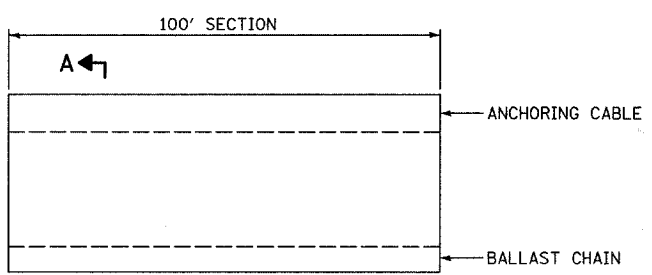
PERIMETER EROSION BARRIER MAINTENANCE

1. PERIMETER EROSION BARRIER SHALL BE INSPECTED IMMEDIATELY AFTER EACH RAINFALL AND AT LEAST DAILY DURING PROLONGED RAINFALL. ANY REPAIRS SHALL BE MADE IMMEDIATELY.
2. SHOULD THE FABRIC DECOMPOSE OR BECOME INEFFECTIVE PRIOR TO THE END OF THE EXPECTED USABLE LIFE AND THE BARRIER IS STILL NECESSARY, THE FABRIC SHALL BE REPLACED PROMPTLY.
3. SEDIMENT DEPOSITS SHOULD BE REMOVED AFTER EACH STORM EVENT. THEY MUST BE REMOVED WHEN DEPOSITS REACH APPROXIMATELY HALF THE HEIGHT OF THE BARRIER.
4. ANY SEDIMENT DEPOSITS REMAINING IN PLACE AFTER THE SILT FENCE OR FILTER BARRIER IS NO LONGER REQUIRED SHALL BE DRESSED TO CONFORM WITH THE EXISTING GRADE, PREPARED AND SEEDDED.



PERIMETER EROSION BARRIER, MODIFIED DETAIL

1. TEMPORARY FENCE SHALL BE FASTENED SECURELY TO THE FENCE POSTS WITH WIRE TIES.
2. FILTER FABRIC SHALL BE FASTENED SECURELY TO THE TEMPORARY FENCE WITH WIRE TIES.



SILT CURTAIN DETAIL
NOT TO SCALE

REVISIONS	
NAME	DATE

BRIDGE REHABILITATION
BAILEY ROAD OVER
WEST BRANCH OF THE DUPAGE RIVER

EROSION CONTROL PLANS

CONSULTANT
TYLIN INTERNATIONAL

City of **Naperville**

DRAWN: RTM
CHECKED: SP
APPROVED:
DATE: JULY 13, 2007
SCALE: 1"=20'-0"
JOB NO.: C-91-062-04

SHEET NO.
18

PROJECT NO.: BHM-8003(343)