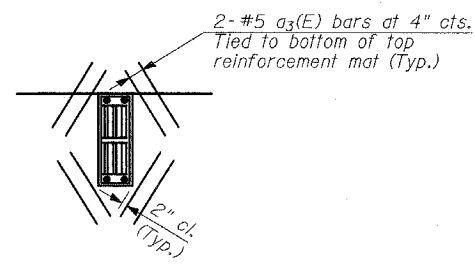
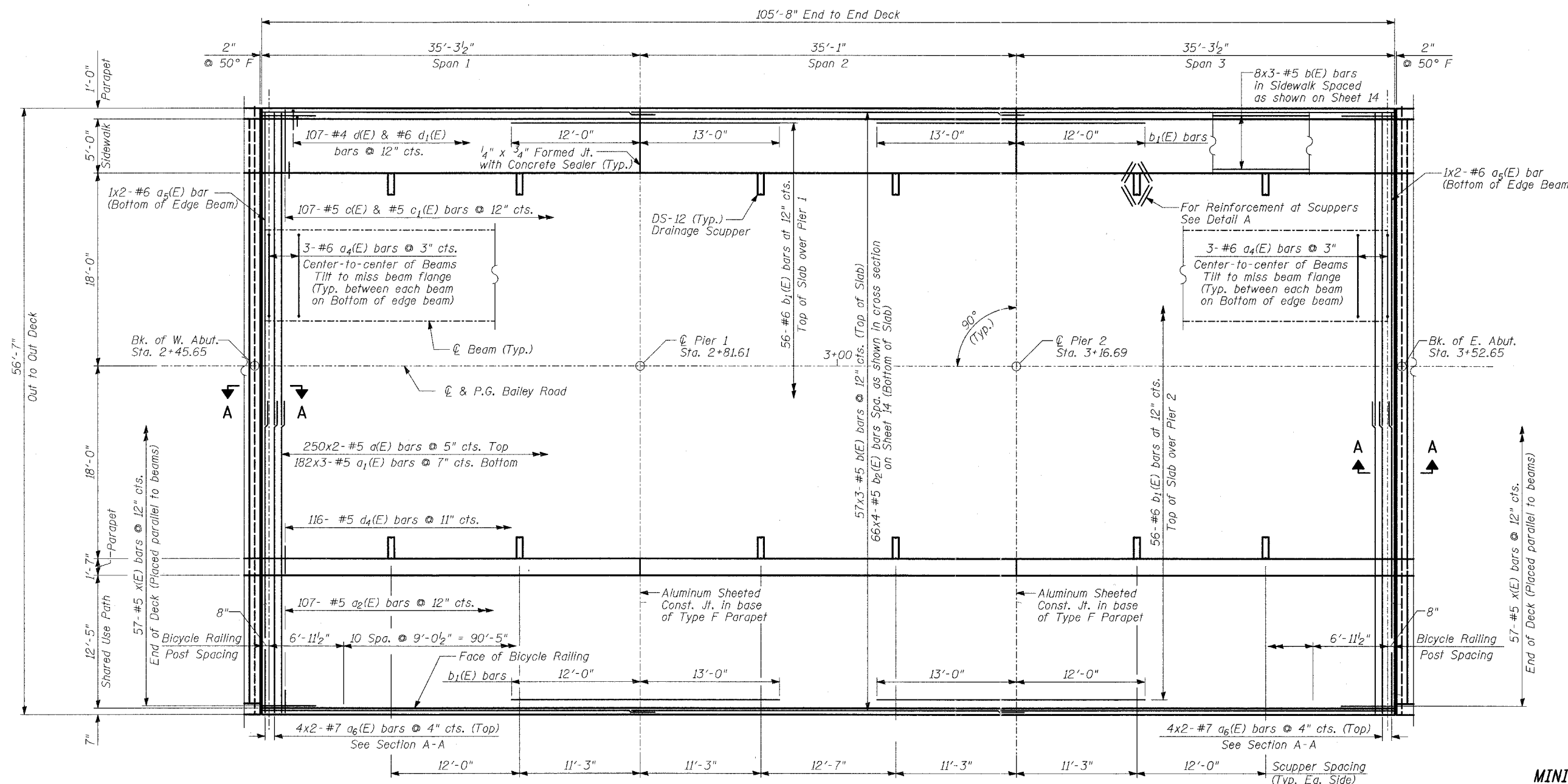


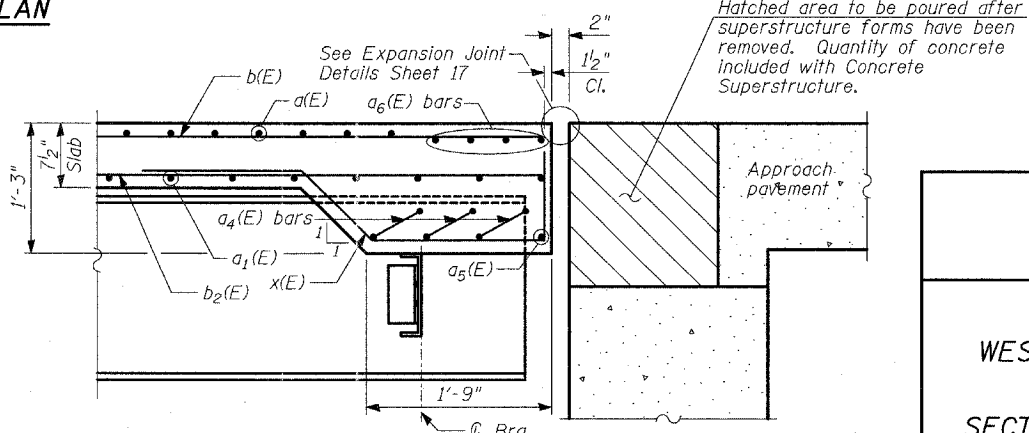
STATE OF ILLINOIS  
DEPARTMENT OF TRANSPORTATION

ROUTE NO.	SECTION	COUNTY	STATE	SHEET NO.	SHEET NO. - 12
1545	*	DUPAGE	97	33	39 - SHEETS
FED. ROAD DIST. NO.	ILLINOIS	FED. AID PROJECT-	CONTRACT NO. 83961		



**DETAIL A**  
Note:  
Cut longitudinal reinforcement to clear drainage scuppers.

**PLAN**



**SECTION A-A**  
Edge Beam Detail

**MINIMUM BAR LAPS**

Bar	Lap
#5	2'-2"
#6	2'-7"
#7	3'-5"

**NOTES:**

- See Sheet 14 for Superstructure Details and Bill of Material.
- Bars indicated thus 20x3-#5 etc. indicates 20 lines of bars with 3 lengths per line.
- See Sheet 13 for Parapet Reinforcement.
- Dimensions are based on a Rolled Rail Strip Seal Joint. If the Contractor elects to use the Welded Rail Strip Seal Joint, deck dimensions may require adjustments to satisfy the details on Sheet 17.

**TYLIN INTERNATIONAL**

DESIGNED	- DE
CHECKED	- SNB
DRAWN	- DE
CHECKED	- SNB

**DECK PLAN**

BAILEY ROAD OVER THE  
WEST BRANCH OF THE DUPAGE RIVER  
FAU 1545  
SECTION 00-00115-00-BR STA. 2+99.15  
DUPAGE COUNTY  
S.N. 022-3028