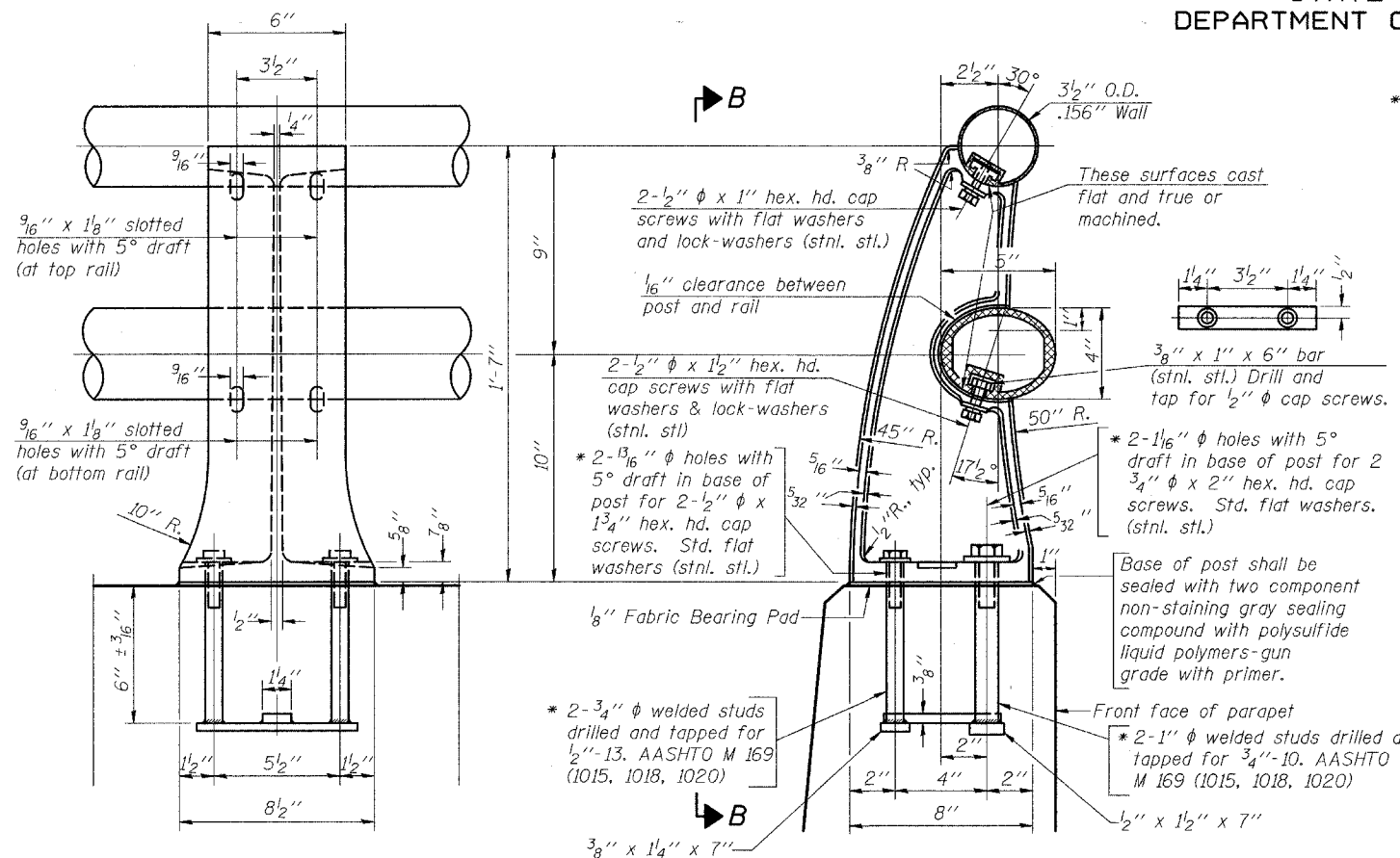


STATE OF ILLINOIS  
DEPARTMENT OF TRANSPORTATION

ROUTE NO.	SECTION	COUNTY	SHEET NO.	SHEET NO. - 15
1545	•	DUPAGE	97	36
FED. ROAD DIST. NO.	ILLINOIS	FED. AID PROJECT		39 - SHEETS
				CONTRACT NO. 83961

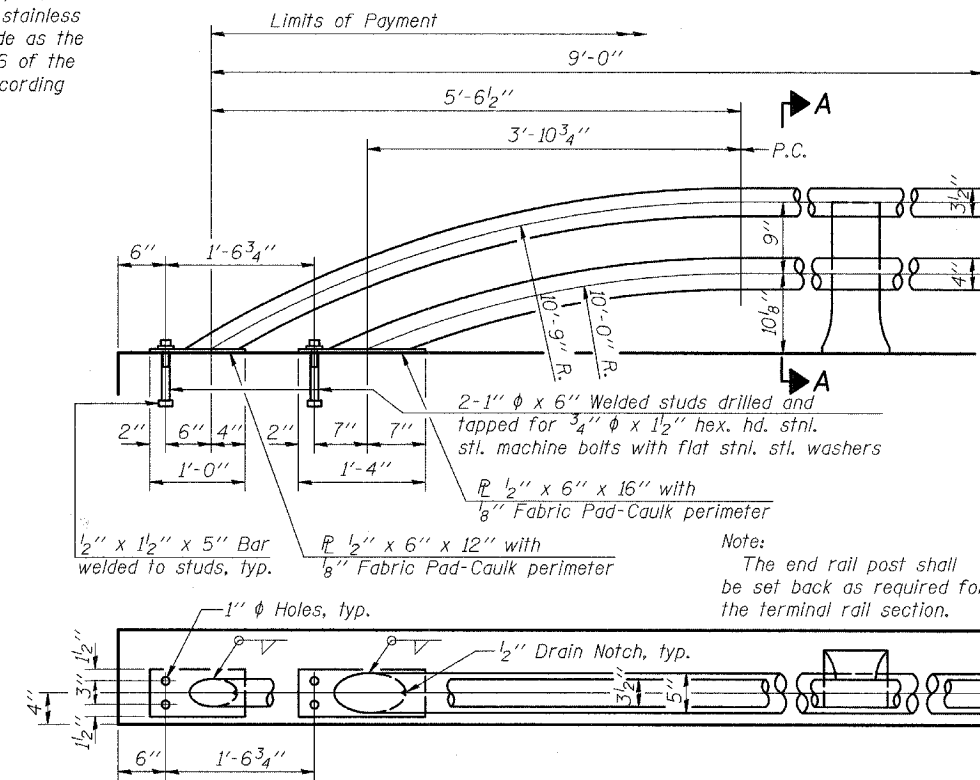


VIEW B-B

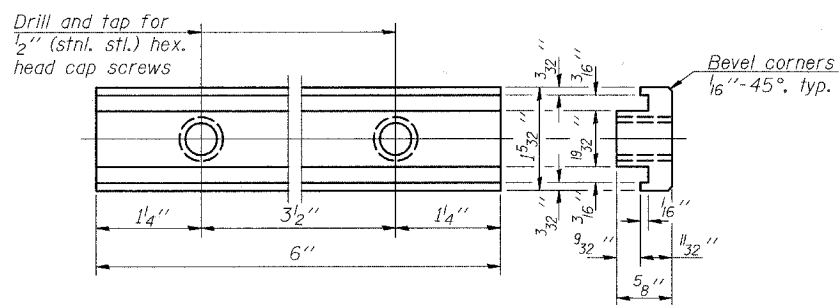
SECTION A-A

RAIL POST DETAILS

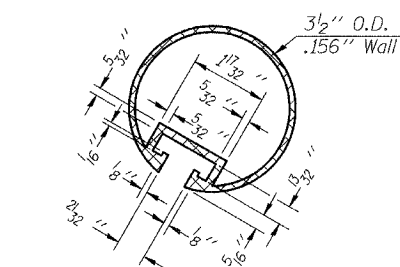
\* In lieu of the cast-in-place anchor device shown, the Contractor has the option of drilling and setting stainless steel anchor rods of the same diameter and grade as the specified cap screws according to Article 509.06 of the Standard Specifications. Embedment shall be according to the manufacturer's specifications.



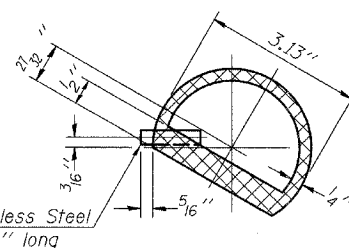
RAIL TERMINAL SECTION



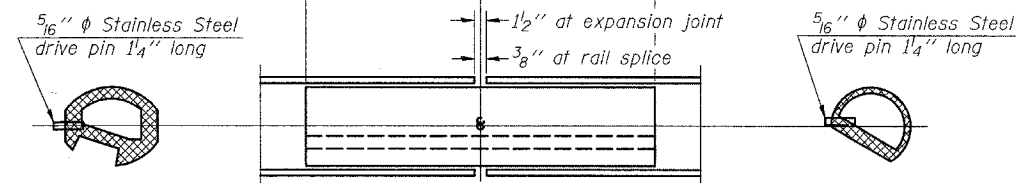
RAIL POST CLAMP BAR  
For Top Rail



SECTION THRU TOP RAIL



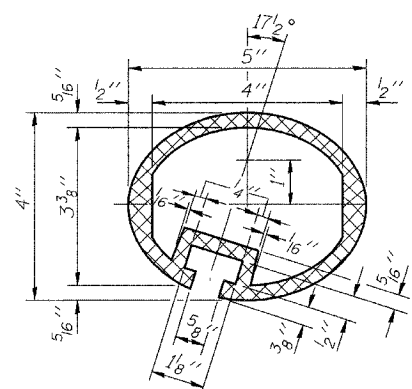
SECTION THRU SPLICE  
For Top Rail



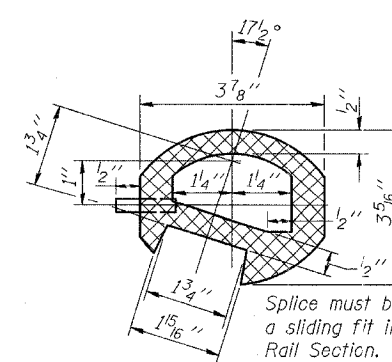
RAIL SPLICE

BOTTOM RAIL

TOP RAIL



SEC. THRU ELLIPTICAL  
RAIL SECTION



SEC. THRU SPLICE

Notes:  
All Posts shall be normal to parapet.  
All joints in rail shall be spliced per detail.  
Provide 1-9" and 2-1/16" Aluminum Shims for 25% of the Posts. Rail elements shall be parallel to Grade-high spots will be ground and low spots shimmed.  
See Sheet 13, 23 & 26 for rail post spacing.

BILL OF MATERIAL

Item	Unit	Quantity
Aluminum Railing, Type L	Foot	154

ALUMINUM RAILING, TYPE L

BAILEY ROAD OVER THE  
WEST BRANCH OF THE DUPAGE RIVER  
FAU 1545  
SECTION 00-00115-00-BR STA. 2+99.15  
DUPAGE COUNTY  
S.N. 022-3028

TYLIN INTERNATIONAL

DESIGNED	- SNB
CHECKED	- SP
DRAWN	- SNB
CHECKED	- SP