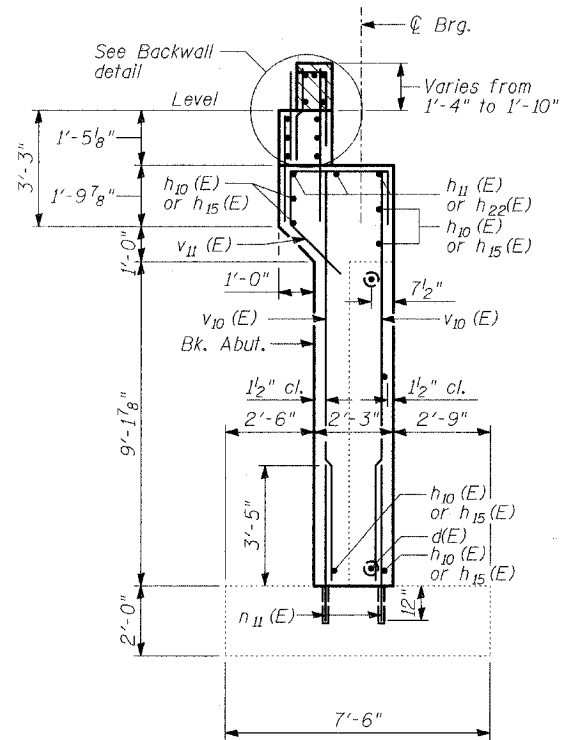
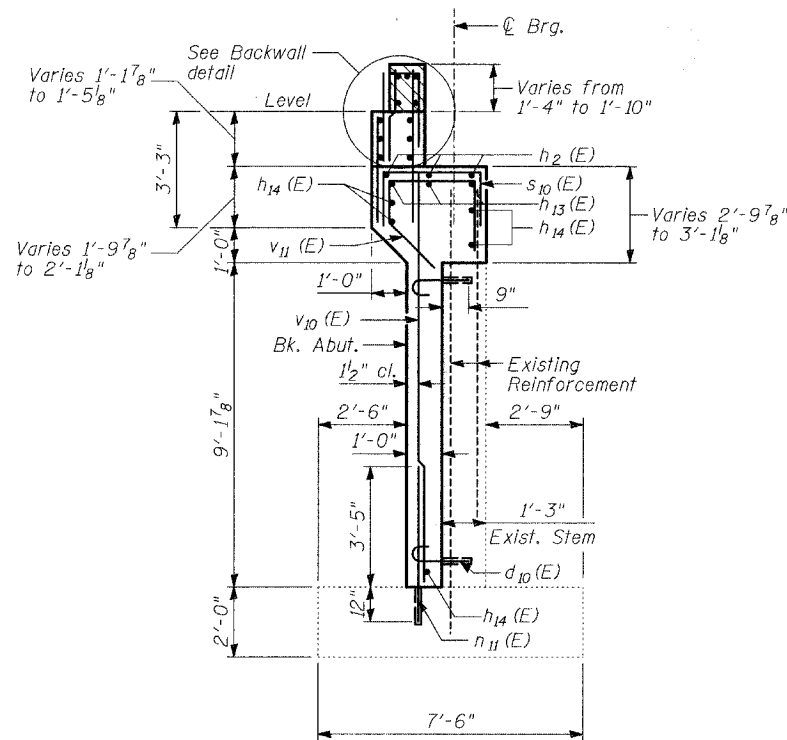


STATE OF ILLINOIS
DEPARTMENT OF TRANSPORTATION

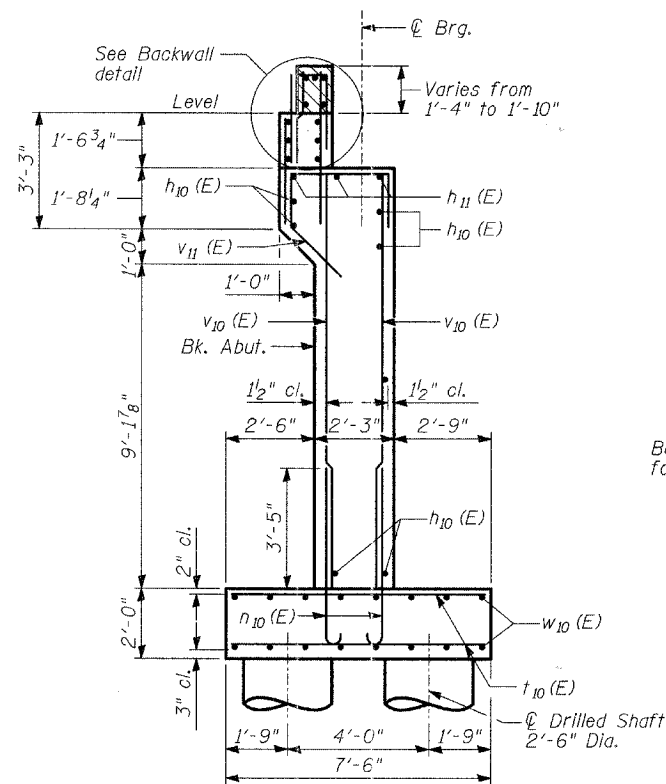
ROUTE NO.	SECTION	COUNTY	TOTAL SHEETS	SHEET NO.	SHEET NO. - 27
1545	*	DUPAGE	97	48	39 - SHEETS
FED. ROAD DIST. NO.		ILLINOIS	FED. AID PROJECT		CONTRACT NO. 83961
00-00115-00-BR					



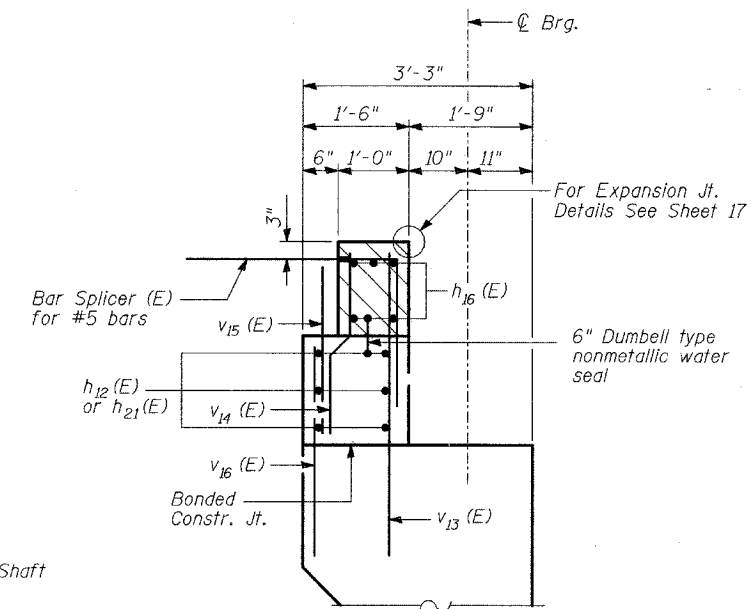
SECTION A-A



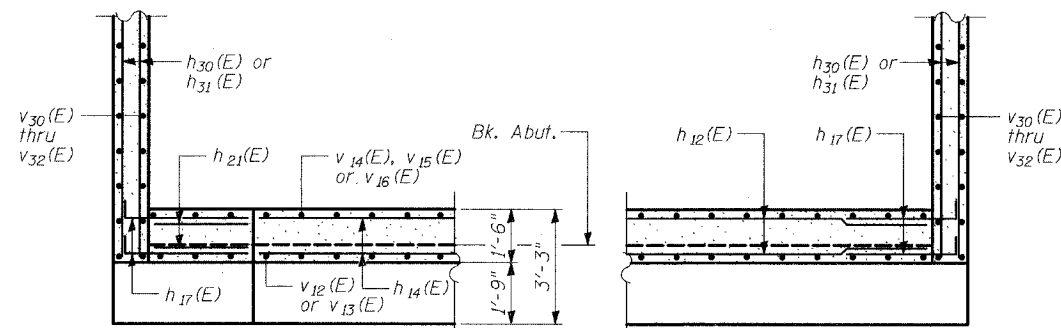
SECTION B-B



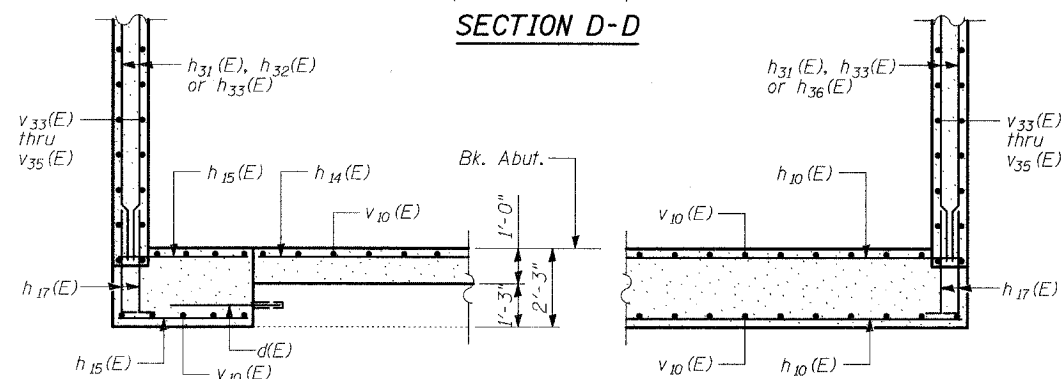
SECTION C-C



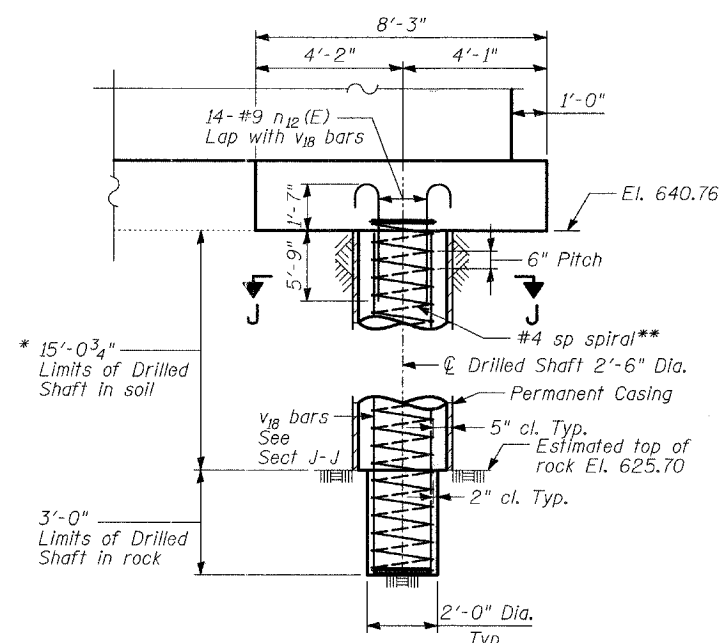
BACKWALL DETAIL



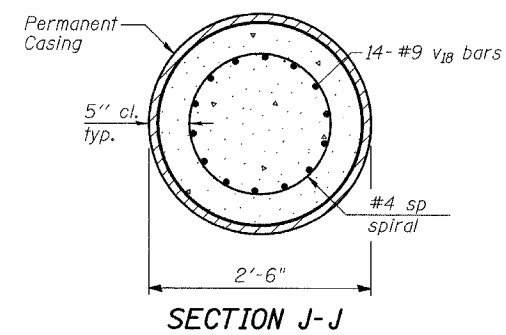
SECTION D-D



SECTION E-E



DRILLED SHAFT DETAIL



SECTION J-J

NOTE:
1. Hatched area to be poured after Superstructure falsework has been removed. Quantity of Concrete included with Concrete Superstructure.

TYLIN INTERNATIONAL

DESIGNED	- PL
CHECKED	- SP
DRAWN	- PL
CHECKED	- SP

EAST ABUTMENT
SECTIONS AND DETAILS

BAILEY ROAD OVER THE
WEST BRANCH OF THE DUPAGE RIVER
FAU 1545
SECTION 00-00115-00-BR STA. 2+99.15
DUPAGE COUNTY
S.N. 022-3028