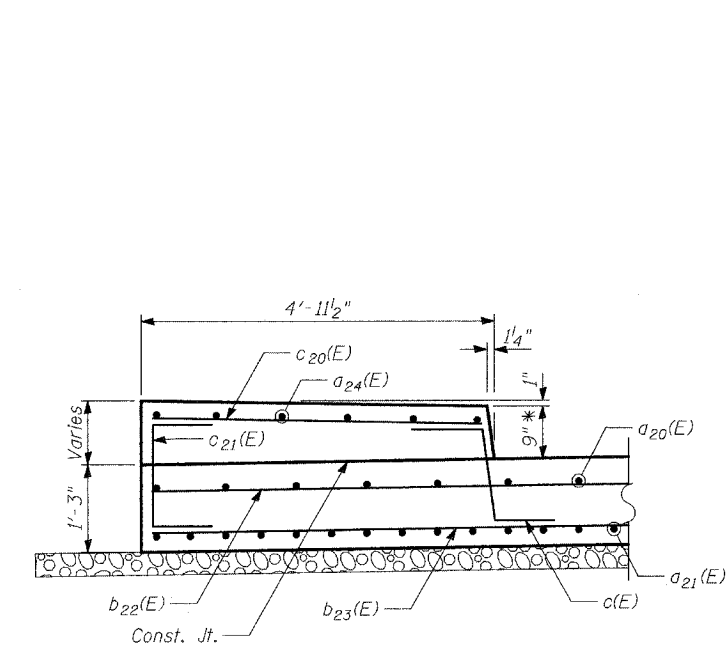
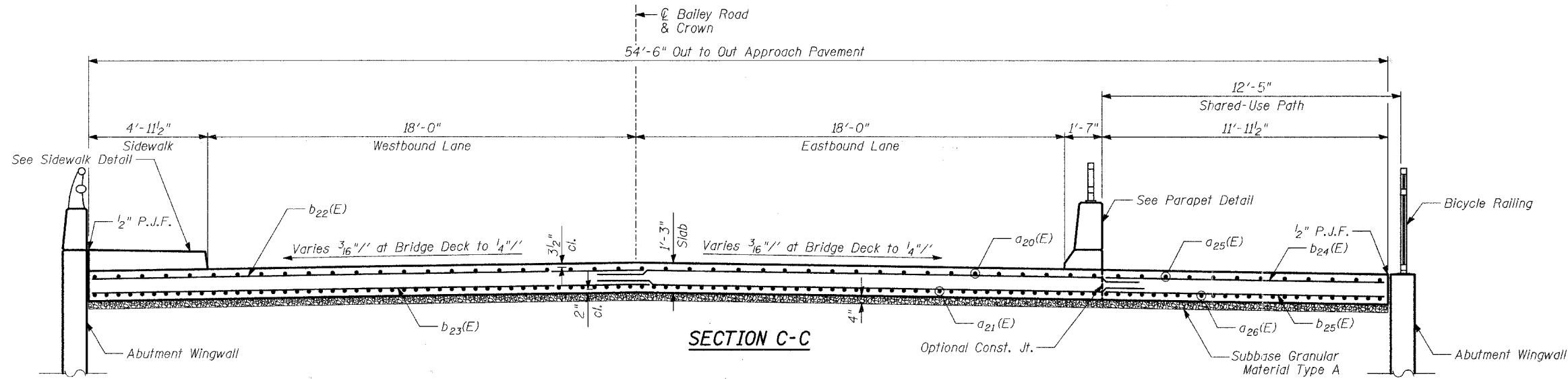


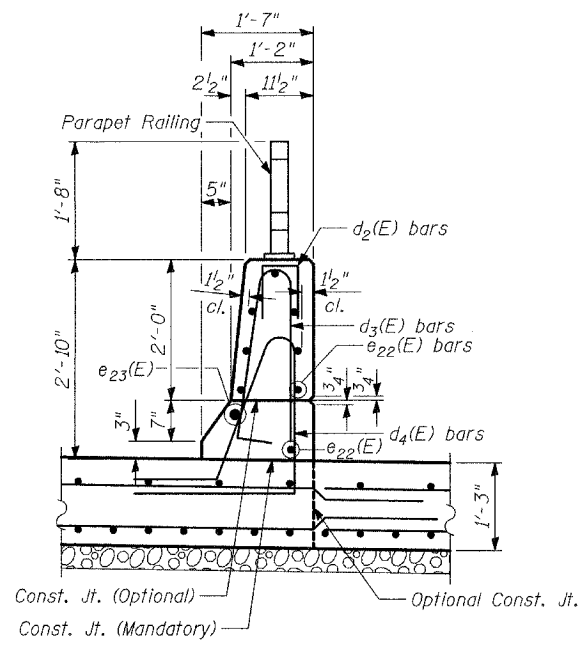
STATE OF ILLINOIS
DEPARTMENT OF TRANSPORTATION

ROUTE NO.	SECTION	COUNTY	PROJECT NO.	SHEET NO.	SHEET NO. - 37
1545	•	DUPAGE	97	58	39 - SHEETS
FED. ROAD DIST. NO.					ILLINOIS
FED. AID					CONTRACT NO. 83961

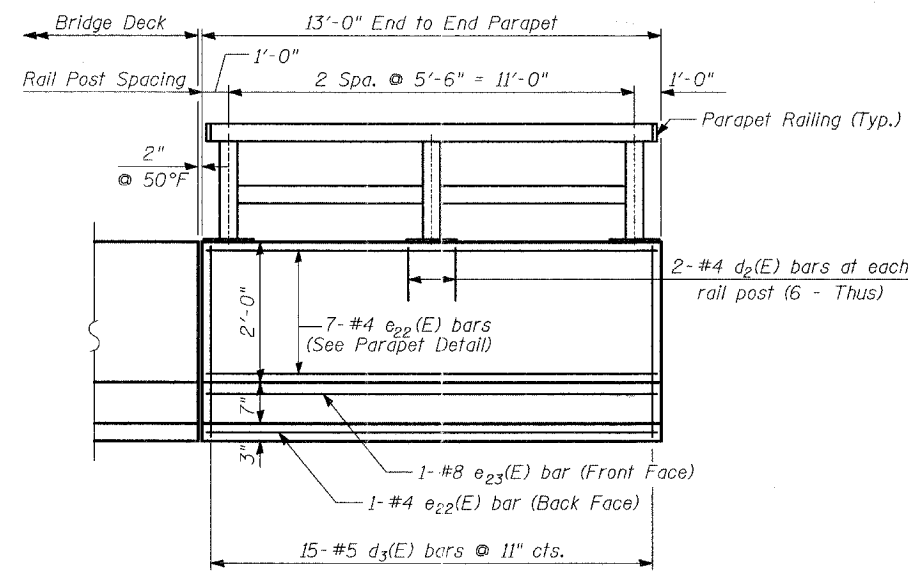


SIDEWALK DETAIL

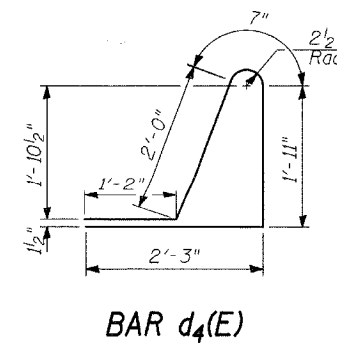
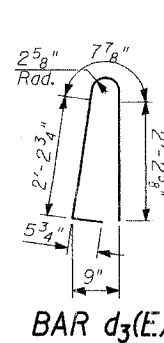
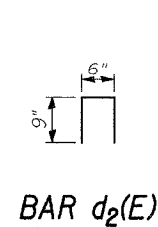
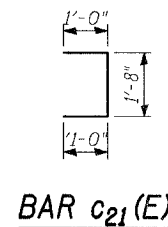
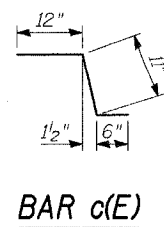
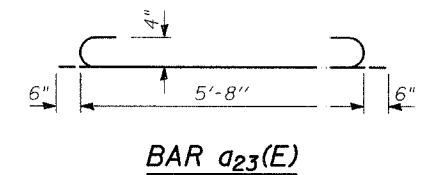
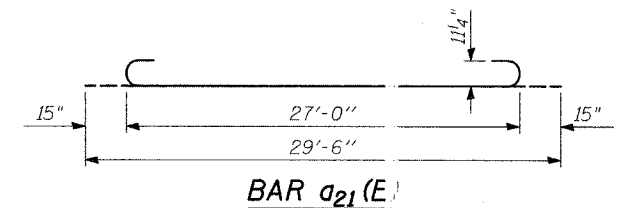
* Transition to match approach curb & gutter shape in last 10' of approach pavement.



PARAPET DETAIL



INSIDE ELEVATION OF PARAPET



BILL OF MATERIAL

Bar	No.	Size	Length	Shape
a ₂₀ (E)	41	#5	29'-6"	—
a ₂₁ (E)	81	#9	29'-6"	—
a ₂₂ (E)	41	#4	5'-"	—
a ₂₃ (E)	41	#4	6'-"	—
a ₂₄ (E)	6	#5	30'-8"	—
a ₂₅ (E)	15	#5	11'-"	—
a ₂₆ (E)	30	#9	11'-"	—
b ₂₂ (E)	18	#4	23'-3"	—
b ₂₃ (E)	62	#5	23'-6"	—
b ₂₄ (E)	4	#4	11'-"	—
b ₂₅ (E)	13	#5	11'-"	—
c(E)	32	#5	2'-"	—
c ₂₀ (E)	32	#5	4'-"	—
c ₂₁ (E)	32	#5	3'-"	—
d ₂ (E)	6	#4	2'-"	—
d ₃ (E)	15	#5	5'-"	—
d ₄ (E)	15	#5	7'-"	—
e ₂₂ (E)	8	#4	12'-3"	—
e ₂₃ (E)	1	#8	12'-3"	—
h ₂₁ (E)	48	#5	21'-7"	—

Bridge Approach Pavement (Special)	SQ YD	153
Protective Coat	SQ YD	171
** Reinforcement Bars, Epoxy Coated	Pound	15,007

** Provided for information only

WEST APPROACH PAVEMENT DETAILS

BAILEY ROAD OVER THE
WEST BRANCH OF THE DUPAGE RIVER
FAU 1545
SECTION 00-00115-00 BR STA. 2+99.15
DUPAGE COUNTY
S.N. 022 3028

TYLIN INTERNATIONAL

DESIGNED	- DE
CHECKED	- SNB
DRAWN	- DE
CHECKED	- SNB