

CODE	QTY	DESCRIPTION
DEVA	1	Vault, Air Switch
DnBxxP	**	Bend, PVC
DnBxxS	**	Bend, Steel
DnF	**	Bell Fitting, PVC
DnP	**	Plug, PVC
UI15n	**	Faulted Circuit Indicator
UFnSMU	**	Fuse Unit, 15kV, SMU 20
UM6S*A	1	Switch, Pad mounted
UGS#	1	Grounding, Switchgear
UT15AE	**	Arrestor, Elbow, 9kV
UT15CN	**	Elbow, 15kV

- NOTE:**
- BENDS SHALL BE INSTALLED PER FIELD CONDITION.
 - SPARES NOT SHOWN.
 - INSTALL ELBOW ARRESTERS AT NORMAL OPEN SWITCH LOCATIONS ON 600A SIDE.
 - SEE C30-1010 FOR FAULT INDICATOR LOCATION.
 - FOR VAULT INSTALLATIONS ONLY, INSTALL LIDS - DEVAL
 - GROUND GRID INSTALLED 12" FROM VAULT AND 12" BELOW GRADE.
 - CONTRACTOR IS ADVISED THIS SPECIFICATION INDICATES WHAT IS INSIDE AN EXISTING ENERGIZED SWITCH GEAR THAT IS TO BE WORKED IN BY THE CONTRACTOR.
- THE ASSEMBLY CODE UM6S# - BUSHING INSERT, 15kV 200 Amps WAS ELIMINATED AFTER S&C ADDED THE BUSHING INSERT OPTION TO ALL NEW FME SWITCHGEAR! THE UM6S# OPTION IS STILL AVAILABLE FOR USE AS A REPLACEMENT OPTION.

NAPERVILLE PUBLIC UTILITIES DEPARTMENT
ELECTRIC STANDARDS

30 15kV AIR SWITCH MODULE ASSEMBLY

DATE: 4-22-07
Page 1 of 3
C30-0013

Item Code	Description 1	Description 2	TE	A	TC	PC	F	AE	M	AL
284 100 00120	EXTENDER, 14 TRF VAULT	44" X44" X 8" W/25" X25" OPEN	1							
284 101 00010	VAULT, AIR SWITCH	74" X76" X36" (FIBER-CRETE)		1						
284 101 00020	VAULT, 10 TRF/FUSE CAN	44" X44" X36" (FIBER-CRETE)			1					
284 101 00030	VAULT, 30 PLUG CAN	23" X69" X36" (FIBER-CRETE)				1				
284 101 00040	VAULT, 50 FUSE CAN	49" X69" X36" (FIBER-CRETE)					1			
284 101 00100	EXTENDER, AIR SWITCH VAULT	74" X76" X36" (FIBER-CRETE)						1		
NON	CA-6	CRUSHED LIMESTONE			25	25	5			
NON	VAULT, 12.47KV PH. METERING	56" X56" X20" (FIBER-CRETE)							1	
NON	LID, AIR SWITCH VAULT	2-PIECE DESIGN W/HARDWARE								1

Assembly	Item Code	Description 1	Description 2	Qty
D3B30P	285 101 00025	ELBOW, PVC 30 DEG 3"	STANDARD RADIUS SCH 40	1
D3B45P	285 101 00030	ELBOW, 30" E PVC 45 DEG 3"	SCH 40	1
D3B60P	285 101 00040	ELBOW, 30" E PVC 60 DEG 3"	SCH 40	1
D3B90P	285 101 00080	ELBOW, 30" E PVC 90 DEG 5"	SCH 40	1
D3B45P	285 101 00090	ELBOW, 30" E PVC 45 DEG 5"	SCH 40	1
D3B60P	285 101 00100	ELBOW, 30" E PVC 60 DEG 5"	SCH 40	1
D3B90P	285 101 00200	ELBOW, 48" E PVC 90 DEG 6"	SCH 40	1
D3B45P	285 101 00230	ELBOW, 48" E PVC 45 DEG 6"	SCH 40	1
D3B90P	285 101 00240	ELBOW, 48" E PVC 90 DEG 6"	SCH 40	1

Item Code	Description 1	Description 2	D3B90S
285 101 00140	ELBOW, 30" E STL 90 DEG 3"	GALVANIZED	1
285 102 00040	COUPLING, PVC 3"	LONG LINE SCH 40	1

Item Code	Description 1	Description 2	D5B90S	D5B45S	D5B60S
285 101 00160	ELBOW, 30" E STL 30 DEG 5"	GALVANIZED	1		
285 101 00170	ELBOW, 30" E STL 45 DEG 5"	GALVANIZED		1	
285 101 00180	ELBOW, 30" E STL 90 DEG 5"	GALVANIZED			1
285 102 00110	COUPLING, PVC 5"	LONG LINE SCH 40	1	1	1

Item Code	Description 1	Description 2	D6B11S	D6B22S	D6B30S	D6B45S	D6B90S
285 101 00180	ELBOW, 48" E STL 11 DEG 6"	GALVANIZED	1				
285 101 00188	ELBOW, 48" E 22.5 DEG 6"	GALVANIZED		1			
285 101 00189	ELBOW, 48" E STL 30 DEG 6"	GALVANIZED			1		
285 101 00200	ELBOW, 48" E STL 45 DEG 6"	GALVANIZED				1	
285 101 00210	ELBOW, 48" E STL 90 DEG 6"	GALVANIZED					1
285 102 00140	COUPLING, PVC 6"	LONG LINE SCH 40	1	1	1	1	1

Item Code	Description 1	Description 2	D6F	D5F	D6P
285 103 00040	BELL FITTING, PVC 3"	SCH 40 & SCH 80	1		
285 103 00090	BELL FITTING, PVC 5"	SCH 40 & SCH 80		1	
285 103 00100	BELL FITTING, PVC 6"	SCH 40 & SCH 80			1

Item Code	Description 1	Description 2	D6P	D5P	D6F
285 103 00030	PLUG, PVC 3"	WITH PULL TAB	1		
285 103 00070	PLUG, PVC 5"	WITH PULL TAB		1	
285 103 00090	PLUG, PVC 6"	WITH PULL TAB			1

NAPERVILLE PUBLIC UTILITIES DEPARTMENT
ELECTRIC STANDARDS

30 15kV AIR SWITCH MODULE ASSEMBLY

DATE: 10-22-06
PAGE: 3 OF 3
C30-0013

FAU. RTE.	SECTION	COUNTY	TOTAL SHEETS	SHEET NO
1545	00-00115-00-BR	DUPAGE	97	87
STA. 1+31.77		TO STA. 5+50.00		
FED. ROAD DIST. NO.		ILLINOIS	FED. AID PROJECT	

Item Code	Description 1	Description 2	Qty	Qty	Qty	Qty	Qty	Qty	Qty
289 105 00030	FUSE UNIT, SMU20, 15KV	25K	25	50	85	80	100	140	200
289 105 00040	FUSE UNIT, SMU20, 15KV	50K							
289 105 00050	FUSE UNIT, SMU20, 15KV	85K							
289 105 00060	FUSE UNIT, SMU20, 15KV	80K							
289 105 00070	FUSE UNIT, SMU20, 15KV	100K							
289 105 00080	FUSE UNIT, SMU20, 15KV	140K							
289 105 00090	FUSE UNIT, SMU20, 15KV	200K							

Item Code	Description 1	Description 2	UGS	UGSV	UGSE
280 107 00070	CU BASE SH	4/0 7-STR	4	45	30
283 105 00010	GROUND ROD, COPPER CLAD	5/8" X 10'	76	45	30
284 199 00184	CLAMP, CABLE TO FLAT GND	#6 SOL - 250 MCM CU	4	4	4
286 100 00260	CONNECTOR, WEDGE CU	4/0 STR (7) - 4/0 STR (7)	4	2	2
286 100 00320	CONNECTOR, WEDGE CU	4/0 STR (7) - 5/8" ROD	4	4	4
286 101 00010	SHIELD, WEDGE AMP	WHITE	8	4	4
286 199 00220	BREAK-AWAY	1/0-4/0 STR X 1/0 - 4/0 STR	12		12

Item Code	Description 1	Description 2	SI	SS	I3
285 199 00210	GUARD WIRE	SPIRAL	4	8	6
284 120 00010	FAULT INDICATOR, 1/0 - 4/0	15KV	1	3	3
284 120 00020	FAULT INDICATOR, 750 - 1000	15KV			3
284 120 00030	INDICATOR CABLE, 3 TO 1	10 FOOT			1
284 120 00040	INDICATOR CABLE, 1 TO 1	6 FOOT			1
284 120 00050	TIES, CABLE	SMALL	4	6	6
284 120 00060	CLIP	ADHESIVE BACKED	4	6	6

Item Code	Description 1	Description 2	2A	3A	2AA	3AA
NON	3PH, 2-WAY AUTOMATED SWITCH	15KV, 600A			1	1
NON	3PH, 3-WAY AUTOMATED SWITCH	15KV, 600A				1
284 200 00050	3PH, 2 WAY	8.3/15KV, 600A			1	1
284 200 00060	3PH, 3-WAY	8.3/15KV, 600A			1	1
284 199 00310	SIGN NOTICE/OBSTRUCTION	6" X 3"	2	2	2	2
287 109 00040	PADLOCK, BRONZE	W/1-1/2" SHACKLE	4	5	5	6

Item Code	Description 1	Description 2	Qty
284 117 00080	INSERT, LOADBREAK BUSHING	15KV, 200A	1*

*THIS OPTION IS STILL AVAILABLE FOR USE AS REPLACEMENTS.

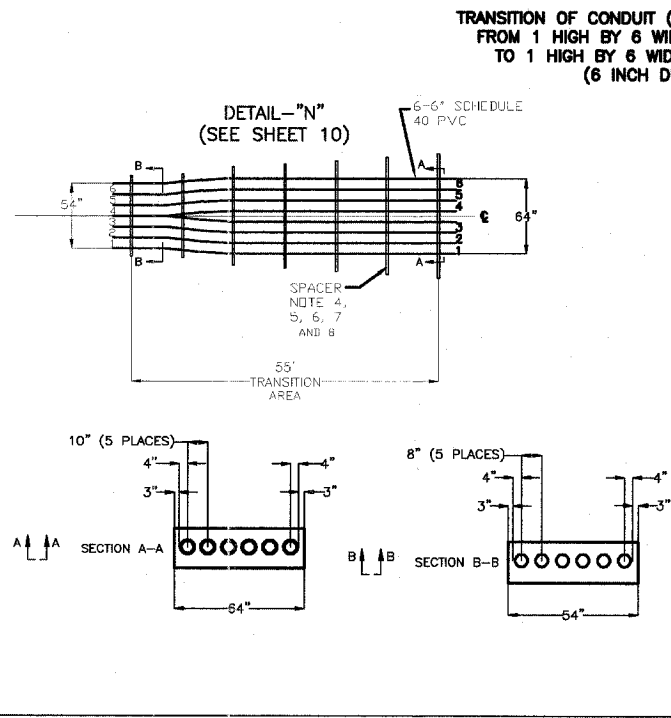
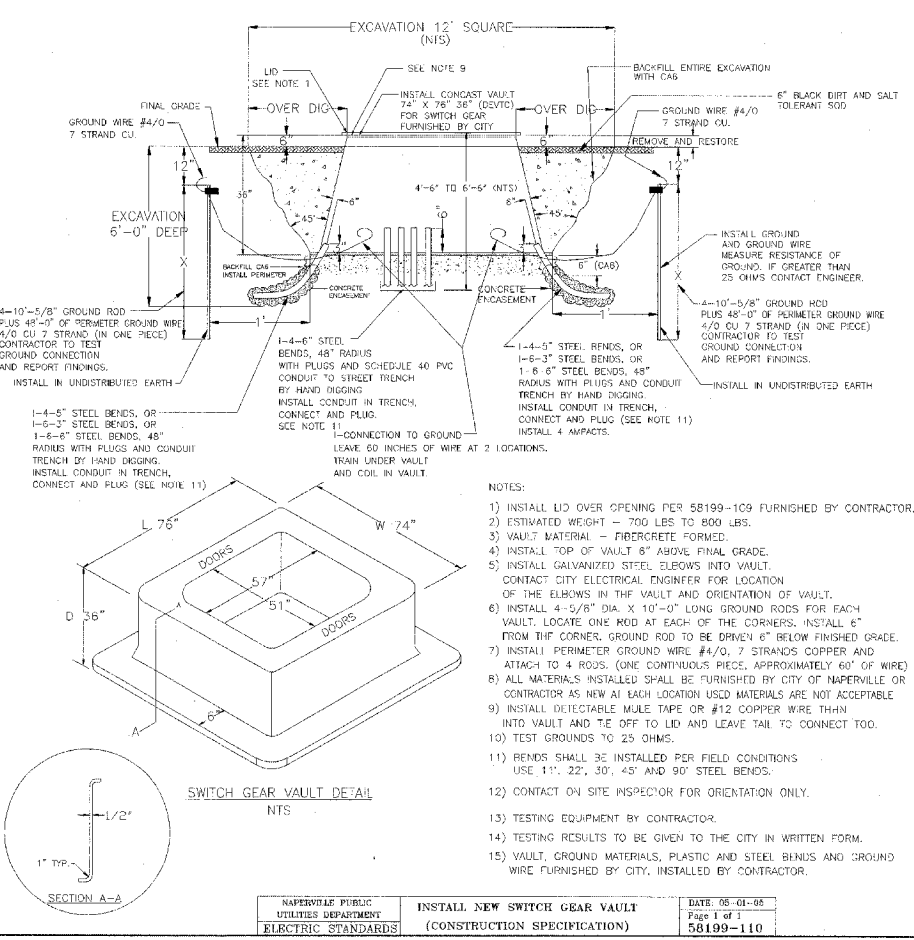
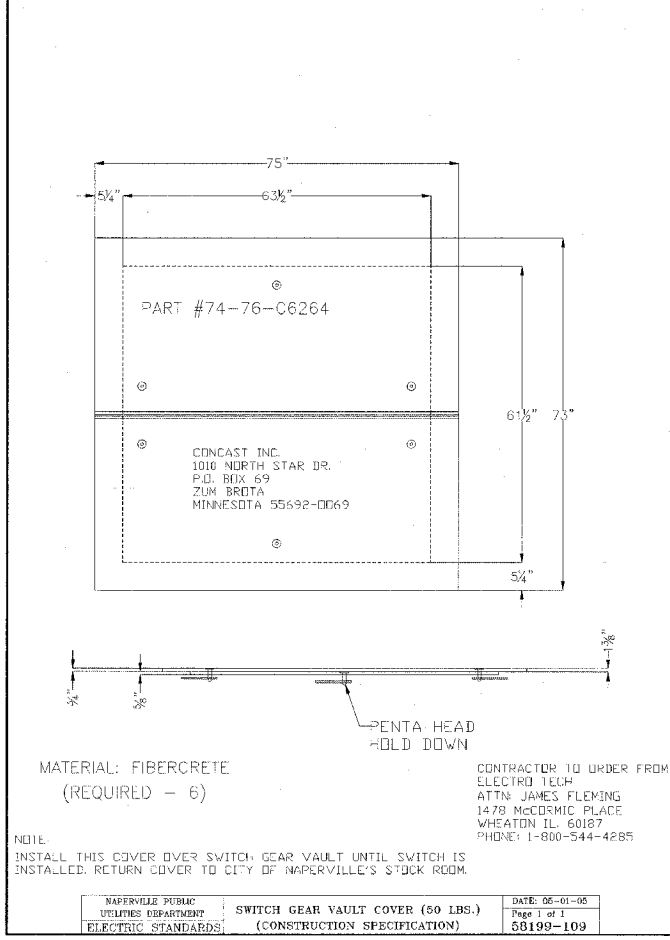
Item Code	Description 1	Description 2	B	E	P
284 118 00020	ARRESTER, ELBOW	9/10 kV			1
284 118 00030	ARRESTER, PARKING STAND	9/10 kV			1
284 118 00040	ARRESTER, BUSHING INSERT	9/10kV			1
286 199 00020	CONNECTOR, BREAKAWAY CU	1/0 - 4/0 STR	1	1	1

Item Code	Description 1	Description 2	10	10F	40	406	C75	C90	10	40	75	90
284 109 00010	FUSE, ELBOW 8kV	30A										
284 117 00020	ELBOW, FUSED 8.3KV 200A	1/0 STR AL 175-220 MIL										
284 117 00030	ELBOW, 15KV 200A	1/0 STR AL 175-220 MIL										
284 117 00031	ELBOW, 15KV 200A EXTENDED	1/0 STR AL 175-220 MIL										
284 117 00040	ELBOW, 15KV 200A	4/0 STR AL 175-220 MIL										
284 117 00041	ELBOW, 15KV 200A EXTENDED	4/0 STR AL 175-220 MIL										
284 117 00050	ELBOW, 15KV 600A, W/LETP	750 MCM STR AL 175-220 MIL										
284 117 00060	ELBOW, 15KV 600A EXTENDED	750 MCM STR AL 175-220 MIL										
284 117 00095	ELBOW, 15KV 600A, W/LETP	1000 MCM STR AL 175-220 MIL										
284 117 00096	ELBOW, 15KV 600A EXTENDED	1000 MCM STR AL 175-220 MIL										
284 117 00400	ELBOW, 15KV 600A	4/0 STR AL 175-220 MIL										
284 117 00430	KIT CABLE JACKET SEAL	1/0-4/0 (0.93"-1.50")	1	1	1	1	1	1	1	1	1	1
284 117 00440	KIT CABLE JACKET SEAL	250-1000 MCM (1.30"-2.67")	1	1	1	1	1	1	1	1	1	1
255 199 00100	CABLE CLEANER	QUARTS	.01	.01	.01	.01	.01	.01	.01	.01	.01	.01
284 199 00120	CAP, INSULATED W/GROUND	15KV 200A	1	1	1	1	1	1	1	1	1	1

NAPERVILLE PUBLIC UTILITIES DEPARTMENT
ELECTRIC STANDARDS

30 15kV AIR SWITCH MODULE ASSEMBLY

DATE: 10-22-06
PAGE: 3 OF 3
C30-0013



- TRANSITION OF CONDUIT (SCHEDULE 40 PVC) FROM 1 HIGH BY 6 WIDE (10" CRITER) TO 1 HIGH BY 6 WIDE (8" CENTER) (6 INCH DUCT)**
- THE DUCTS IN TRANSITION/TRANSPOSING FROM SECTION A-A TO SECTION B-B SHALL FOLLOW UNIFORM RADIUS REVERSE CURVES, WHICH LIE IN THE PLANE OF CURVED SURFACES, INDICATED IN THE PLAN OF DUCT AXES.
 - SEPARATION BETWEEN DUCTS AND SHEATHING THICKNESS SHALL BE THE SAME AS FOR THE STANDARD FORMATION IN THE REMAINDER OF THE RUN.
 - ALL EQUIPMENT, TOOLS AND MATERIAL TO COMPLETE THE TRANSPOSITION WILL BE FURNISHED AND INSTALLED BY THE CONTRACTOR, EXCEPT FOR THE SCHEDULE 40 PVC CONDUIT.
 - CONTRACTOR TO SUPPLY SPACERS, COUPLING AND ADAPTERS.
 - USE PLASTIC TIES AS REQUIRED.
 - USE 5 DEGREE BENDS AS REQUIRED.
 - CONTRACTOR SHALL ASSEMBLE, PRE FIT, LEVEL, CUT ARRANGE, CHOP, CHIP, SUPPORT AND SECURE DUCT FOR A COMPLETE JOB.
 - ALL CONDUITS SHALL BE ENCASED IN CONCRETE AND FORMED IN FIELD BY THE CONTRACTOR, USING FORMS CUT TO FIT OF WOOD ALL MATERIALS FURNISHED BY THE CONTRACTOR.
 - CONTRACTOR TO FORM BENDS IN FIELD USING A HOT BOX IF MANUFACTURED BENDS ARE NOT ACCEPTABLE. ALL DUCT TO REMAIN ROUND.
 - ALL MATERIALS, EQUIPMENT AND TOOLS FURNISHED BY CONTRACTOR.
 - ALL SCHEDULE 40 PVC CONDUIT SHALL BE SUPPLIED BY THE CITY, INSTALLED BY THE CONTRACTOR.
 - ALL STEEL TO PLASTIC COUPLING SHALL BE FURNISHED AND INSTALLED BY THE CONTRACTOR.

CITY OF NAPERVILLE/DEPARTMENT OF PUBLIC UTILITIES - ELECTRIC

CALL J.U.L.I.E. 48 HRS. PRIOR TO CONSTRUCTION

PROJECT TITLE	IMP. NO.	CID FILE NO.
BAILEY RD. BRIDGE DUCTBANK INSTALLATION		05819001C23JUNG
PROJECT DESCRIPTION	DRAWN BY	PROJECT NO.
COORDINATED WITH BRIDGE IMPROVEMENT	JK	EJ12-06-04
DATE: 6-15-07	WORK REQUEST NO.	ISSUED BY
	58199	
ENGINEER: RPS	SCALE:	COMPLETED BY
REVISION:	NTS	

DATE: 05-01-05
Page 1 of 1
58199-110

NAPERVILLE PUBLIC UTILITIES DEPARTMENT
ELECTRIC STANDARDS

INSTALL NEW SWITCH GEAR VAULT (CONSTRUCTION SPECIFICATION)

DATE: 05-01-05
Page 1 of 1
58199-110

NAPERVILLE PUBLIC UTILITIES DEPARTMENT
ELECTRIC STANDARDS

30 15kV AIR SWITCH MODULE ASSEMBLY

DATE: 05-01-05
Page 1 of 1
58199-110

SHEET 23 OF 23