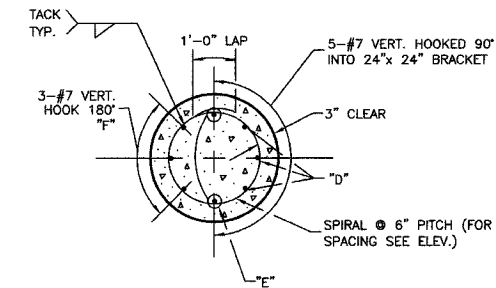
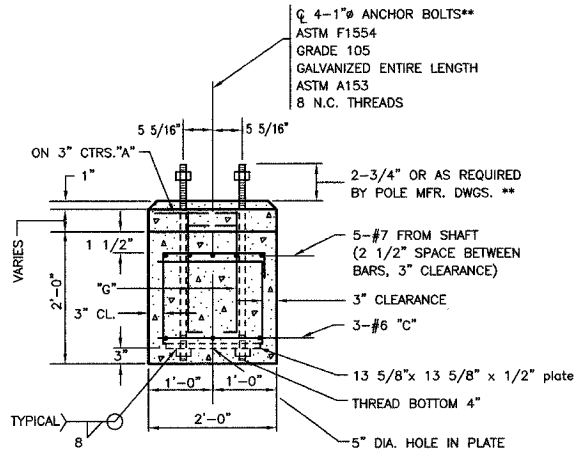


SECTION 18, TOWNSHIP 37, RANGE 13  
SECTION 19, TOWNSHIP 37, RANGE 13



SECTION A-A

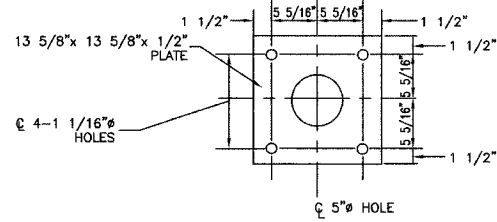


SECTION B-B

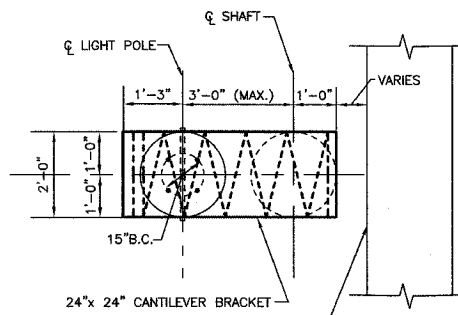
**\*\*NOTE:**  
THE TOP OF THE ANCHOR BOLTS SHOULD NOT PROJECT MORE THAN 4" ABOVE A 60" CHORD ALIGNED RADIALLY TO THE CENTERLINE OF THE HIGHWAY AND CONNECTING ANY POINT WITHIN THE LENGTH OF THE CHORD, ON THE GROUND SURFACE ON ONE SIDE OF THE SUPPORT TO A POINT ON THE GROUND SURFACE ON THE OTHER SIDE.

- NOTE:**
1. CONCRETE SHALL BE 3500 PSI AT 14 DAYS. (CLASS S)
  2. REINFORCING BARS SHALL BE OF NEW BILLET STEEL ASTM A615 (M42) AND DEFORMED.
  3. HOLE FOR THE FOUNDATION (SHAFT) SHALL BE AUGERED.
  4. POLE FOUNDATION, OFFSET FOR THIS APPLICATION IS EQUIVALENT TO 13.5 LIN.FT. PER FOUNDATION.
  5. THE CONTRACTOR SHALL USE A #3 SPIRAL AT 6" PITCH OR MAY SUBSTITUTE #3 TIES 12" O.C. WITH THE APPROVAL OF THE ENGINEER.

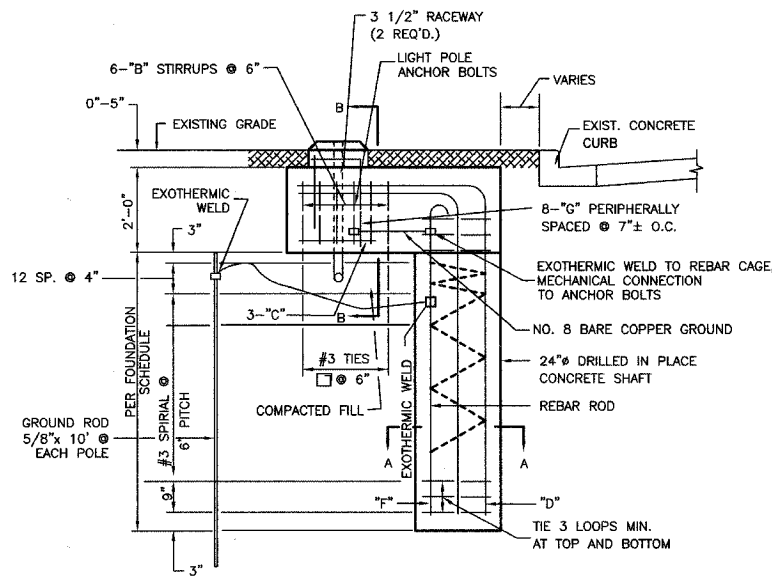
BILL OF MATERIALS				
"LIGHT POLE FOUNDATION, 24" DIAMETER, OFFSET"				
QUAN.	MARK	SIZE	LENGTH	SHAPE
11	A	NO.3	5'-9"	○
6	B	NO.3	6'-8"	□
3	C	NO.6	5'-31/2'	—
8	G	NO.6	2'-1"	—
3	D	NO.7	13'-6"	—
2	E	NO.7	12'-0"	—
3	F	NO.7	9'-11"	—
REINFORCING BARS		LBS.	285	
CLASS X CONCRETE		CU.YDS.	1.7	
ANCHOR BOLTS		NO.	4	
ANCHOR BOLT PLATE NO.			1	



ANCHOR BOLT PLATE

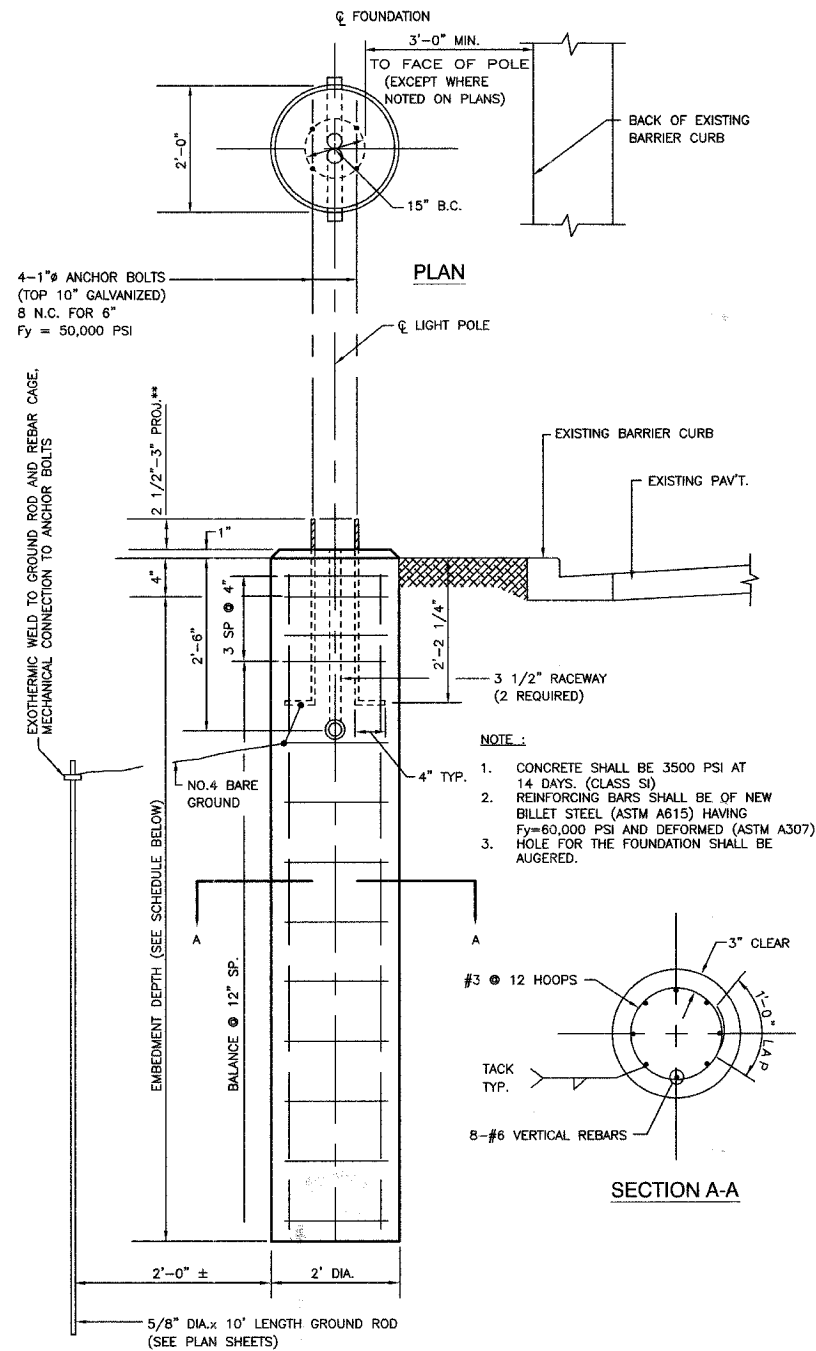
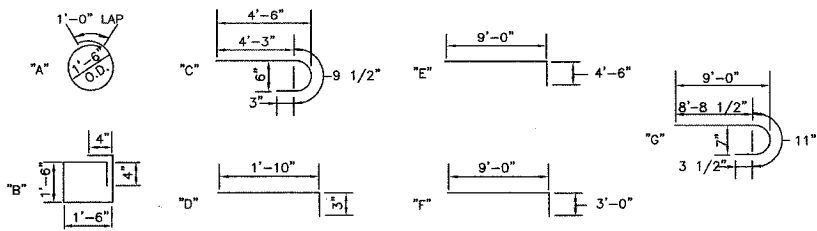


PLAN - CANTILEVERED BRACKET



ELEVATION

POLE FOUNDATION, OFFSET - DETAILS



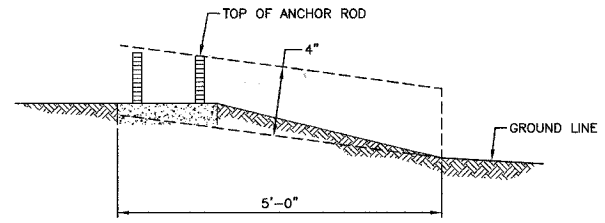
ELEVATION LIGHT POLE FOUNDATION (TYPICAL)

**\*\*NOTE:**  
ACTUAL FOUNDATION DEPTH IS EMBEDMENT DEPTH (FROM SCHEDULE) PLUS 6" EQUALS TOTAL DEPTH.  
7'-6"+6"= 8'-0" FOR 40' MH  
10'-0"+6"=10'-6" FOR 47.5' MH

TYPE OF SOILS		EMBEDMENT MOUNTING HEIGHT			
DESCRIPTION	STANDARDS	30 FT.	35 FT.	40 FT.	47.5 FT.
SOFT CLAY	Qu= .25-5.0 T/FT. 2	9'-0"	9'-8"	10'-6"	14'-0"
MEDIUM CLAY	Qu= .50-1.0 T/FT. 2	6'-6"	7'-0"	7'-6"	10'-0"
DENSE CLAY	Qu= 1.0-2.0 T/FT. 2	5'-6"	6'-0"	6'-6"	8'-6"
LOOSE SAND	N= 4-10	7'-0"	7'-8"	8'-4"	11'-0"
MEDIUM SAND	N= 10-30	6'-0"	6'-6"	7'-3"	9'-6"
DENSE SAND	N= 30-50	5'-6"	6'-0"	6'-6"	8'-6"

F.A.U. NO.	SECTION	COUNTY	TOTAL SHEETS	SHEET NO.
2955	05-00052-00-LT	COOK	009	007
STA.	TO STA.			
FED. ROAD DIST. NO.	ILLINOIS	FED. AID PROJECT		

CONTRACT # 83963



**\*\*NOTE:**  
THE FOUNDATION SHALL NOT PROTRUDE MORE THAN 100MM (4") ABOVE THE FINISHED GRADE WITHIN A 1.5M (60") CHORD ACROSS THE FOUNDATION, WITH ANCHOR RODS INCLUDED. IN ACCORDANCE WITH AASHTO GUIDELINES. IF THE FOUNDATION HEIGHT, INCLUDING ANCHOR RODS, EXTENDS BEYOND THESE SPECIFIED LIMITS, THE FOUNDATION SHALL BE REPLACED AT THE CONTRACTORS EXPENSE. SEE FOUNDATION EXTENSION DETAIL.

FOUNDATION EXTENSION DETAIL

ILLINOIS DEPARTMENT OF TRANSPORTATION

OAK PARK AVENUE STREET LIGHTING LIGHTING DETAILS

SCALE: VERT. NA  
HORIZ. 1"=50'  
DATE 4-6-07

DRAWN BY PS  
CHECKED BY TRL/DWS

ROBINSON ENGINEERING, LTD.  
17000 SOUTH PARK AVENUE SOUTH HOLLAND, ILLINOIS 60473  
(708) 324-4700 FAX (708) 321-3225  
ILLINOIS DESIGN FIRM REGISTRATION NO. 184001128