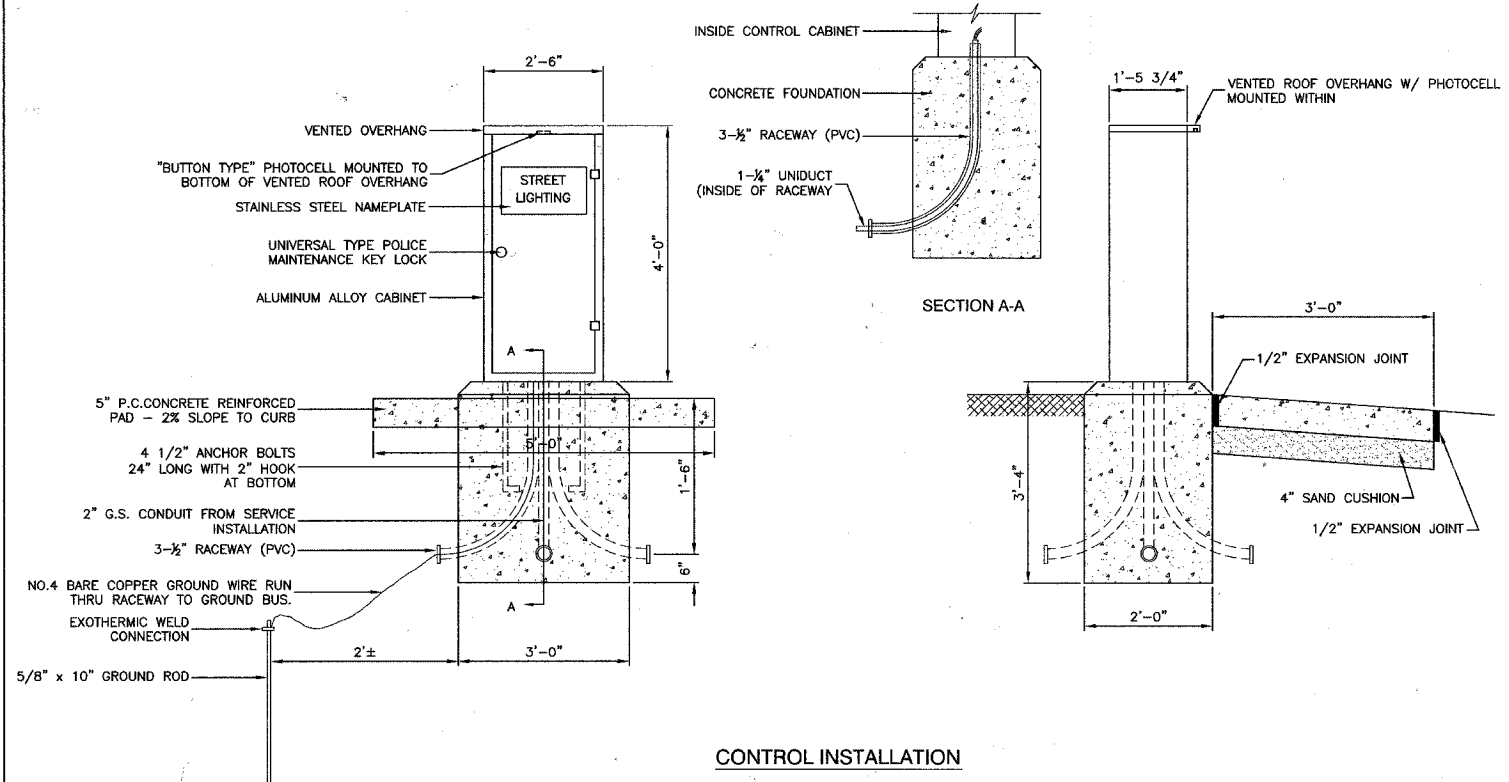
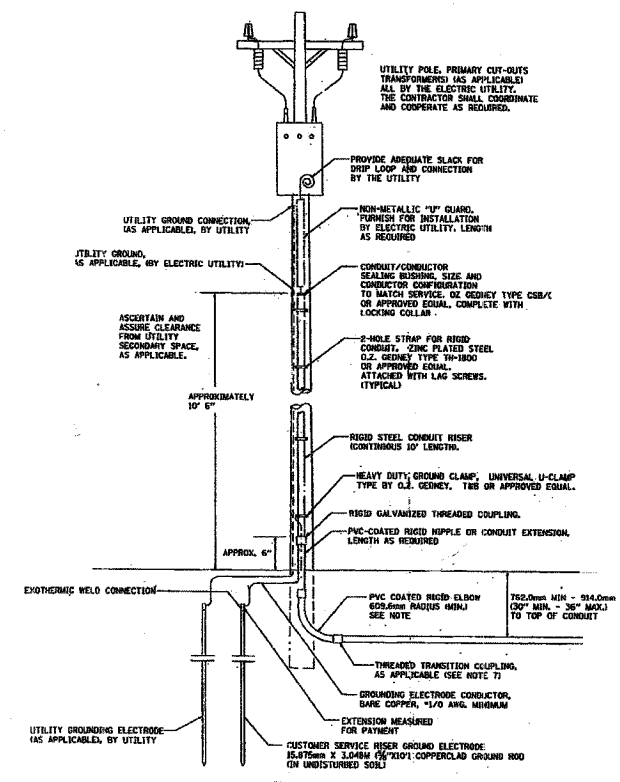


SECTION 18, TOWNSHIP 37, RANGE 13
SECTION 19, TOWNSHIP 37, RANGE 13

F.A.U. NO.	SECTION	COUNTY	TOTAL SHEETS	SHEET NO.
2955	05-00052-00-LT	COOK	009	009
STA.	TO STA.			
FED. ROAD DIST. NO.	LANDS	FED. AID PROJECT		
CONTRACT # 83963				



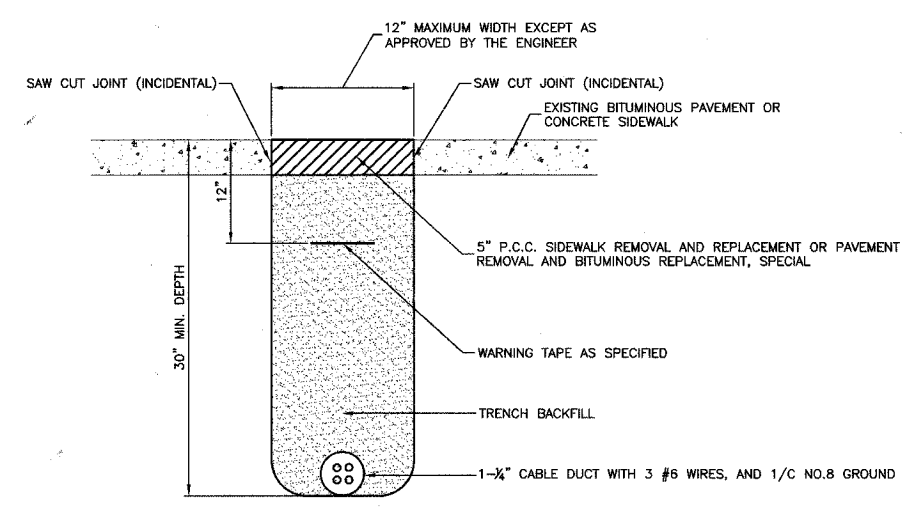
CONTROL INSTALLATION



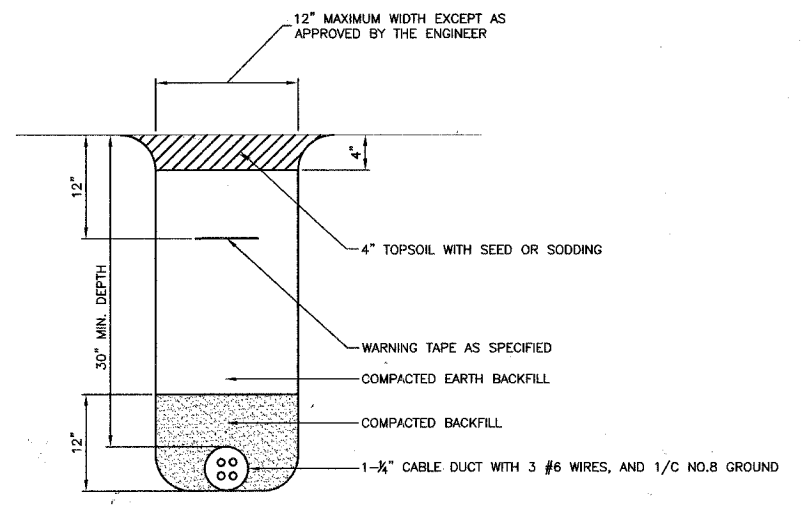
ELECTRIC UTILITY SERVICE CONNECTION

240/480 VOLT, 1Ø, 3 WIRE, 60HZ SERVICE
7.73 KVA LOAD, CONTROLLER #1

- NOTES:
- SERVICE VOLTAGE SHALL BE AS INDICATED ELSEWHERE IN THE DRAWINGS.
 - UNLESS OTHERWISE INDICATED, ITEMS AND WORK SHALL BE INCLUDED AND PAID AS PART OF ELECTRIC UTILITY SERVICE INSTALLATION.
 - CONDUIT AND CONNECTOR DIAMETER SHALL MATCH THE DIAMETER OF THE SERVICE CONDUCTOR RACEWAY AS INDICATED.
 - PVC COATED RACEWAYS AND ACCESSORIES SHALL BE CAREFULLY INSTALLED WITH RECOMMENDED TOOLS AND PROCEDURES TO AVOID DAMAGE. ANY DAMAGE SHALL BE REPAIRED WITH COMPATIBLE PVC TOUCH-UP MATERIAL TO THE SATISFACTION OF THE ENGINEER OR THE DAMAGED MATERIAL SHALL BE REPLACED AT NO ADDITIONAL COST.
 - THE CONTRACTOR SHALL OBTAIN INSPECTION AND APPROVAL BY THE ENGINEER OF SERVICE RISER GROUND ELECTRODE RIGID ELBOW, NIPPLE AND CONNECTION TO SERVICE CONDUCTOR RACEWAY EXTENSION BEFORE BACKFILL AND SHALL ALSO OBTAIN INSPECTION OF SERVICE RISER AND SEALING BEHIND BEFORE UTILITY 'U' GUARD INSTALLATION AND SERVICE CONNECTION.
 - THE SERVICE METER SOCKET, AS APPLICABLE MOUNTED ELSEWHERE AS INDICATED SHALL BE INCLUDED AND PAID AS PART OF THE ELECTRICAL UTILITY SERVICE INSTALLATION PAY ITEM.
 - THE SERVICE CONDUCTOR RACEWAY SHALL BE AS INDICATED AND SHALL BE MEASURED SEPARATELY FOR PAYMENT. WHEN THE RACEWAY IS PVC-COATED (RIGID GALVANIZED STEEL), THE COUPLING SHALL BE THE SAME. WHEN THE RACEWAY IS PVC CONDUIT OR CONCRETE, THE COUPLING SHALL BE A METAL TO NON METALIC ADAPTER. WHEN THE RACEWAY IS ENCASED IN CONCRETE, THE CONCRETE SHALL EXTEND TO COVER THE COUPLING.
 - PLANS AND DETAILS INDICATE THE GENERAL NATURE AND REQUIREMENTS. THEY DO NOT SHOW EVERY ACCESSORY AND ATTACHMENT. AND THEY DO NOT BELIEVE THE CONTRACTOR OF THE REQUIREMENTS OF THE SPECIFICATIONS AND SPECIAL PROVISIONS TO ASCERTAIN UTILITY REQUIREMENTS AND TO COORDINATE ACCORDINGLY, FURNISHING ALL ITEMS AND WORK NOT PROVIDED BY THE UTILITY, BUT NECESSARY FOR A COMPLETE SERVICE INSTALLATION.



BITUMINOUS PAVEMENT OR CONCRETE SIDEWALK
REMOVAL AND REPLACEMENT



TRENCH DETAIL

REVISIONS	
NAME	DATE

ILLINOIS DEPARTMENT OF TRANSPORTATION

OAK PARK AVENUE
STREET LIGHTING
LIGHTING DETAILS

SCALE: VERT. NA
HORIZ. 1"=50'
DATE 4-6-07

DRAWN BY PS
CHECKED BY TRL/DWS

ROBINSON ENGINEERING, LTD.
1700 SOUTH PARK AVENUE SOUTH HOLLAND, ILLINOIS 60470
708.328.4700 FAX 708.321.3600
ILLINOIS DESIGN FIRM REGISTRATION NO. 15407128