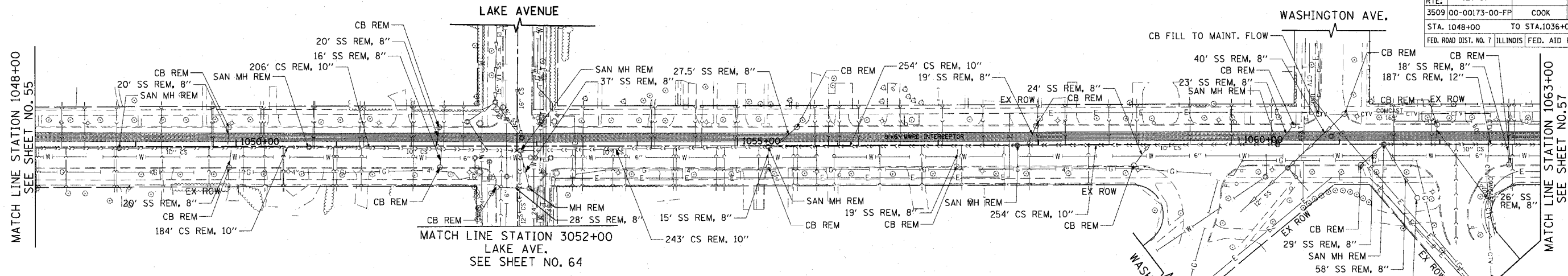


| F.A.U. RTE.                                     | SECTION        | COUNTY          | TOTAL SHEETS | SHEET NO. |
|---|----------------|-----------------|--------------|-----------|
| 3509  | 00-00173-00-FP | COOK            | 246          | 56        |
| STA. 1048+00                                    |                | TO STA. 1036+00 |              |           |
| FED. ROAD DIST. NO. 7 ILLINOIS FED. AID PROJECT |                |                 |              |           |



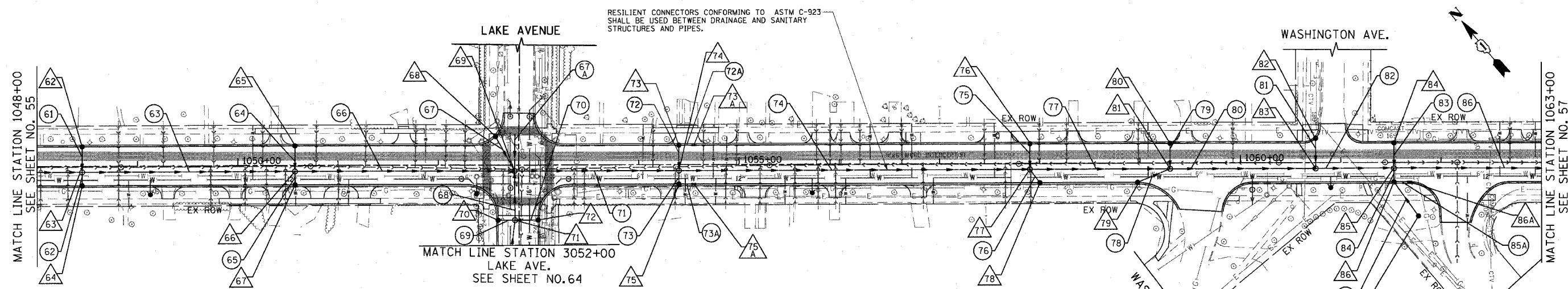
SCHEDULE OF STORM SEWER STRUCTURES

| STRUCTURE NUMBER | STATION   | OFFSET (FT) | TYPE        | FRAME & GRATE | RIM ELEVATION | INVERT |        |        |        |        |        |        |        |
|------------------|-----------|-------------|-------------|---------------|---------------|--------|--------|--------|--------|--------|--------|--------|--------|
|                  |           |             |             |               |               | NORTH  | NE     | EAST   | SE     | SOUTH  | SW     | WEST   | NW     |
| 62               | 1048+45.0 | 19.5' LT    | CB TYPE C   | T23 F & G     | 605.90        |        |        |        |        | 602.15 |        |        |        |
| 63               | 1048+45.0 | 6.0' RT     | MH TA 5 DIA | T1 F, CL      | 606.17        |        |        |        |        | 601.92 |        | 592.65 | 602.04 |
| 64               | 1048+45.0 | 19.5' RT    | CB TYPE C   | T23 F & G     | 605.90        |        |        |        |        | 602.15 |        |        | 592.75 |
| 65               | 1050+57.0 | 19.5' LT    | CB TYPE C   | T23 F & G     | 605.26        |        |        |        |        |        | 601.51 |        |        |
| 66               | 1050+57.0 | 6.0' RT     | MH TA 5 DIA | T1 F, CL      | 605.53        |        |        | 601.28 |        | 591.93 |        |        | 592.03 |
| 67               | 1050+57.0 | 19.5' RT    | CB TYPE C   | T23 F & G     | 605.26        |        |        | 601.51 |        |        |        |        |        |
| 68               | 1052+57.2 | 28.5' LT    | CB TYPE C   | T23 F & G     | 604.51        |        |        |        |        | 600.76 |        |        |        |
| 69               | 1052+76.0 | 6.0' RT     | MH TA 5 DIA | T1 F, CL      | 604.87        | 600.42 | 597.61 |        | 591.19 |        | 598.96 |        | 591.29 |
| 70               | 3052+25.0 | 20.9' LT    | CB TYPE C   | T23 F & G     | 604.16        |        |        |        | 600.54 |        |        |        |        |
| 71               | 3052+25.0 | 4.0' RT     | MH TA 5 DIA | T1 F, CL      | 604.58        |        | 599.09 |        | 600.38 |        | 599.39 |        | 600.40 |
| 72               | 3052+25.0 | 19.1' RT    | CB TYPE C   | T23 F & G     | 604.20        |        |        |        |        |        |        |        | 600.58 |
| 73A              | 1054+55.0 | 19.5' LT    | INLET TA    | T23 F & G     | 604.19        |        |        |        | 600.55 |        |        |        |        |
| 73               | 1054+40.0 | 19.5' LT    | CB TA 4 DIA | T23 F & G     | 604.19        |        |        |        |        |        | 600.44 |        | 600.44 |
| 74               | 1054+40.0 | 6.0' RT     | MH TA 5 DIA | T1 F, CL      | 604.46        |        | 600.21 |        | 590.61 |        | 600.33 |        | 590.71 |
| 75               | 1054+40.0 | 19.5' RT    | CB TA 4 DIA | T23 F & G     | 604.19        |        | 600.44 |        | 600.44 |        |        |        |        |

SCHEDULE OF STORM SEWER PIPES

| PIPE NUMBER | ITEM | CLASS     | TYPE | SIZE | LENGTH (FT) | SLOPE | TBF (CU YD) |
|-------------|------|-----------|------|------|-------------|-------|-------------|
| 61          | SS   | A         | 1    | 12"  | 23.0        | 1.00% | 4           |
| 62          | SS   | WM REQMTS | 1    | 12"  | 11.0        | 1.00% | 2           |
| 63          | SS   | A         | 3    | 36"  | 207.2       | 0.30% | 474         |
| 64          | SS   | A         | 1    | 12"  | 23.0        | 1.00% | 4           |
| 65          | SS   | WM REQMTS | 1    | 12"  | 11.0        | 1.00% | 2           |
| 66          | SS   | A         | 3    | 36"  | 214.0       | 0.30% | 494         |
| 67          | SS   | WM REQMTS | 1    | 12"  | 34.5        | 1.00% | 6           |
| 67A         | SS   | WM REQMTS | 2    | 24"  | 36.0        | 1.00% | 14          |
| 68          | SS   | WM REQMTS | 2    | 15"  | 44.0        | 0.30% | 22          |
| 69          | SS   | WM REQMTS | 1    | 12"  | 14.4        | 1.00% | 3           |
| 70          | SS   | WM REQMTS | 1    | 12"  | 20.6        | 1.00% | 4           |
| 71          | SS   | A         | 3    | 36"  | 159.0       | 0.30% | 372         |
| 72          | SS   | A         | 1    | 12"  | 23.0        | 1.00% | 4           |
| 72A         | SS   | A         | 1    | 12"  | 12.0        | 1.00% | 2           |
| 73          | SS   | WM REQMTS | 1    | 12"  | 11.0        | 1.00% | 2           |

EXISTING



SCHEDULE OF STORM SEWER STRUCTURES

| STRUCTURE NUMBER | STATION   | OFFSET (FT) | TYPE        | FRAME & GRATE | RIM ELEVATION | INVERT |        |        |        |        |        |      |        |
|------------------|-----------|-------------|-------------|---------------|---------------|--------|--------|--------|--------|--------|--------|------|--------|
|                  |           |             |             |               |               | NORTH  | NE     | EAST   | SE     | SOUTH  | SW     | WEST | NW     |
| 75A              | 1054+55.0 | 19.5' RT    | INLET TA    | T23 F & G     | 604.19        |        |        |        |        |        |        |      | 600.55 |
| 76               | 1057+90.0 | 19.5' LT    | CB TYPE C   | T23 F & G     | 603.78        |        |        |        |        |        | 600.03 |      |        |
| 77               | 1057+90.0 | 6.0' RT     | MH TA 5 DIA | T1 F, CL      | 604.05        |        | 599.80 |        | 589.48 |        | 599.86 |      | 589.58 |
| 78               | 1058+00.0 | 19.5' RT    | CB TYPE C   | T23 F & G     | 603.75        |        | 600.00 |        |        |        |        |      |        |
| 79               | 1058+98.8 | 19.5' RT    | CB TYPE C   | T23 F & G     | 603.46        |        |        | 599.71 |        |        |        |      |        |
| 80               | 1059+29.8 | 19.5' LT    | CB TYPE C   | T23 F & G     | 603.36        |        |        |        |        | 599.61 |        |      |        |
| 81               | 1059+29.8 | 6.0' RT     | MH TA 5 DIA | T1 F, CL      | 603.63        |        | 599.38 |        | 588.97 |        | 599.39 |      | 589.07 |
| 82               | 1060+74.9 | 24.2' LT    | CB TYPE C   | T23 F & G     | 602.90        |        |        |        |        | 599.15 |        |      |        |
| 83               | 1060+75.0 | 6.0' RT     | MH TA 5 DIA | T1 F, CL      | 603.20        |        | 598.92 |        | 588.45 |        |        |      | 588.55 |
| 84               | 1061+53.0 | 19.5' LT    | CB TYPE C   | T23 F & G     | 602.69        |        |        |        |        |        | 598.94 |      |        |
| 85               | 1061+53.0 | 6.0' RT     | MH TA 5 DIA | T1 F, CL      | 602.96        |        | 598.71 |        | 588.13 |        | 598.83 |      | 588.23 |
| 86               | 1061+53.0 | 19.5' RT    | CB TA 4 DIA | T23 F & G     | 602.69        |        | 598.94 |        | 598.94 |        | 598.94 |      |        |
| 86A              | 1061+68.9 | 19.5' RT    | INLET TA    | T23 F & G     | 602.65        |        |        |        |        |        |        |      | 599.06 |
| 87               | 1061+77.4 | 53.6' RT    | CB TYPE C   | T8 GRATE      | 603.09        | 599.32 |        |        |        |        |        |      |        |

SCHEDULE OF STORM SEWER PIPES

| PIPE NUMBER | ITEM | CLASS     | TYPE | SIZE | LENGTH (FT) | SLOPE | TBF (CU YD) |
|-------------|------|-----------|------|------|-------------|-------|-------------|
| 74          | SS   | A         | 3    | 42"  | 345.0       | 0.30% | 878         |
| 75          | SS   | A         | 1    | 12"  | 23.0        | 1.00% | 4           |
| 76          | SS   | WM REQMTS | 1    | 12"  | 14.3        | 1.00% | 3           |
| 77          | SS   | A         | 3    | 42"  | 134.8       | 0.30% | 358         |
| 78          | SS   | WM REQMTS | 1    | 12"  | 32.5        | 1.00% | 5           |
| 79          | SS   | A         | 1    | 12"  | 23.0        | 1.00% | 4           |
| 80          | SS   | A         | 3    | 42"  | 140.2       | 0.30% | 376         |
| 81          | SS   | A         | 1    | 12"  | 23.0        | 1.00% | 4           |
| 82          | SS   | A         | 3    | 42"  | 73.0        | 0.30% | 198         |
| 83          | SS   | A         | 1    | 12"  | 23.0        | 1.00% | 4           |
| 84          | SS   | WM REQMTS | 1    | 12"  | 11.0        | 1.00% | 2           |
| 85          | SS   | A         | 1    | 12"  | 38.9        | 1.00% | 1           |
| 85A         | SS   | WM REQMTS | 1    | 12"  | 12.9        | 1.00% | 2           |
| 86          | SS   | A         | 3    | 42"  | 168.7       | 0.30% | 461         |

PROPOSED

| REVISIONS |      |
|-----------|------|
| NAME      | DATE |
|           |      |
|           |      |
|           |      |
|           |      |
|           |      |

ILLINOIS DEPARTMENT OF TRANSPORTATION  
**DRAINAGE & UTILITY PLAN**  
 SHERIDAN ROAD  
 STATION 1048+00 TO STATION 1063+00

DATE 7/13/07  
 DRAWN BY LTD  
 CHECKED BY BJL

50' 0 50'  
 HORIZ. 1"=50'

PLOT DATE = 7/13/2007  
 FILE NAME = C:\Users\jg0005\work\sherdan\dup\83964.dwg  
 PLOT SCALE = 1/8"=1'-0"  
 USER NAME = b.johnson

1051 PERIMETER DRIVE, SUITE 1025  
 SCHUMBERG, ILLINOIS 60173  
 (647) 605-8800

