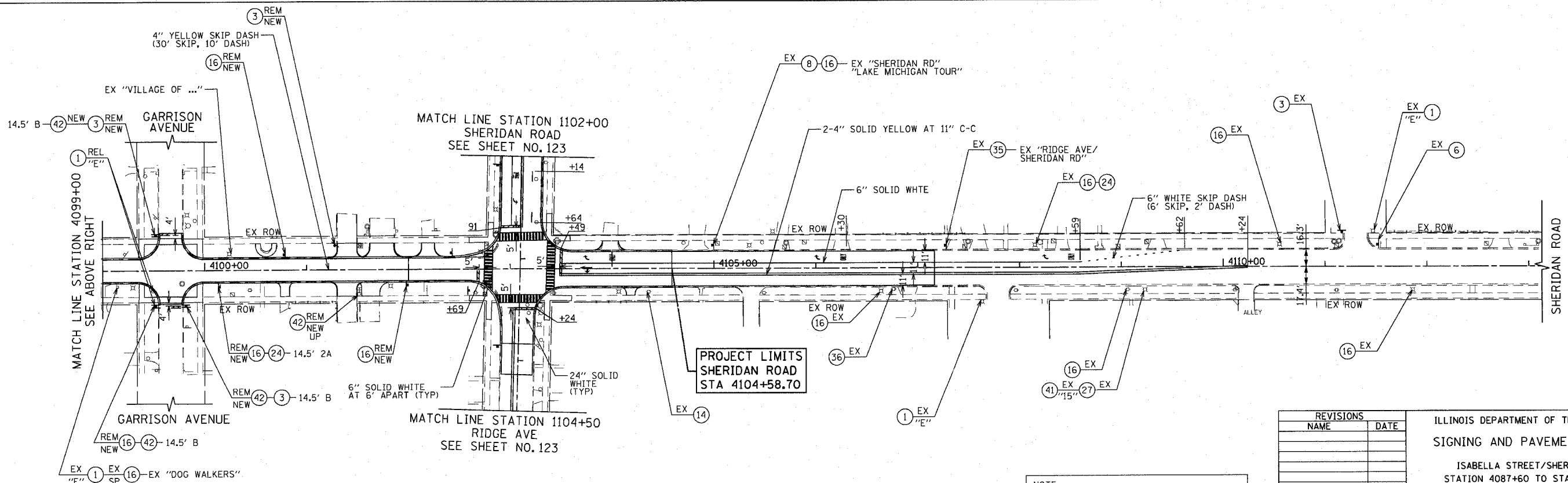
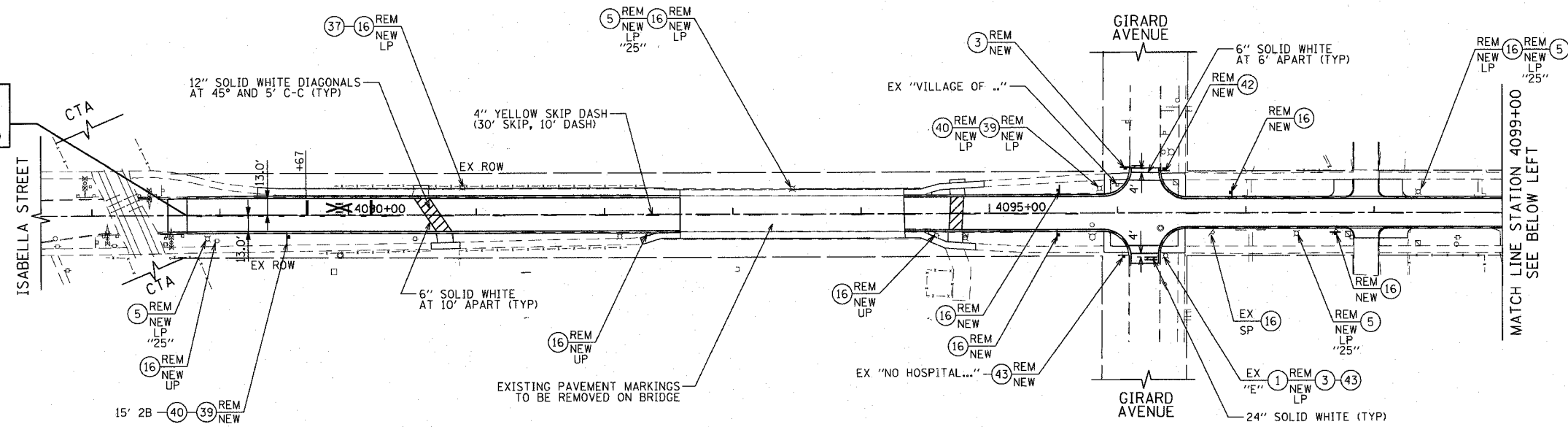


F.A.U. RTE.	SECTION	COUNTY	TOTAL SHEETS	SHEET NO.
3509	00-00773-00-FF	COOK	246	124
STA. 4087+60		TO STA. 4113+13		
FED. ROAD DIST. NO. 7		ILLINOIS FED. AID PROJECT		

PLOT DATE = 7/12/2007
 FILE NAME = g:\a086\086000\one\shp\shp\shp06.sht
 USER NAME = bjohnson

PROJECT LIMITS
ISABELLA STREET
STATION 4088+74.25

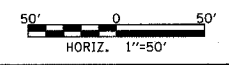


PROJECT LIMITS
SHERIDAN ROAD
STA 4104+58.70

NOTE:
 SEE SHEET NO. 119 FOR NOTES AND LEGEND.

REVISIONS	
NAME	DATE

ILLINOIS DEPARTMENT OF TRANSPORTATION
SIGNING AND PAVEMENT MARKING
 ISABELLA STREET/SHERIDAN ROAD
 STATION 4087+60 TO STATION 4113+13



DATE 7/13/07
 DRAWN BY LTD
 CHECKED BY BJL

1051 PERIMETER DRIVE, SUITE 1025
 SCHAMBERG, ILLINOIS 60173
 (847) 605-8800

