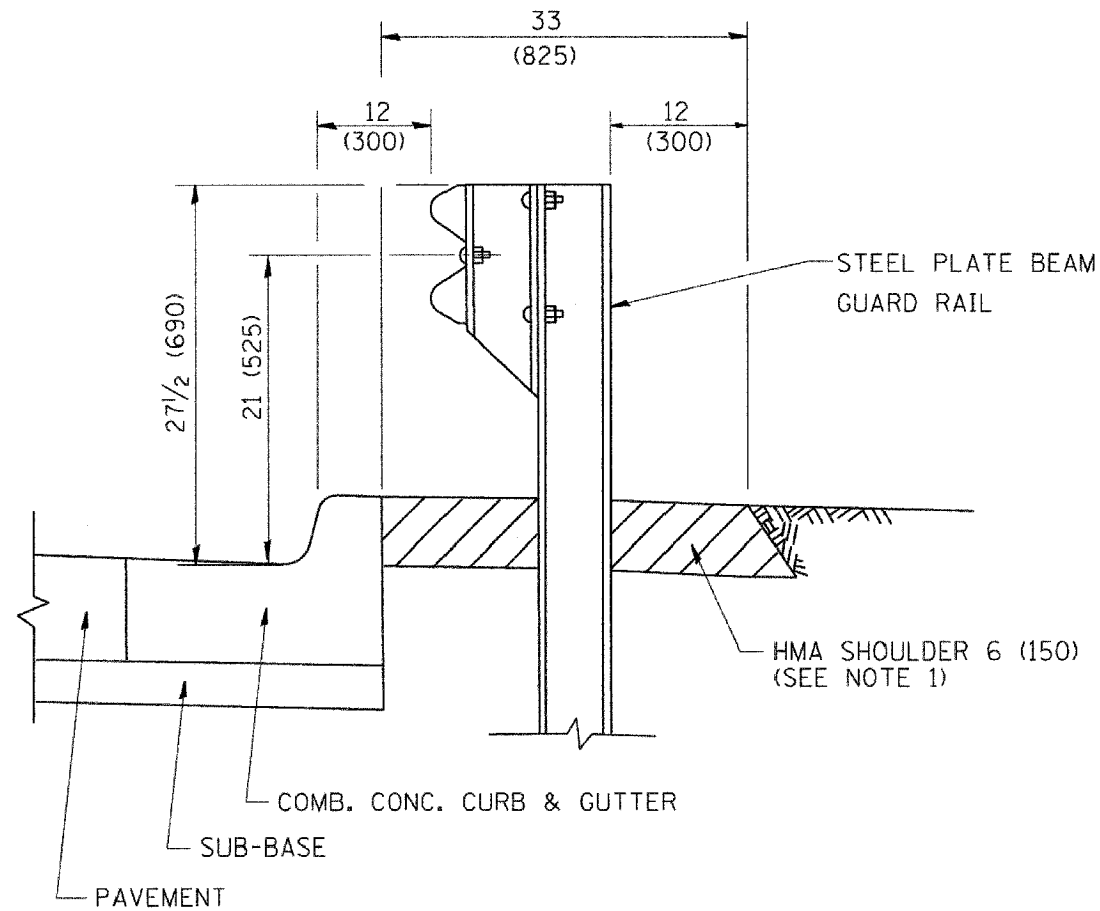


F.A. RTE.	SECTION	COUNTY	TOTAL SHEETS	SHEET NO.
3509 DO-00173-00-FP		COOK	246	179
STA.		TO STA.		
FED. ROAD DIST. NO. 1 ILLINOIS		FED. AID PROJECT		

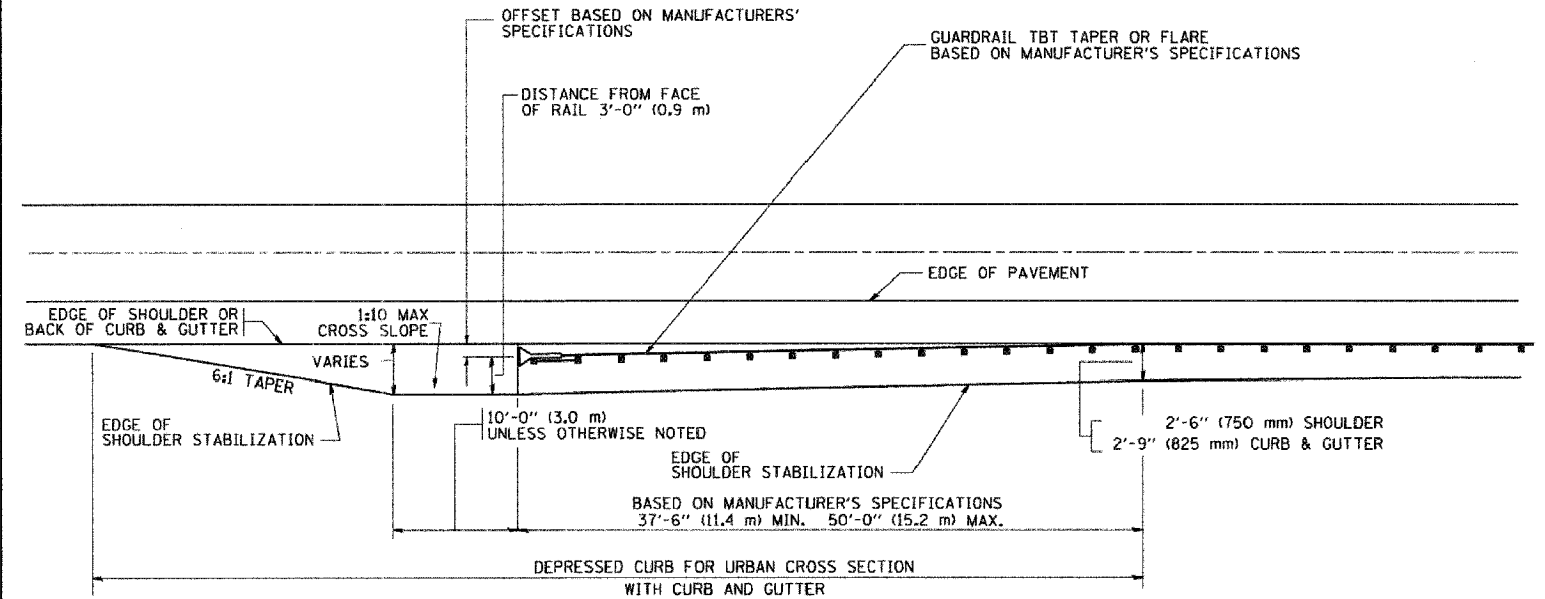


- NOTES: 1. THE HMA SHOULDER SHALL EXTEND UNDER THE TRAFFIC BARRIER TERMINAL
2. GUARD RAIL MAY BE PLACED AT THE BACK OF CURB WHEN DIRECTED BY THE ENGINEER.

BASIS OF PAYMENT: HMA SHOULDER 6 (150) WILL BE PAID FOR AT THE CONTRACT UNIT PRICE PER SQUARE YARD (SQUARE METER) FOR "HOT-MIX ASPHALT SHOULDER 6" (150 mm)".

STEEL PLATE BEAM GUARD RAIL AND TRAFFIC BARRIER TERMINAL, OF THE TYPE SPECIFIED WILL BE PAID FOR SEPARATELY.

DETAILS FOR STEEL PLATE BEAM GUARD RAIL ADJACENT TO CURB AND GUTTER
 [FOR ROADWAY SPEED 35 MPH (60 kmh) TO 45 MPH (70 kmh)]



STABILIZATION AT TBT TY. 1 SPL.

TBT = TRAFFIC BARRIER TERMINAL
 ALL DIMENSIONS ARE IN INCHES (MILLIMETERS) UNLESS OTHERWISE SHOWN.

REVISIONS	
NAME	DATE
M. DE YONG	09-22-90
M. DE YONG	07-14-92
R. SHAH	09/09/94
R. SHAH	10/25/94
R. SHAH	02/23/95
A. ABBAS	03/21/97
E. GOMEZ	08/28/00
R. BORO	01/01/07

ILLINOIS DEPARTMENT OF TRANSPORTATION
DETAILS FOR STEEL PLATE BEAM GUARD RAIL ADJACENT TO CURB AND GUTTER STABILIZATION AT TBT TY 1 SPL.

SCALE: VERT. NONE
 HORIZ. NONE
 DRAWN BY jls
 CHECKED BY

PLOT DATE: 3/6/2007
 PLOT SCALE: 1/8"=1'-0"
 USER NAME: bborodl