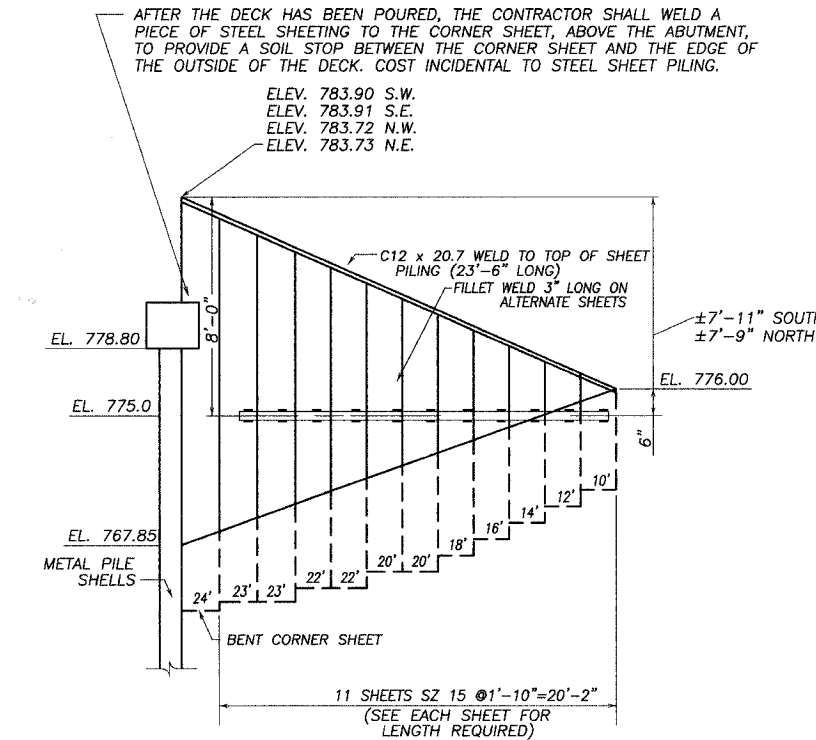
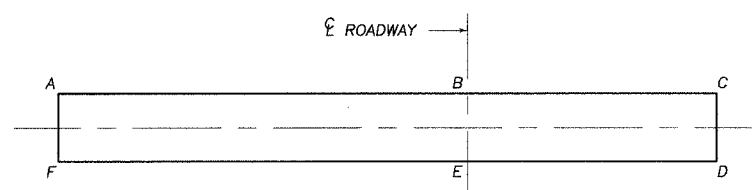


ELEVATION
 ALL HORIZONTAL DIMENSIONS ARE ALONG CENTERLINE OF CAP
 *FOR CAP ELEVATIONS, SEE TABLE BELOW

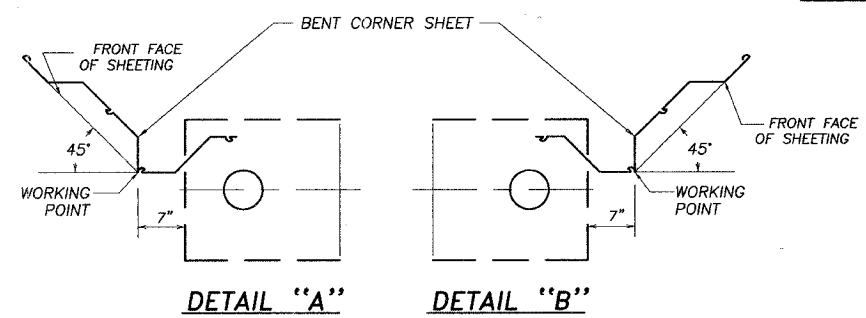


WINGWALL ELEVATION



| LOCATION | ELEV. | A | B | C | D | E | F |
|------------|-------|--------|--------|--------|--------|--------|--------|
| EAST ABUT. | | 781.30 | 781.30 | 781.30 | 781.30 | 781.30 | 781.30 |
| WEST ABUT. | | 781.30 | 781.30 | 781.30 | 781.30 | 781.30 | 781.30 |

ELEVATION TOP OF ABUTMENT CAP
 (LOOKING EAST)



DETAIL "A"

DETAIL "B"

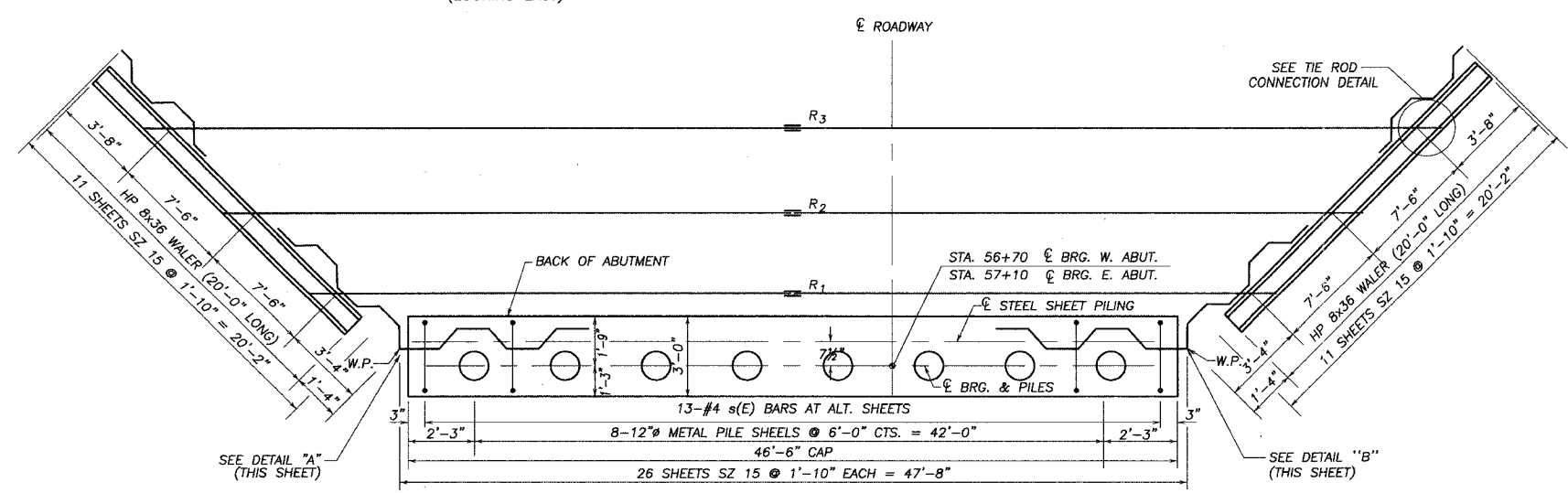
BILL OF MATERIAL - ABUTMENTS

| BAR | NO. | SIZE | LENGTH | SHAPE | |
|---|-----|------|--------|---------|------|
| p(E) | 40 | #7 | 24'-9" | — | |
| s(E) | 26 | #4 | 6'-10" | □ | |
| s1(E) | 110 | #4 | 9'-9" | □ | |
| u(E) | 16 | #6 | 11'-7" | — | |
| CONCRETE STRUCTURES | | | | CU. YD. | 25.1 |
| REINFORCEMENT BARS, EPOXY COATED | | | | LBS. | 3140 |
| FURNISHING METAL PILE SHELLS - 12" | | | | FOOT | 583 |
| TEST PILE METAL PILE SHELLS - 12" | | | | EACH | 1 |
| STEEL SHEET PILING | | | | SQ. FT. | 3550 |
| HARDWARE | | | | LBS. | 3084 |
| FURNISHING AND ERECTING STRUCTURAL STEEL* | | | | LBS. | 4826 |

REINFORCEMENT BARS INDICATED (E) SHALL BE EPOXY COATED.
 * INCLUDES WALERS & CHANNELS

PILE DATA

TYPE : 12"Ø METAL PILE SHELLS
 CAPACITY : 80 KIPS MINIMUM
 NO. REQUIRED : 7+1 TEST PILE - WEST ABUT.
 8 EAST ABUT.
 EST. LENGTH: 41' WEST ABUT.
 37' EAST ABUT.
 MIN. PENETRATION 15' BELOW STEAMBED



PLAN
 EAST ABUTMENT LOOKING EAST
 WEST ABUTMENT SIMILAR

SUBSTRUCTURE - ABUTMENTS
 SECTION 04-00206-00-BR
 CHERRY VALLEY ROAD
 DEKALB COUNTY
 S.N. 019-3061