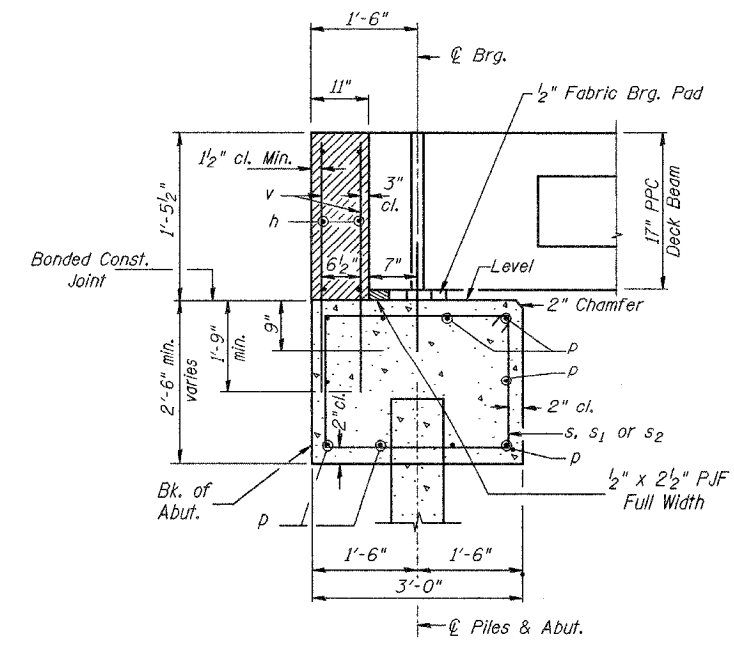
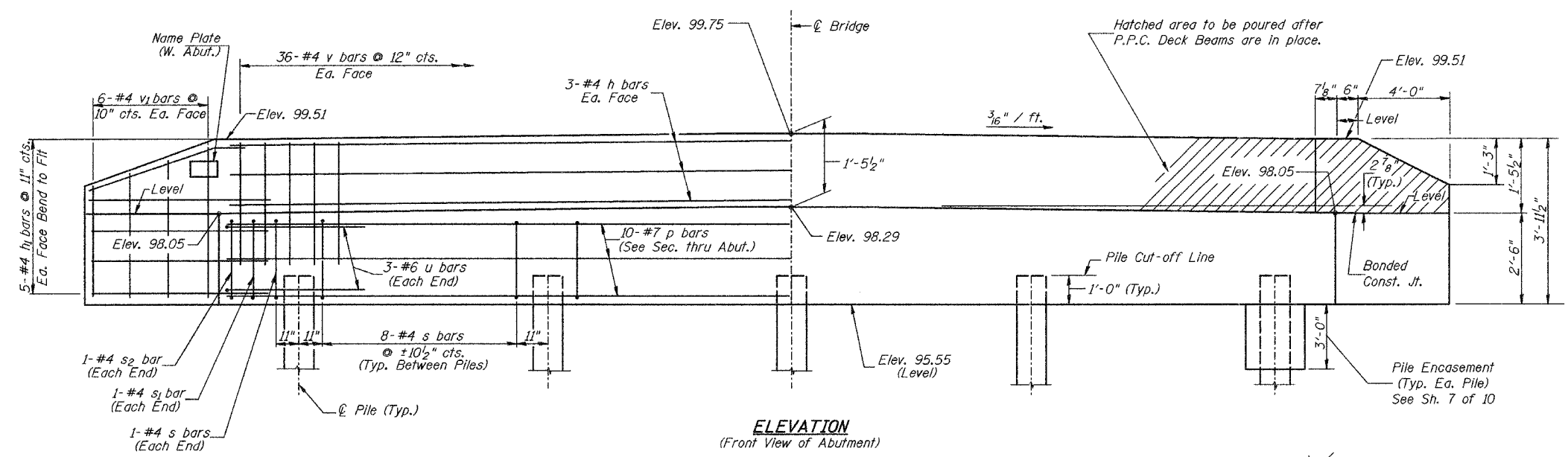


PLAN



SECTION THRU ABUT.
(At Right Angles)



ELEVATION
(Front View of Abutment)

**TWO ABUTMENTS
BILL OF MATERIAL**

BAR NO.	SIZE	LENGTH	SHAPE
h	#4	35'-7"	—
h ₁	#4	6'-6"	—
p	#7	35'-7"	—
s	#4	10'-5"	□
s ₁	#4	7'-8"	□
s ₂	#4	8'-4"	□
u	#6	12'-0"	▤
v	#4	3'-1"	—
v ₁	#4	6'-1"	—
Concrete Structures			CU YD 26.4
① Reinforcement Bars			POUND 3,040
Structure Excavation			CU YD 70
Name Plates			EACH 1
Furnishing Metal Shell Piles 12"			FOOT 306
Driving Piles			FOOT 306
Test Pile Metal Shells			EACH 1
Concrete Encasement			CU YD 2.6

① See Special Provisions

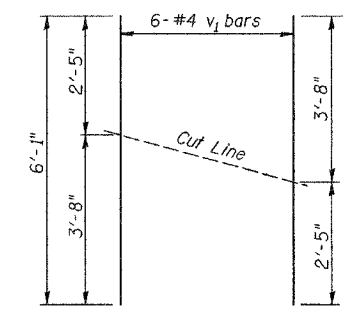
DESIGN STRESSES
 $f'_c = 3,500$ p.s.i.
 $f_y = 60,000$ p.s.i.

NOTES

- The Backwall and the portion of the Wingwalls above the bonded construction joint shall be cast against the in-place beam.
- Reinforcement bars shall conform to A.A.S.H.T.O. M-31 or M-322, Grade 60.

PILE DATA

Type & Size: Metal Shell-12" x 0.25" walls
 Nominal Required Bearing: 150 kips
 Allowable Resistance Available: 50 kips
 Est. Length: 34' Each Abutment
 No. Req'd: 10 (Includes 1 Test Pile at East Abut.)



BAR CUTTING DIAGRAM

Order v₁ bars full length. Cut as shown and use remainder of bars in opposite face.

ABUTMENTS
T.R. 251 OVER COON CREEK
SECTION 98-26104-01-BR / 98-25104-01-BR
IROQUOIS COUNTY
STATION 59+90.00