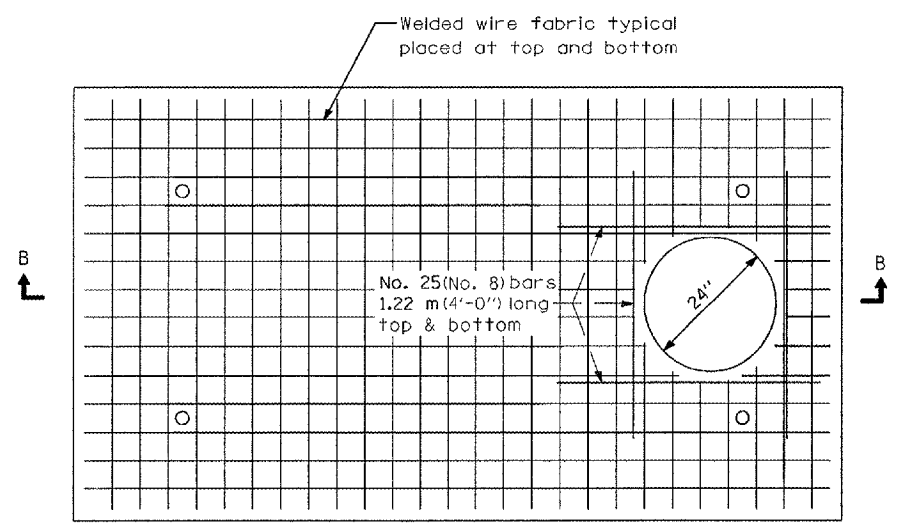


F.A.U. RTE.	SECTION	COUNTY	TOTAL SHEETS	SHEET NO.
6711	00-00164-00-SP	TAZEWELL	80	66
STA.		TO STA.		
FED. ROAD DIST. NO.		ILLINOIS FED. AID PROJECT		



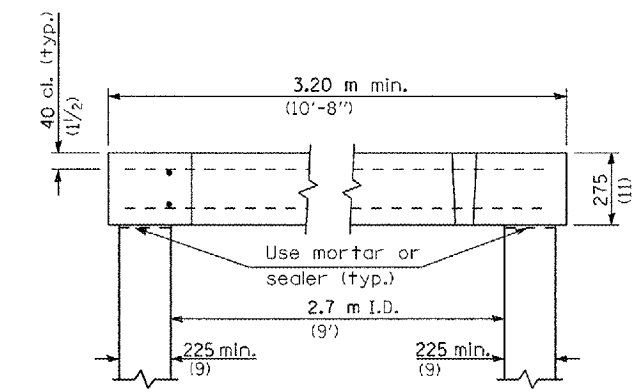
PLAN

Showing Welded Wire Fabric Reinforcement

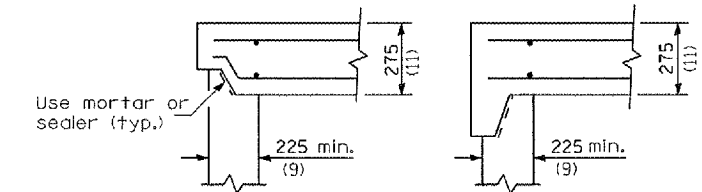
Diameter of opening	Reinforcement Bar Size	Reinforcement "As" WWF each direction
600 (24)	Bottom mat No. 25 (No. 8)	Bottom mat *** 3620 sq. mm/m (1.71) sq. in./ft.
	Top mat No. 13 (No. 4)	Top mat *** 510 sq. mm/m (0.24) sq. in./ft.

*** A maximum of two layers of welded wire fabric may be used to satisfy the required "As" for each mat.

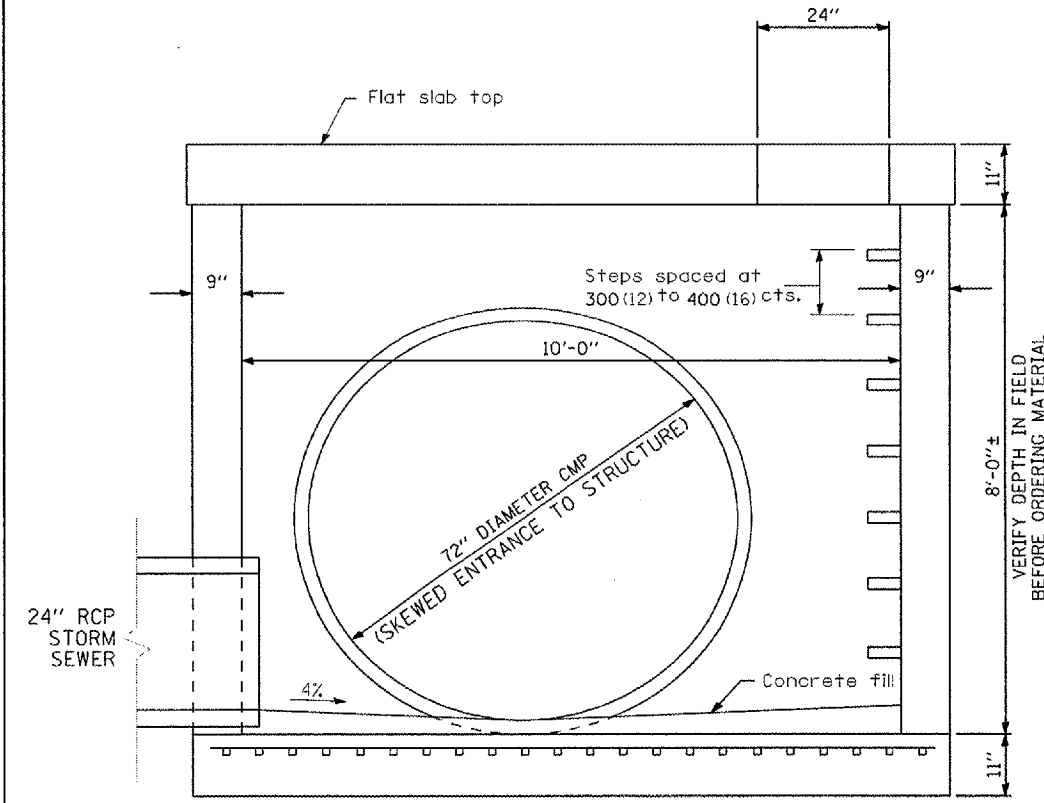
ALTERNATE MATERIALS FOR RISER WALLS	T (min)
Concrete Masonry Units	125 (5)
Precast Reinforced Concrete Sections	100 (4)
Cast-in-Place Concrete	150 (6)



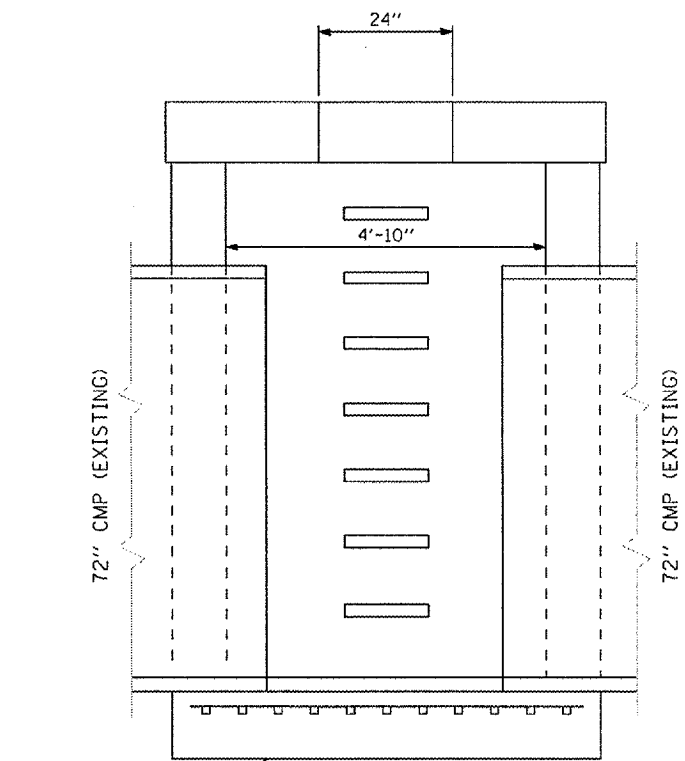
SECTION B-B



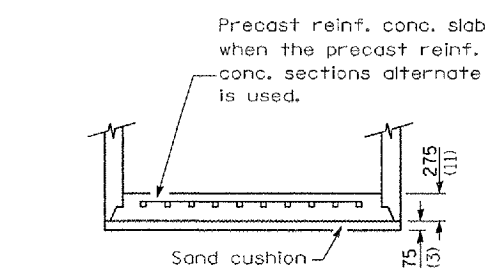
ALTERNATE JOINT CONFIGURATIONS



ELEVATION



ELEVATION



ALTERNATE BOTTOM SLABS

GENERAL NOTES

Joint configuration and dimensions of flat slab top shall match and fit the riser joint detail.

Lifting devices shall be approved by the Engineer.

Bottom slabs shall be reinforced with a minimum of 1420 sq. mm/m (0.67 sq. in./ft.) in both directions.

See Standard 602701 for details of manhole steps.

All dimensions are in millimeters (inches) unless otherwise shown.

