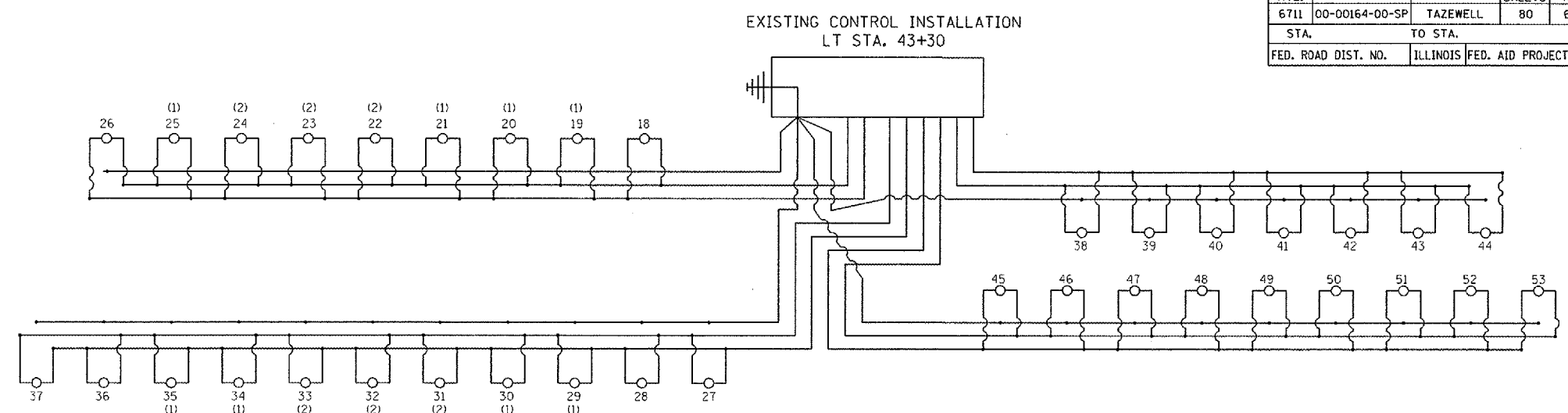
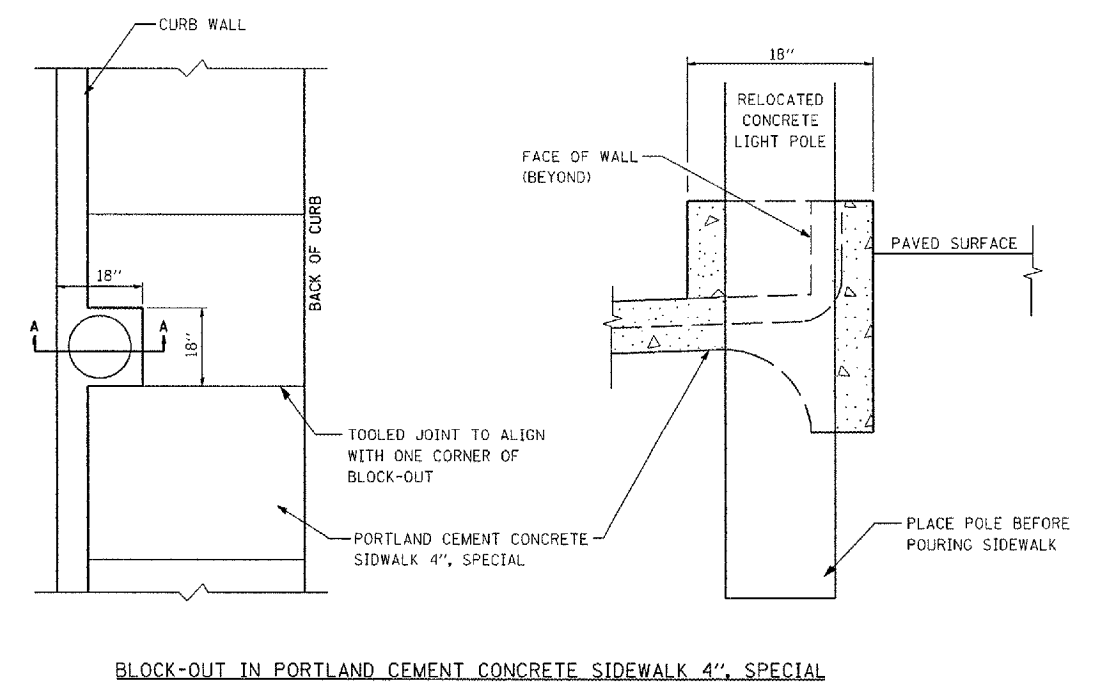
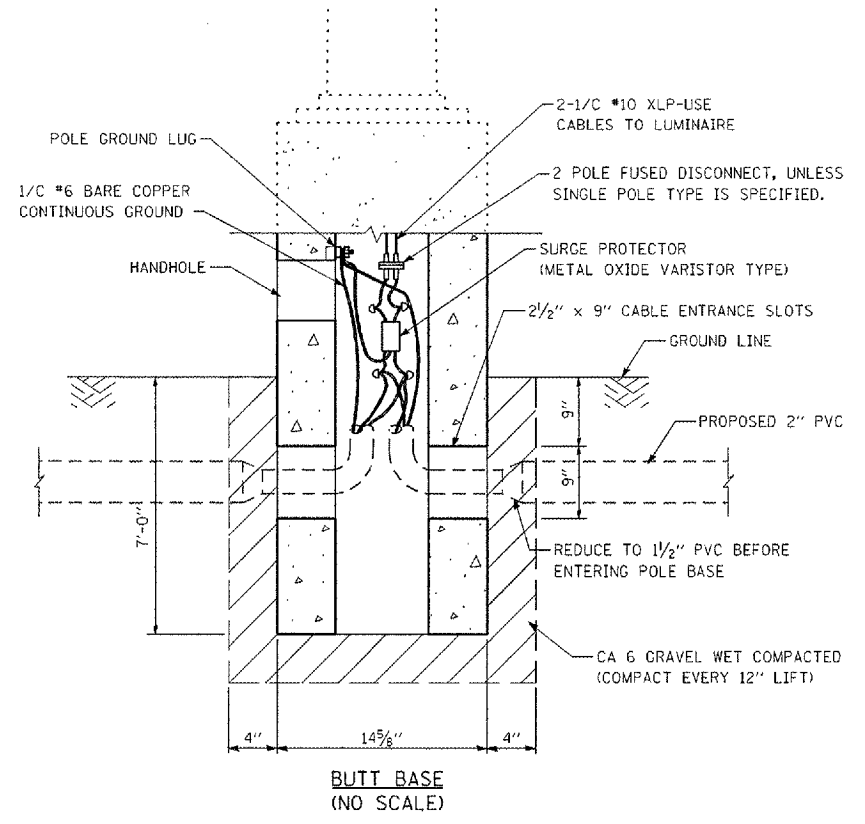
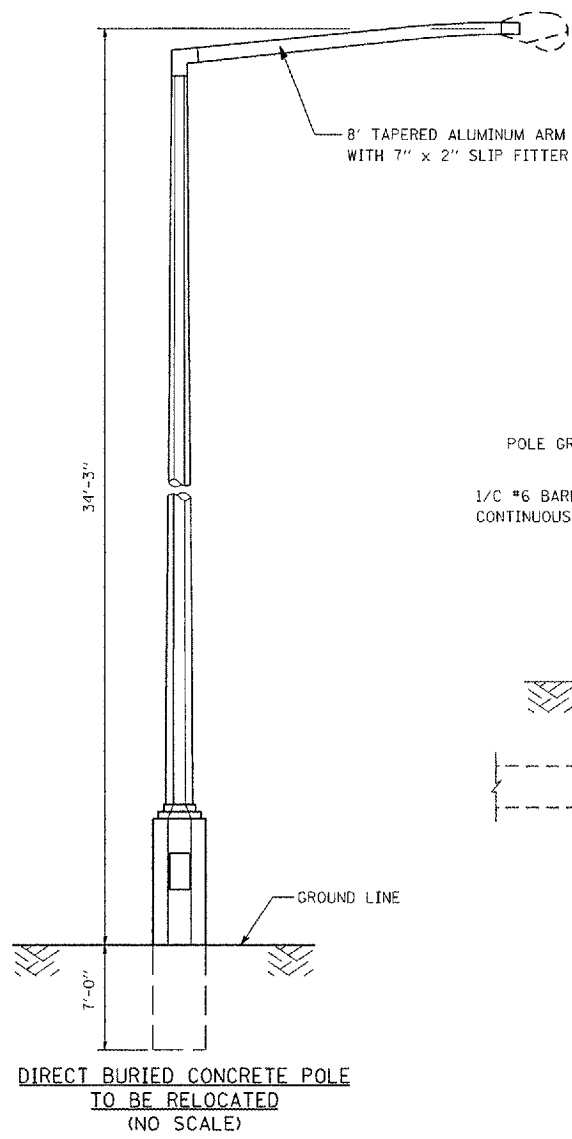


F.A.U. RTE.	SECTION	COUNTY	TOTAL SHEETS	SHEET NO.
6711	00-00164-00-SP	TAZEWELL	80	69
STA. TO STA.		ILLINOIS FED. AID PROJECT		

SCHEDULE OF QUANTITIES		
EXIST POLE #	STA	ITEM
19	LT	RELOCATE EXISTING LIGHTING UNIT
20	LT	RELOCATE EXISTING LIGHTING UNIT
21	LT	RELOCATE EXISTING LIGHTING UNIT
22	LT	REMOVE EXISTING LIGHTING UNIT, SALVAGE
23		REMOVE EXISTING LIGHTING UNIT, SALVAGE
24	LT	REMOVE EXISTING LIGHTING UNIT, SALVAGE
25	LT	RELOCATE EXISTING LIGHTING UNIT
29	RT	RELOCATE EXISTING LIGHTING UNIT
30	RT	RELOCATE EXISTING LIGHTING UNIT
31	RT	REMOVE EXISTING LIGHTING UNIT, SALVAGE
32	RT	REMOVE EXISTING LIGHTING UNIT, SALVAGE
33	RT	REMOVE EXISTING LIGHTING UNIT, SALVAGE
34	RT	RELOCATE EXISTING LIGHTING UNIT
35	RT	RELOCATE EXISTING LIGHTING UNIT



SUMMARY OF EXISTING LIGHTING QUANTITIES		TOTAL
(1) - RELOCATE EXISTING LIGHTING UNIT		8 EACH
(2) - REMOVE EXISTING LIGHTING UNIT, SALVAGE		6 EACH



MAURER-STUTZ, INC.