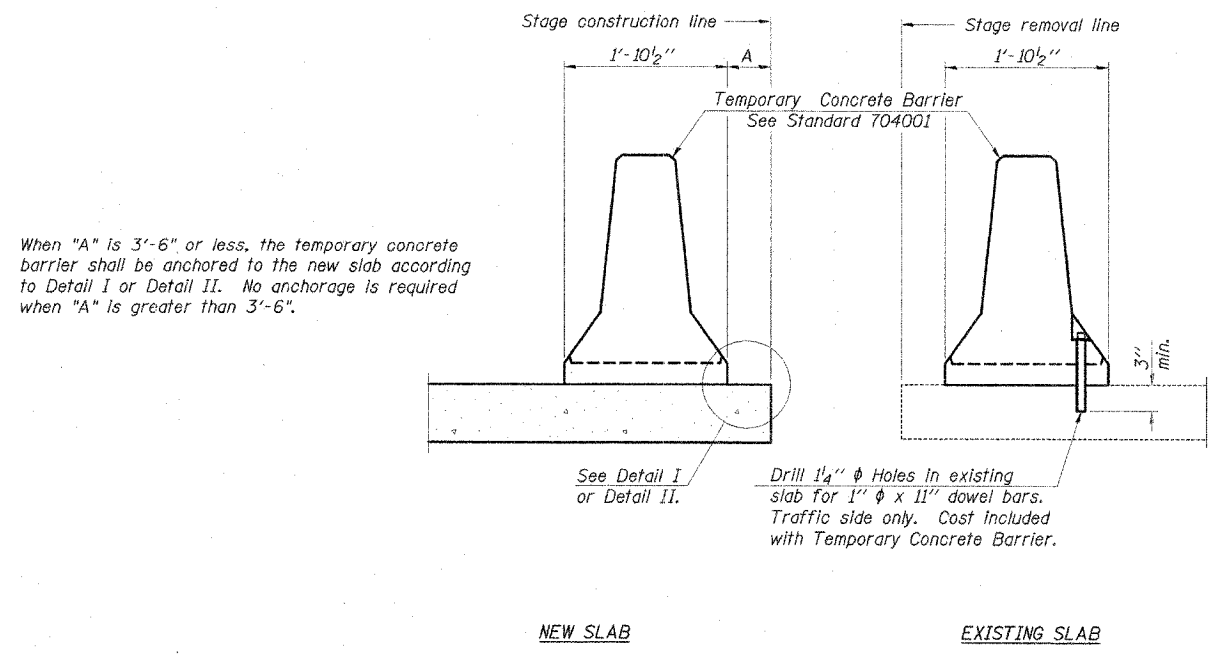


F.A.D. RTE.	SECTION *	COUNTY	TOTAL SHEETS	SHEET NO.
	05-00444-00-BR	SANGAMON	33	11
STA.	TO STA.			
FED. ROAD DIST. NO.	ILLINOIS	FED. AID PROJECT		
*CITY OF SPRINGFIELD SHEET 5 OF 24 SHEETS				



When "A" is 3'-6" or less, the temporary concrete barrier shall be anchored to the new slab according to Detail I or Detail II. No anchorage is required when "A" is greater than 3'-6".

See Detail I or Detail II.  
 Drill 1/4"  $\phi$  Holes in existing slab for 1"  $\phi$  x 11" dowel bars. Traffic side only. Cost included with Temporary Concrete Barrier.

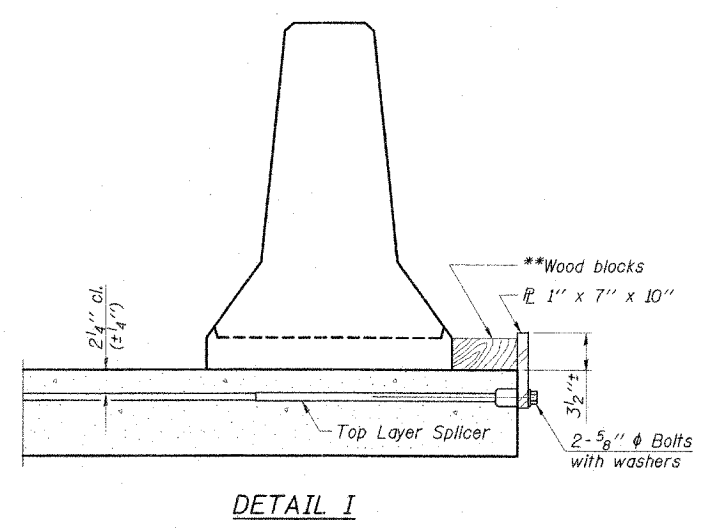
SECTIONS THRU SLAB

NOTES

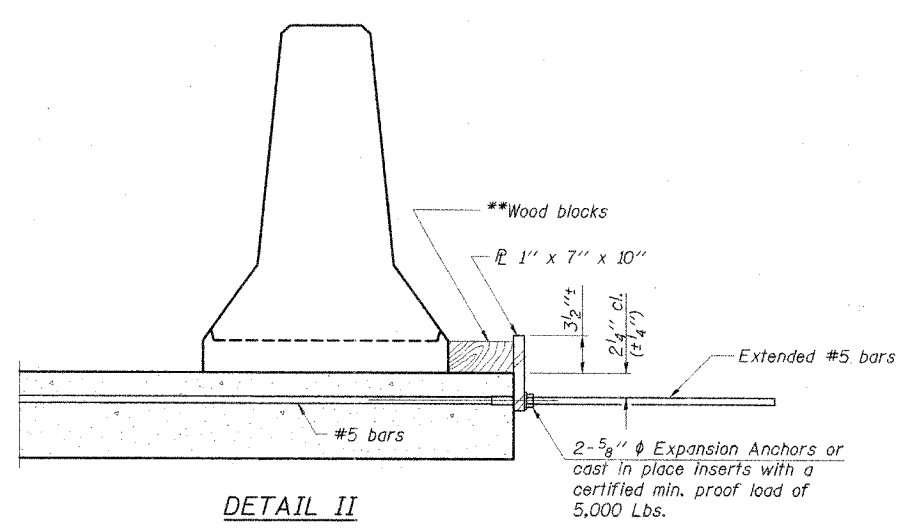
**Detail I - With Bar Splicer or Couplers:**  
 Connect one (1) 1"x7"x10" steel  $\bar{r}$  to the top layer of couplers with 2-5/8"  $\phi$  bolts screwed to coupler at approximate  $\bar{c}$  of each barrier panel.

**Detail II - With Extended Reinforcement Bars:**  
 Connect one (1) 1"x7"x10" steel  $\bar{r}$  to the concrete slab with 2-5/8"  $\phi$  Expansion Anchors or cast in place inserts spaced between the top layer of reinforcement at approximate  $\bar{c}$  of each barrier panel.

Cost of anchorage is included with Temporary Concrete Barrier. The 1" x 7" x 10" plate shall not be removed until stage II construction forms and all reinforcement bars are in place and the concrete is ready to be placed.

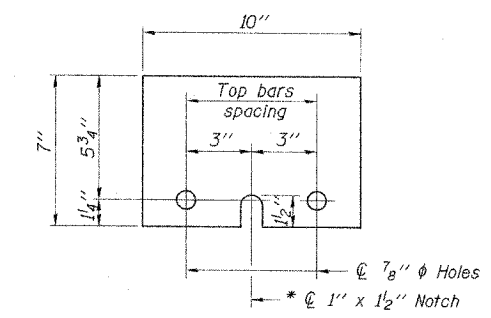


DETAIL I



DETAIL II

\*\* Wood blocks may be omitted when required to provide minimum stage traffic lane width. When the wood blocks are omitted, the concrete barrier shall be in direct contact with the steel retainer plate.

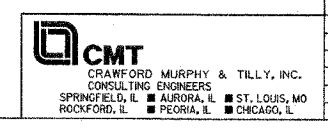


STEEL RETAINER 1" x 7" x 10"  
 \* Required only with Detail II

L:\Springfield\0502503\Draw\Sheets\TEMP CONC BARR R-27.dgn 6/12/2007

R-27

11-1-06



REVISIONS	
NAME	DATE

CITY OF SPRINGFIELD, ILLINOIS  
**TEMPORARY CONCRETE BARRIER**  
 FAU 8006-BRUNS LANE OVER SPRING CREEK  
 SECTION 05-00444-00-BR  
 SANGAMON COUNTY  
 STATION 115+77.50 S.N. 084-6017  
 SCALE: NONE DRAWN BY: GLD  
 DATE: 6/19/07 CHECKED BY: WK