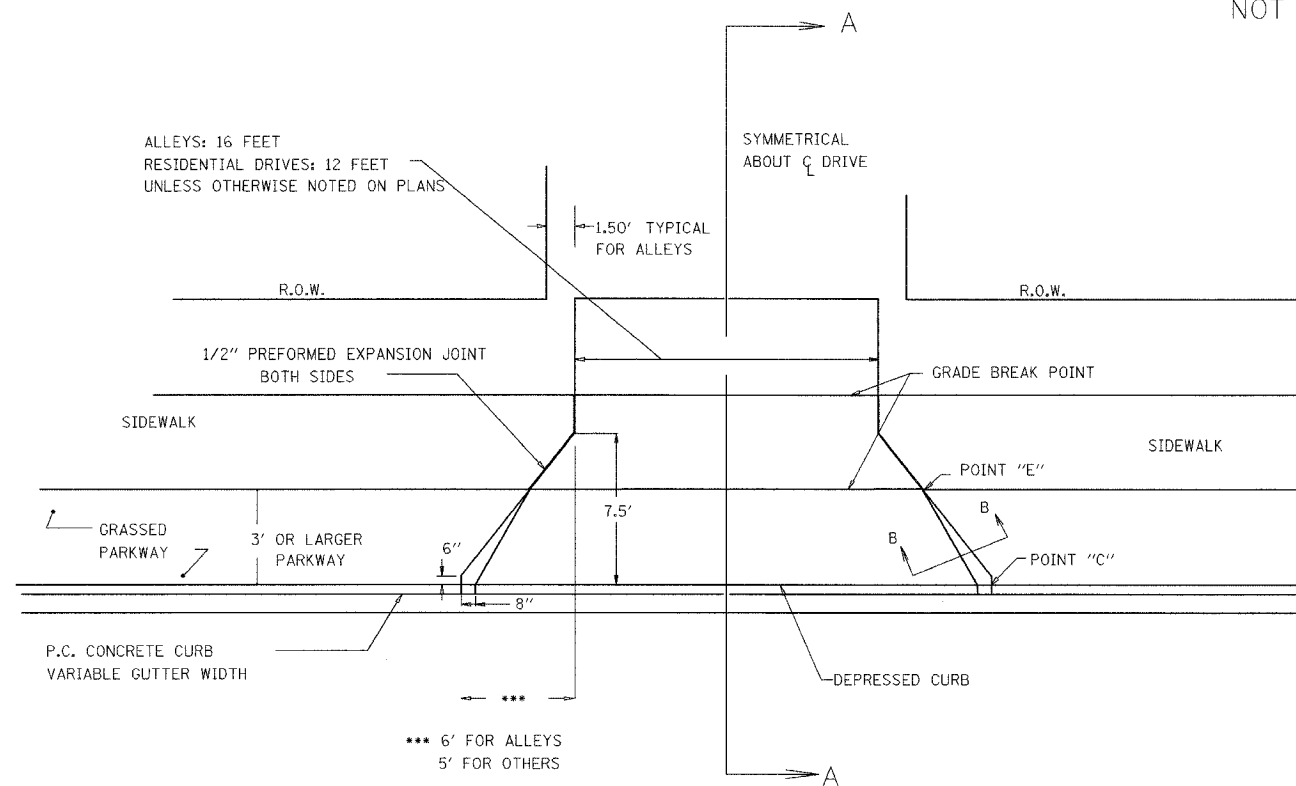


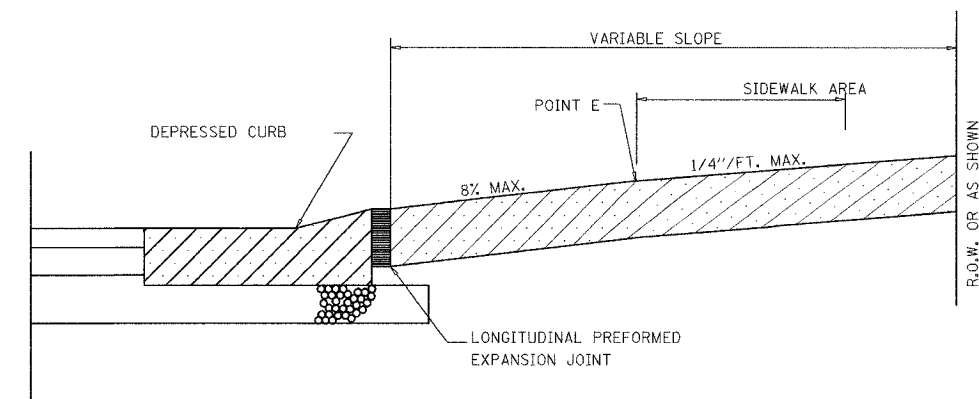
MUNICIPALITY	SECTION	COUNTY	TOTAL SHEETS	SHEET NO.
QUINCY	06-00300-00-LS	ADAMS	69	60

CITY OF QUINCY ALLEY AND DRIVEWAY STANDARDS

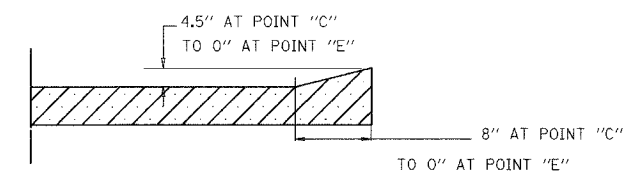
NOT TO SCALE



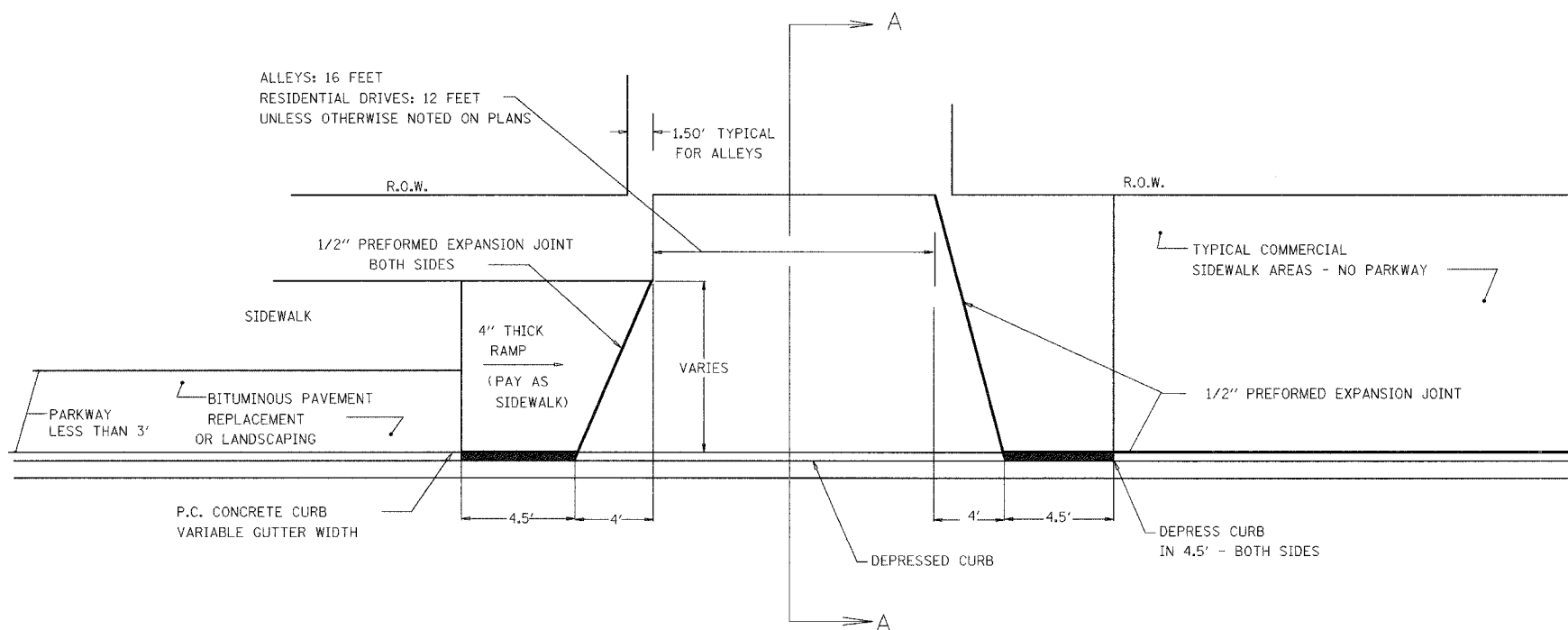
TYPICAL ENTRANCE - 3' PARKWAY OR GREATER



SECTION A-A



SECTION B-B



TYPICAL ENTRANCE - LESS THAN 3' PARKWAY

NOTES

1. CLASS PV CONCRETE SHALL BE USED THROUGH-OUT.
2. THE INSTALLATION OF 1/2" PREFORMED EXPANSION JOINTS WHERE REQUIRED SHALL BE INCLUDED IN THE UNIT PRICE BID FOR P.C.C. DRIVEWAY PAVEMENT.
3. THE UNIT PRICE BID FOR THIS ITEM SHALL INCLUDE THE FURNISHING OF ALL LABOR AND MATERIALS NECESSARY TO CONSTRUCT THE P.C.C. DRIVEWAY PAVEMENT.
4. DRIVEWAY MAY REQUIRE A SLOPE CHANGE AT DETERMINED DISTANCES BEHIND CURB FOR SIDEWALK OR DRAINAGE CORRECTIONS DUE TO EXCESSIVE OR INADEQUATE SLOPE OF STRAIGHT LINE GRADE.
5. COST OF CONSTRUCTING A SLOPE CHANGE IF NECESSARY AND ALL JOINTING SHALL BE INCIDENTAL TO THE COST PER SQUARE YARD OF P.C.C. DRIVEWAY PAVEMENT.
6. REFER TO CROSS SECTIONS FOR DRIVE AND SIDEWALK CROSS SLOPES.
7. REFER TO PLAN AND PROFILE SHEETS FOR DRIVEWAY WIDTHS OR MATCH EXISTING.
8. SAW OR SCRATCH JOINTS IN EACH ENTRANCE SO THAT NO SECTION REMAINS LARGER THAN 12 FEET IN ANY DIMENSION.
9. MAXIMUM WIDTH OF A DRIVEWAY OR ALLEY ENTRANCE AT THE RIGHT-OF-WAY LINE SHALL BE THIRTY (30) FEET UNLESS OTHERWISE NOTED.