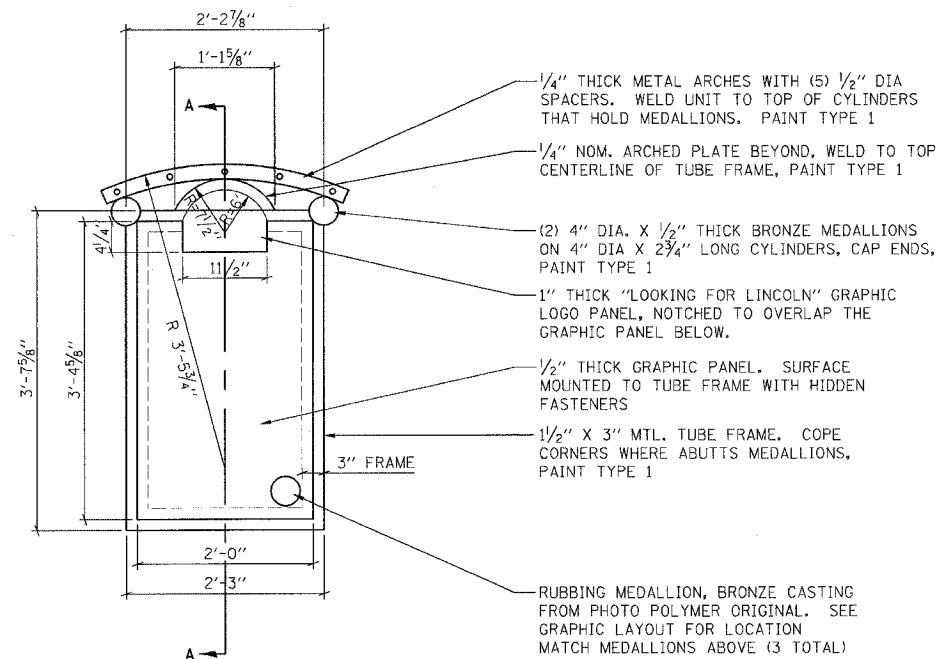
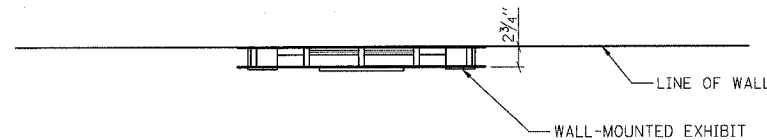


F.A.U. RTE.	SECTION	COUNTY	TOTAL SHEETS	SHEET NO.
8419	99-00048-01-PV	FAYETTE	142	89
STA.	TO STA.			
FED. ROAD DIST. NO.	ILLINOIS	FED. AID PROJECT		
CONTRACT NO. 95500				



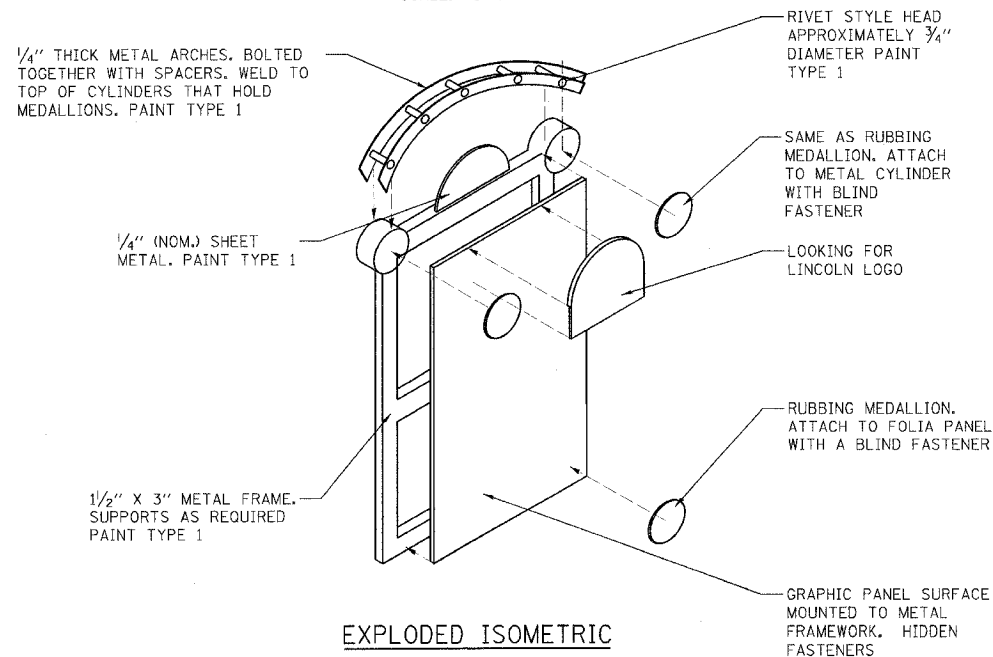
**FRONT ELEVATION**

SCALE: 1"=1'-0"



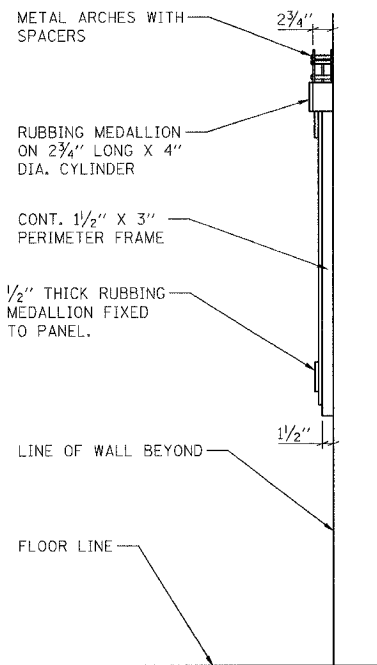
**PLAN**

SCALE: 1"=1'-0"



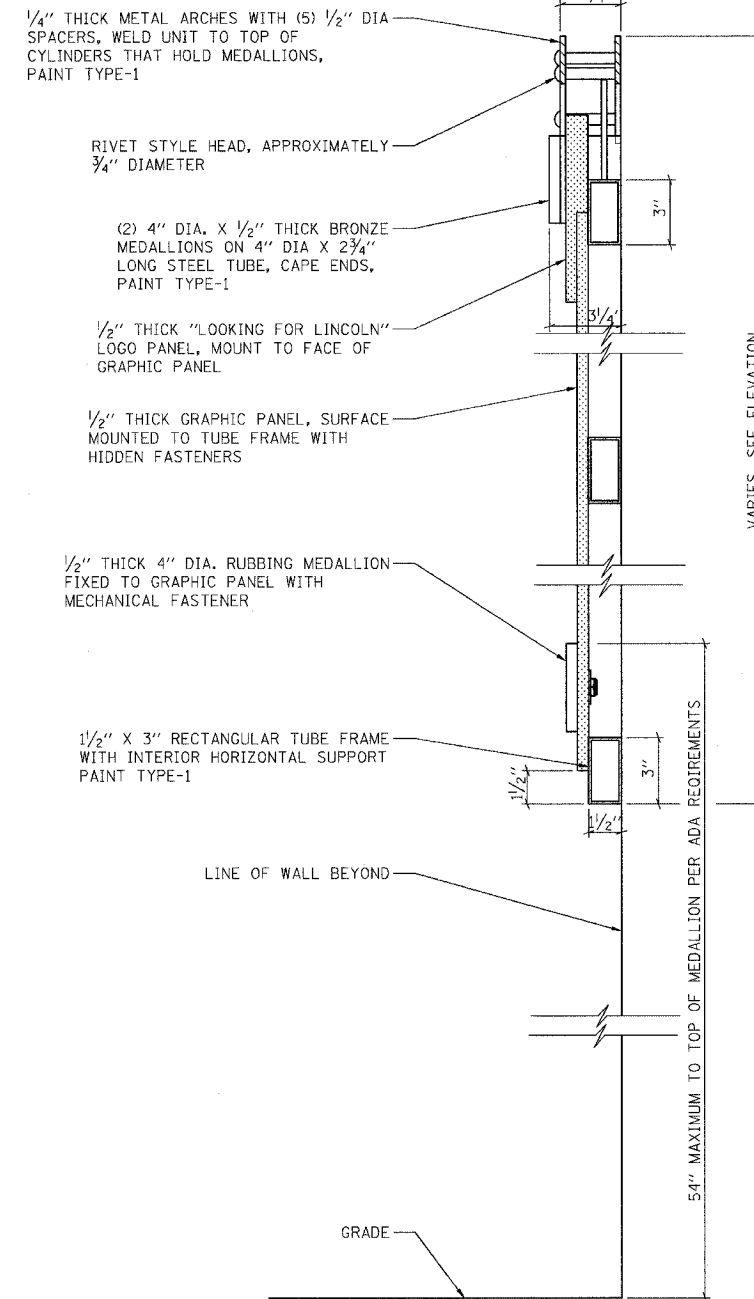
**EXPLODED ISOMETRIC**

SCALE: NONE



**SIDE ELEVATION**

SCALE: 1"=1'-0"



**SECTION A-A**

SCALE: 1"=1'-0"

REVISIONS	
NAME	DATE

ILLINOIS DEPARTMENT OF TRANSPORTATION

SERIES A  
OUTDOOR INTERPRETIVES  
SIGN TYPE A4

SCALE: VERT.  
HORIZ.  
DATE

DRAWN BY KOJ  
CHECKED BY BWC

CADD FILE: /4812/DI\_LB\_A4.dgn  
PLOTTER: 01/23/2007

H.M. & G. NO. 4812