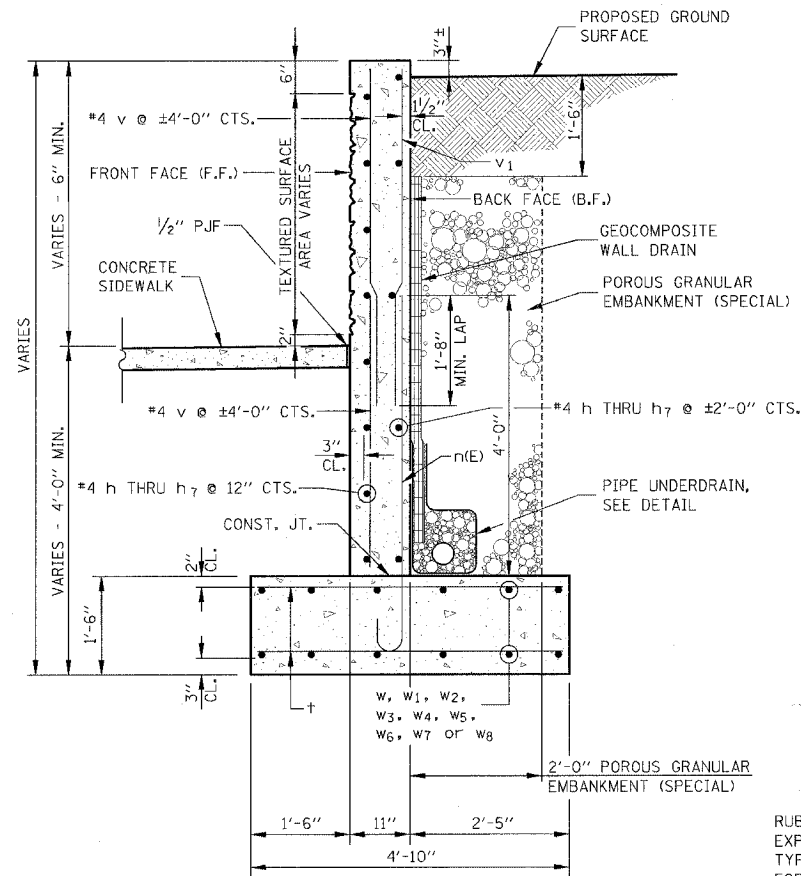
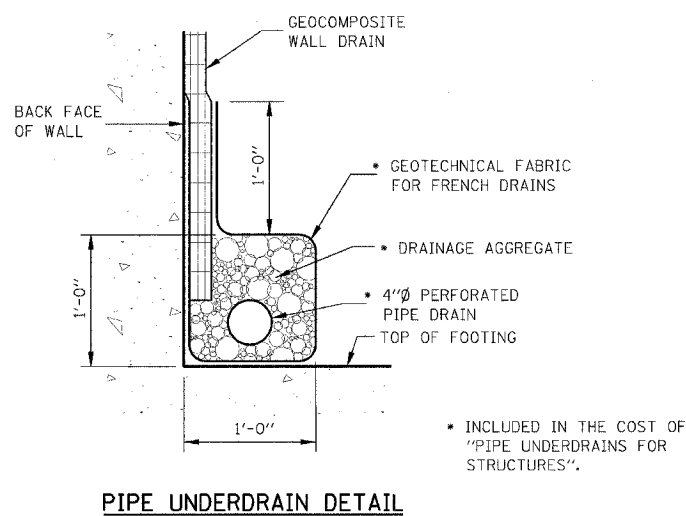


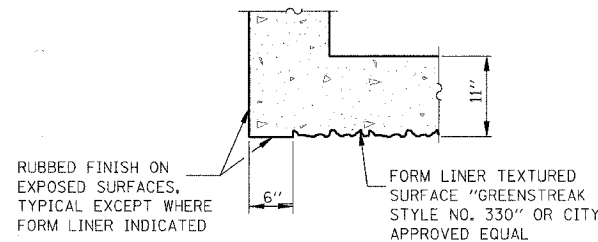
F.A.U. RTE.	SECTION	COUNTY	TOTAL SHEETS	SHEET NO.
8419	99-00048-01-PV	FAYETTE	142	101
STA.	TO STA.			
FED. ROAD DIST. NO.	ILLINOIS FED. AID PROJECT			
CONTRACT NO.	95500			
	4'-4"			



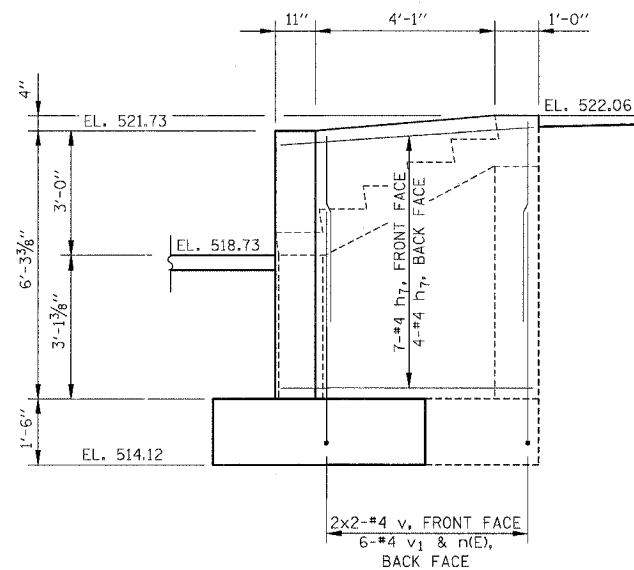
TYPICAL RETAINING WALL SECTION



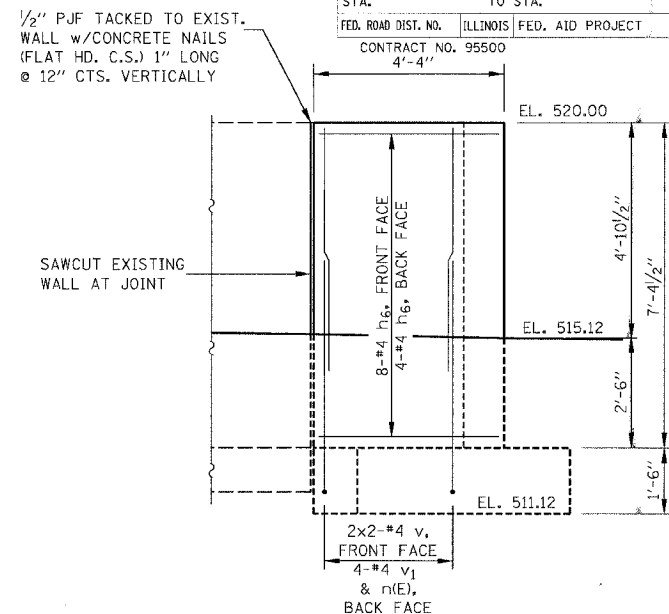
PIPE UNDERDRAIN DETAIL



SECTION B-B



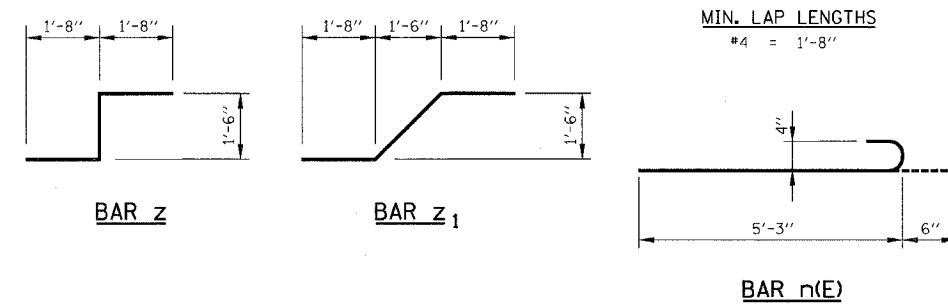
VIEW D-D



VIEW E-E

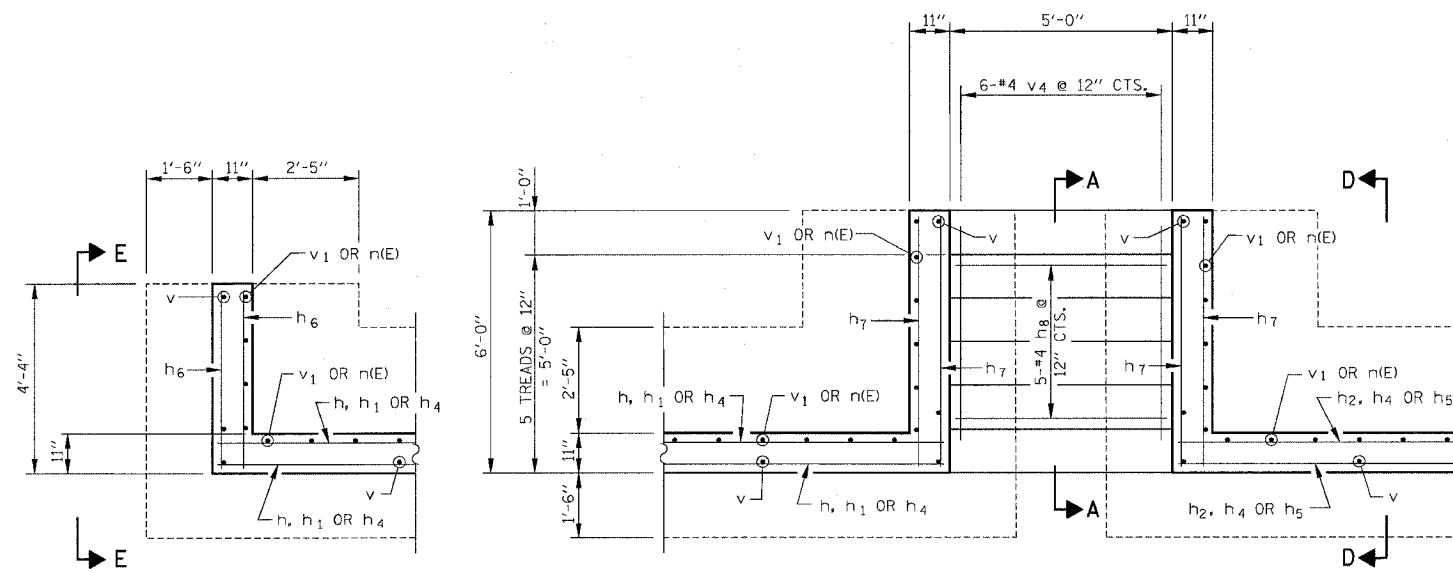
BILL OF MATERIAL

BAR NO.	SIZE	LENGTH	SHAPE
h	10	#4	33'-2"
h1	3	#4	10'-6"
h2	11	#4	36'-10"
h3	11	#4	12'-0"
h4	6	#4	24'-8"
h5	3	#4	8'-2"
h6	12	#4	4'-0"
h7	22	#4	5'-8"
h8	30	#4	4'-8"
n(E)	101	#4	5'-9"
t	160	#4	4'-6"
v	58	#4	4'-8"
v1	101	#4	5'-5"
v2	12	#4	6'-1"
v3	12	#4	3'-4"
v4	6	#4	5'-6"
w	12	#4	13'-6"
w1	12	#4	15'-4"
w2	12	#4	9'-8"
w3	12	#4	11'-2"
w4	12	#4	17'-8"
w5	12	#4	12'-2"
w6	12	#4	11'-8"
w7	12	#4	5'-6"
w8	24	#4	7'-2"
z	24	#4	4'-10"
z1	24	#4	5'-6"
REINFORCEMENT BARS	POUND	3,110	
REINFORCEMENT BARS, EPOXY COATED	POUND	390	
CONCRETE STRUCTURES	CU YD	49.8	



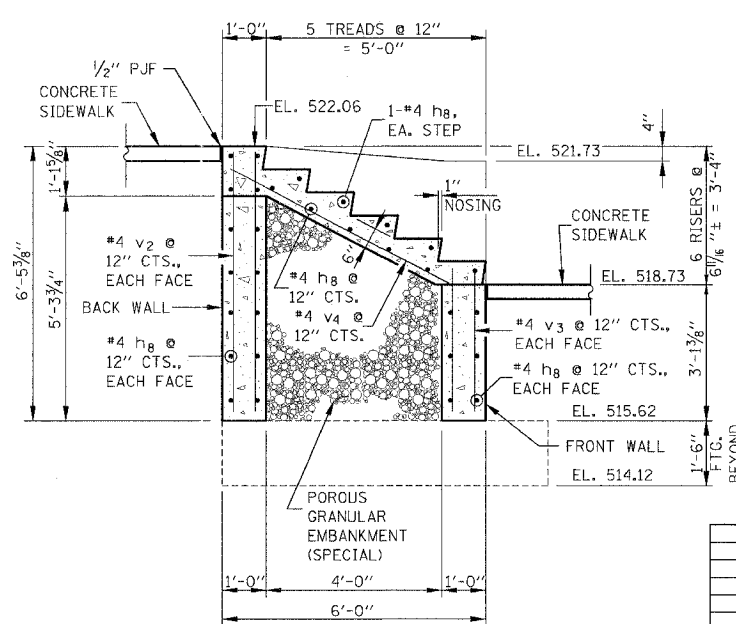
MIN. LAP LENGTHS

#4 = 1'-8"



STAIR PLAN

SCALE IN FEET



SECTION A-A

REVISIONS	NAME	DATE

ILLINOIS DEPARTMENT OF TRANSPORTATION  
RETAINING WALL DETAILS

SCALE: VERT. HORIZ.  
DATE  
DRAWN BY KOJ KHL  
CHECKED BY BMBGH

CADD FILE: /4812/retwall.dwg, 4/6/00  
PLOTTER: 01/23/2007

H.M. & G. INC. 4812