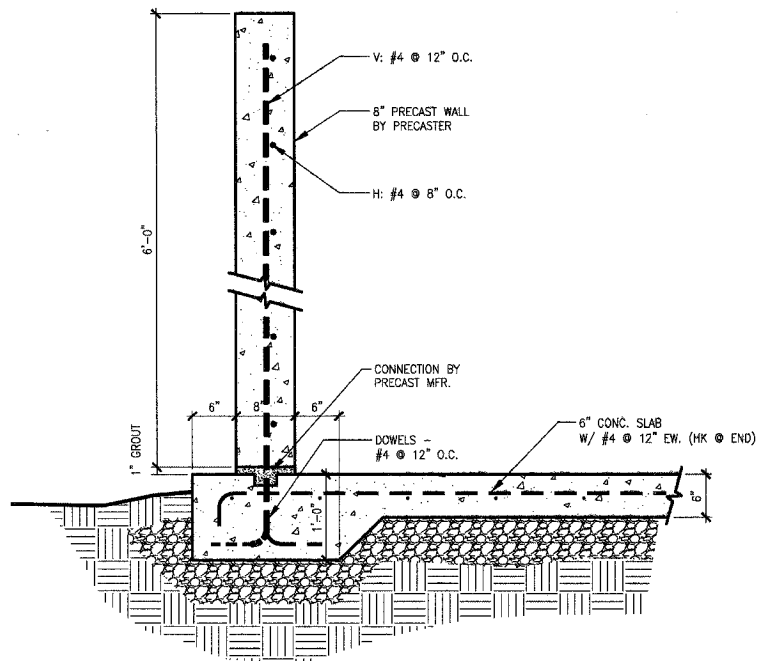
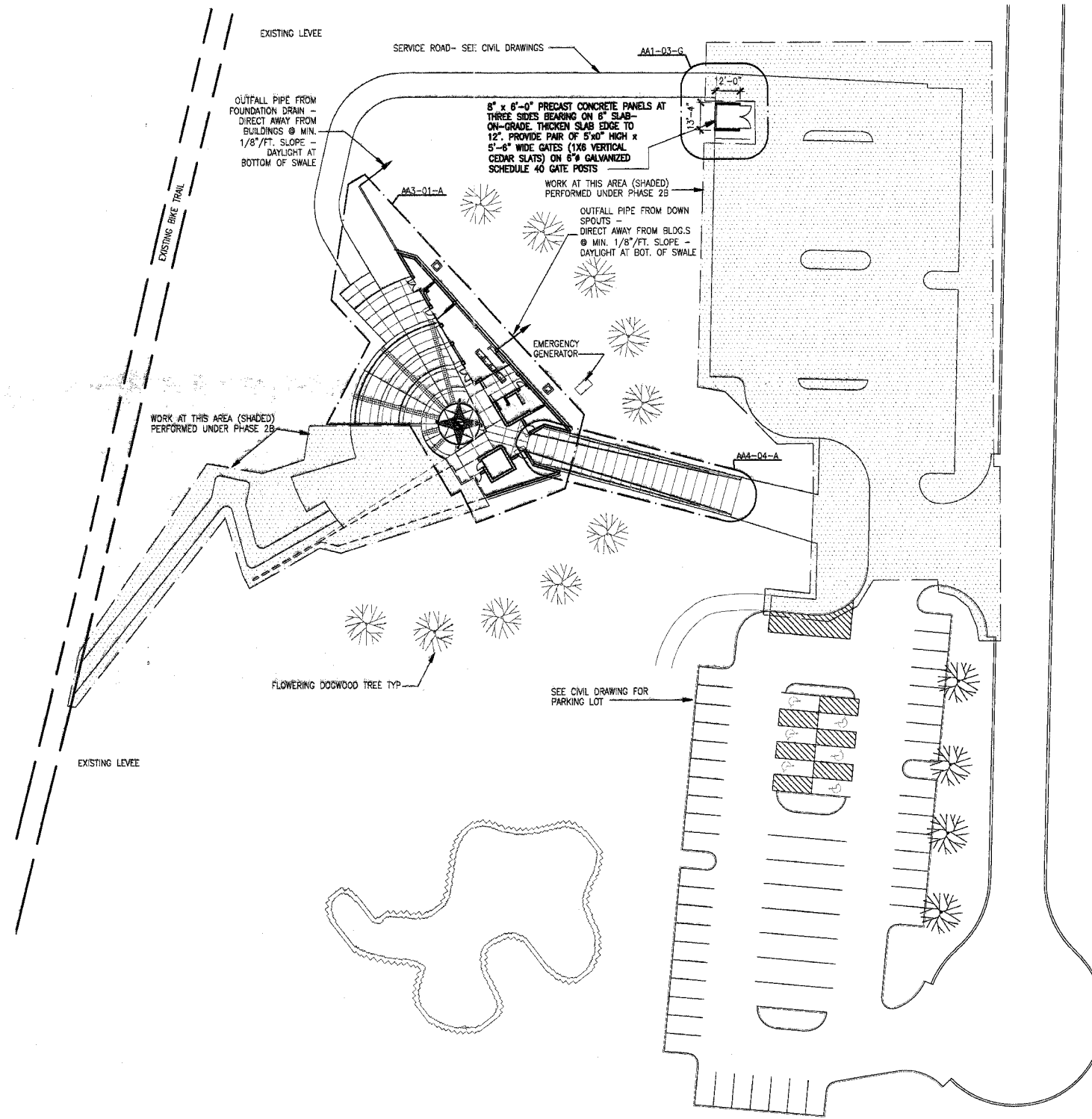


**G DUMPSTER ENCLOSURE**  
1/4"=1'-0"



**S DUMPSTER ENCLOSURE**  
1"=1'-0"



**A PHASE 2A SITE PLAN**  
1/32" = 1'-0"



211 N. Broadway  
Suite 1000  
St. Louis, MO 63102  
(314) 241-0100  
FAX (314) 241-0128

**KAI**

**PHASE 2A  
LEWIS AND CLARK MEMORIAL TOWER  
VILLAGE OF HARTFORD, ILLINOIS  
HARTFORD, ILLINOIS 62049**

SHEET TITLE:  
**PHASE 2A SIT PLAN**

REV. NO.	DATE	REMARKS

KENNEDY PROJECT NO  
KAI# 10-02048

ISSUE DATE  
12-JULY-05

SHEET NO

**AA1-03**