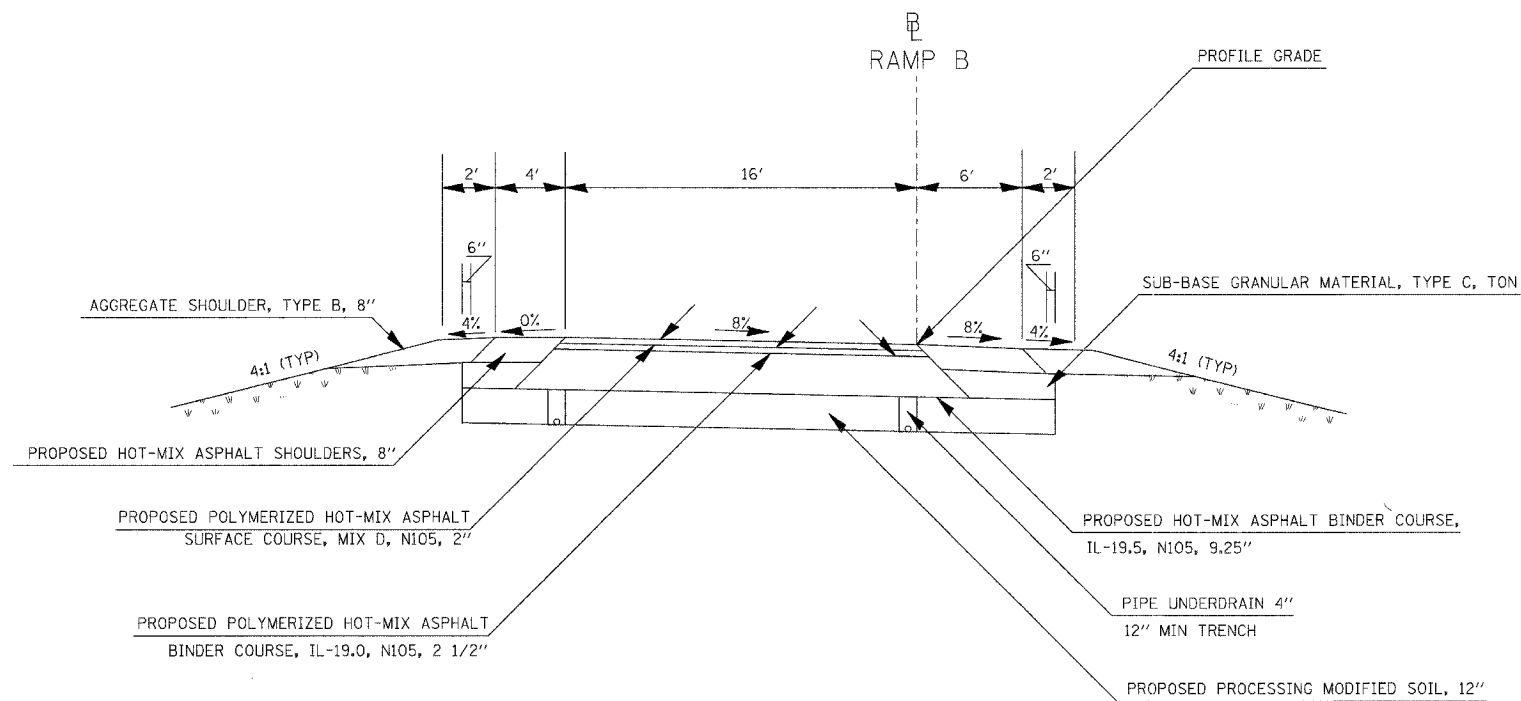
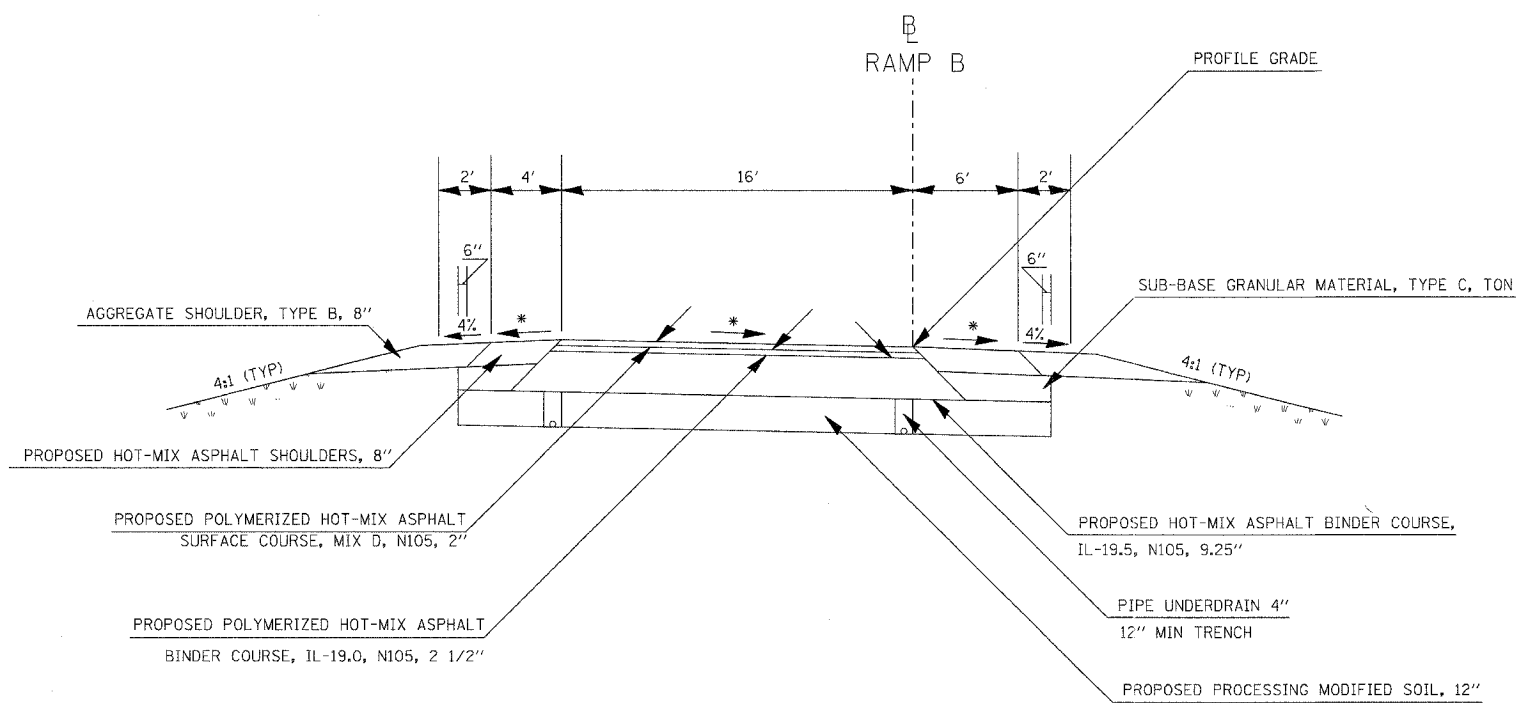


CONTRACT NO. 98963				
F.A. RTE.	SECTION	COUNTY	TOTAL SHEETS	SHEET NO.
57/64	(41-3)HBK	JEFFERSON	518	025
STA.		TO STA.		
FED. ROAD DIST. NO.		ILLINOIS FED. AID PROJECT		



TO BE USED
STA 408+69.9 TO STA 409+21.17



TO BE USED
STA 406+59.9 TO STA 408+69.9
STA 409+21.17 TO STA 411+81.17

ATTAIN SUPERELEVATION
SEE STANDARD 406101-02

REMOVE SUPERELEVATION
STA 409+21.17 TO STA 411+81.17

- * ON THE HIGH SIDE OF SUPERELEVATED SECTIONS, THE MAXIMUM SHOULDER ROLLOVER SHALL NOT EXCEED 8%
- * THE MINIMUM TRENCH WIDTH FOR PIPE UNDERDRAINS SHALL BE 12"
- * FOR GUARDRAIL LOCATIONS SEE GUARDRAILS SCHEDULE
- * SEE RAMP B CROSS SECTIONS FOR CROSS SLOPES

PLOT DATE = 03/21/2002 07:27 AM
FILE NAME = E:\08_000\08_000\08_000\DOT_RAMP_B\typical.mxd
PLOT SCALE = 5/8" = 1' / IN.
USER NAME = kas