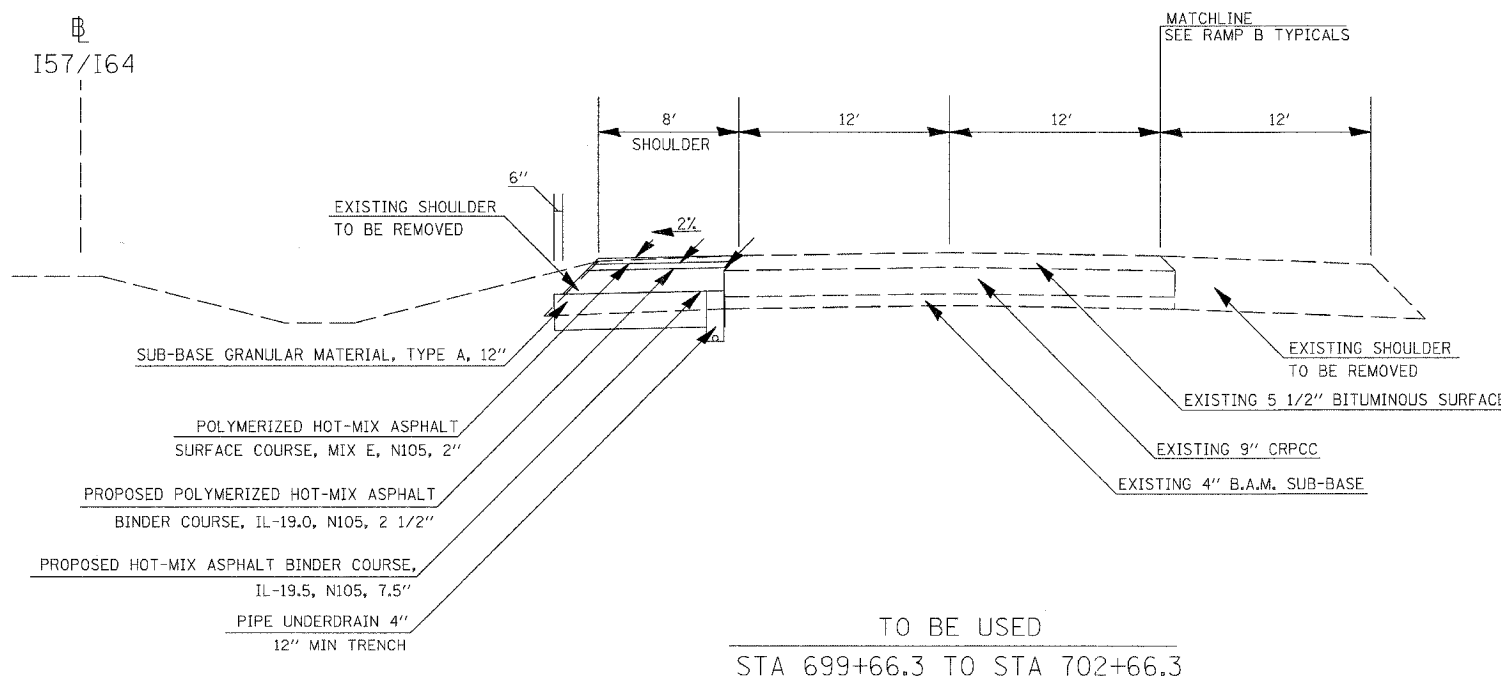
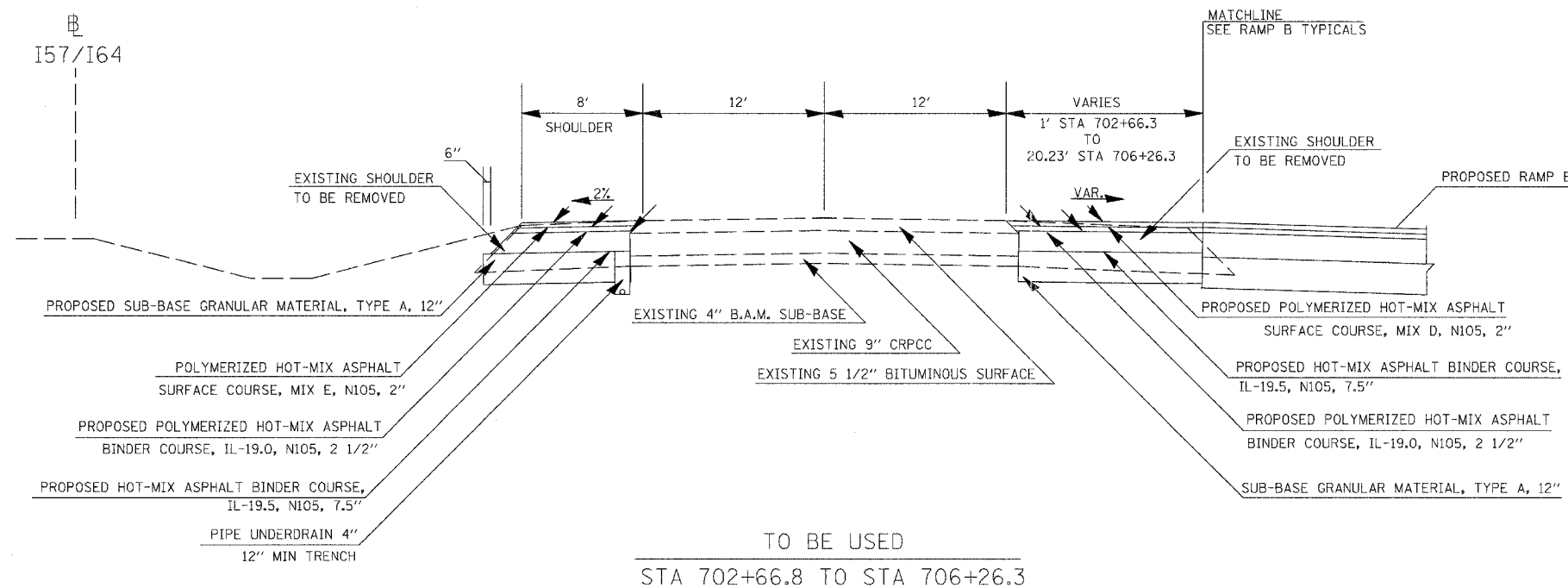


CONTRACT NO. 98963			
F.A. RTE.	SECTION	COUNTY	TOTAL SHEETS
57/64	(41-3)HBK	JEFFERSON	318
STA.	TO STA.		
FED. ROAD DIST. NO.	ILLINOIS	FED. AID PROJECT	



* SEE GUARDRAIL SCHEDULE AND DETAIL FOR GUARDRAIL SHOULDER WIDENING

PLOT DATE = 03/21/2007 07:27 AM
 FILE NAME = I:\98\sbw\98262015\DOT\RAVPS\typicals.dwg
 PLOT SCALE = 5/8" = 1' IN.
 USER NAME = Mel