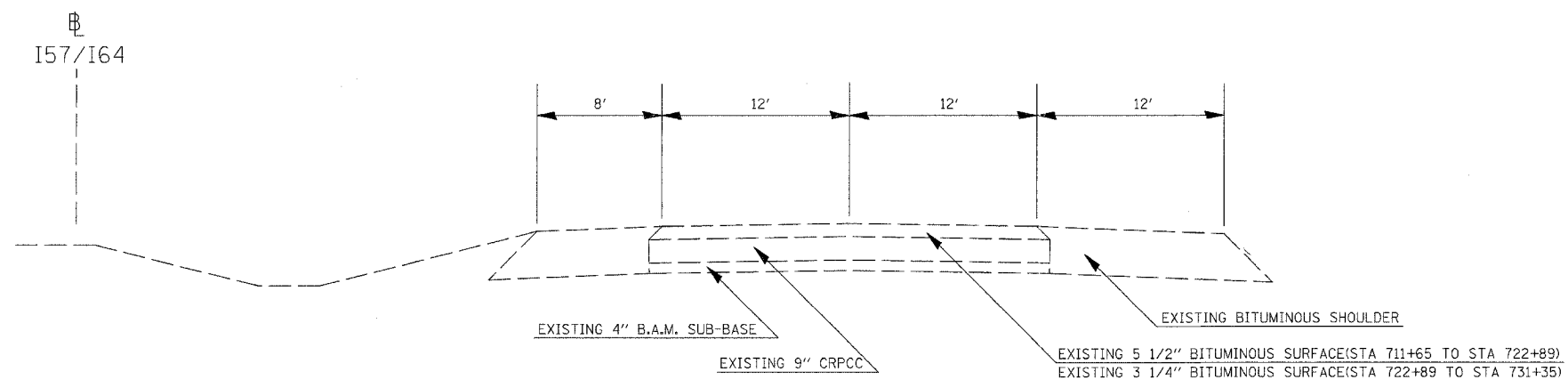
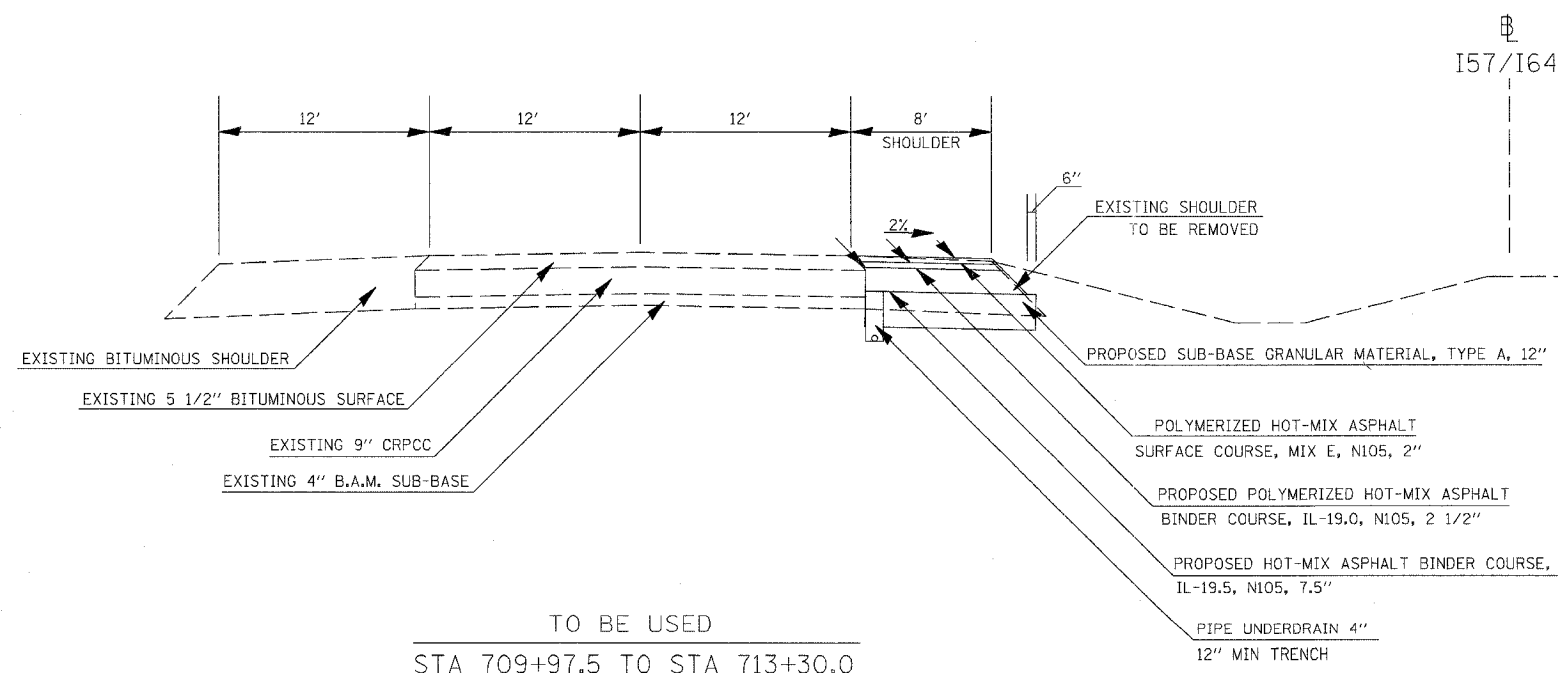


CONTRACT NO. 98963				
F.A. RTE.	SECTION	COUNTY	TOTAL SHEETS	SHEET NO.
57/64	(41-3)HBK	JEFFERSON	518	052
STA.		TO STA.		
FED. ROAD DIST. NO.		ILLINOIS FED. AID PROJECT		



TO BE USED
 STA 713+30.0 TO STA 729+35.0



TO BE USED
 STA 709+97.5 TO STA 713+30.0

* SEE GUARDRAIL SCHEDULE AND DETAIL FOR GUARDRAIL SHOULDER WIDENING

TYPICALS I57/I64 SOUTHBOUND

PLOT DATE = 03/21/2007 10:27 AM
 FILE NAME = I:\98963\98963\98963\DOT\RoadPS\typical.m32
 PLOT SCALE = 5.00000 / IN.
 USER NAME = Kot