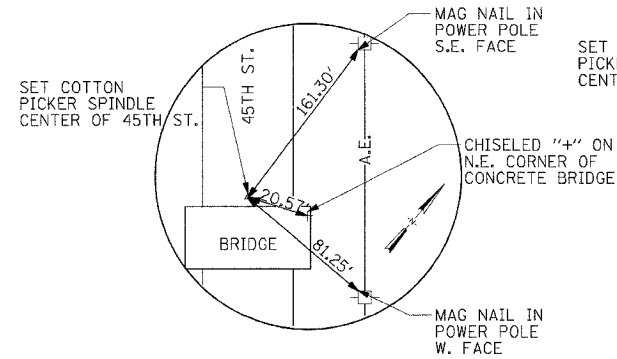
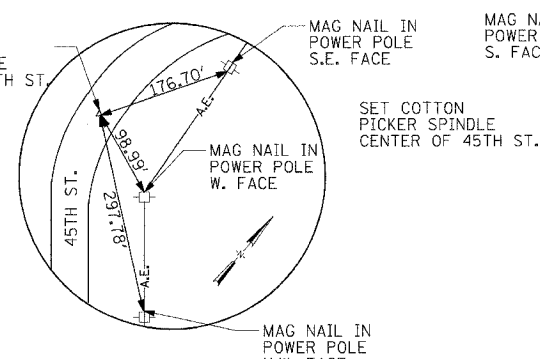


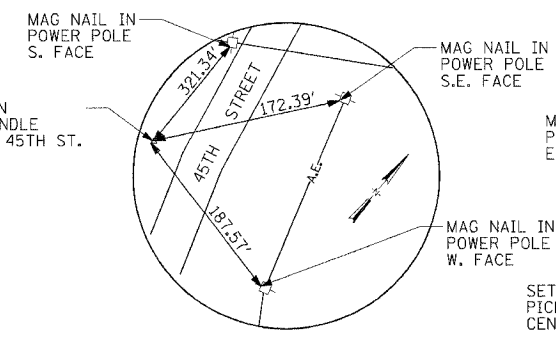
F.A.I. RTE.	SECTION	COUNTY	TOTAL SHEETS	SHEET NO.
57/64	(41-3)HBK	JEFFERSON	518	047
STA.	TO STA.			
FED. ROAD DIST. NO.	ILLINOIS	FED. AID PROJECT		
CONTRACT NO. 98963				



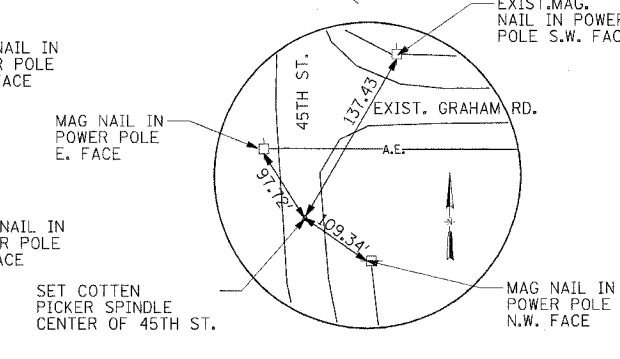
45TH STREET
P.O.T. STA. 99+35.00
COTTON PICKER SPINDLE



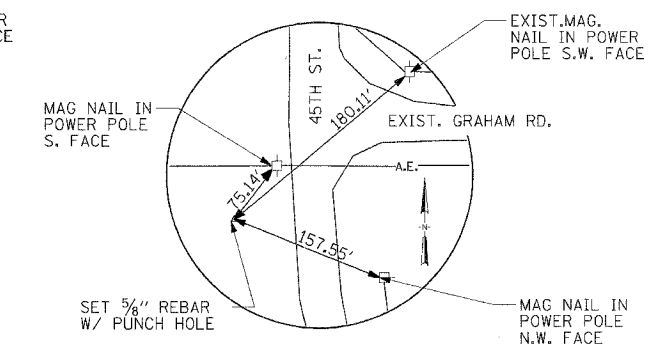
45TH STREET
P.C. STA. 103+80.45
COTTON PICKER SPINDLE



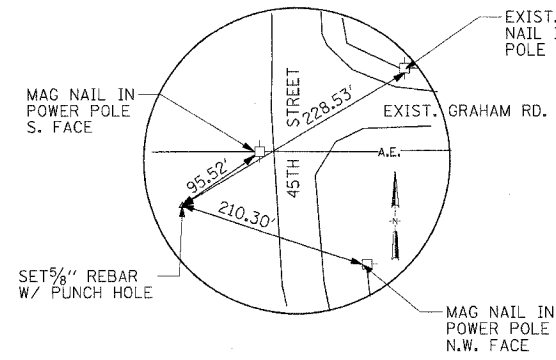
45TH STREET
P.I. STA. 107+09.00
COTTON PICKER SPINDLE



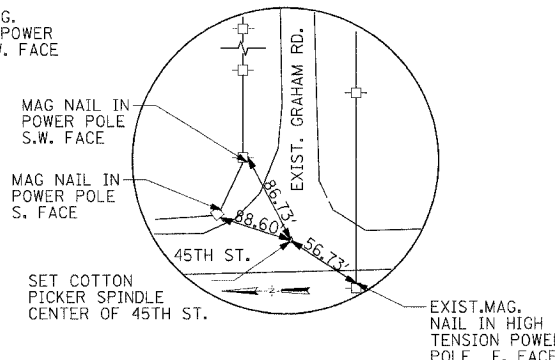
**INTERSECTION 45TH ST./
VETERANS MEMORIAL DRIVE**
STA. 109+11.87 (45TH STREET) TO
STA. 35+21.79' (VETERANS MEMORIAL DR.)



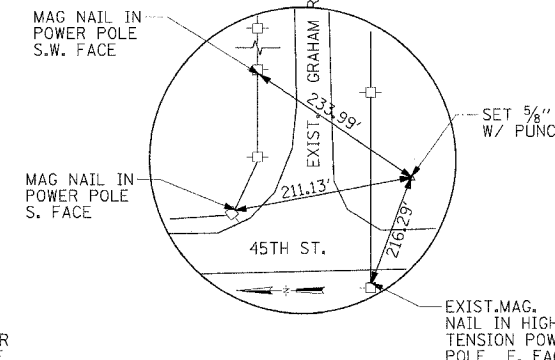
VETERANS MEMORIAL DRIVE
P.C. STA. 34+58.85
5/8" REBAR



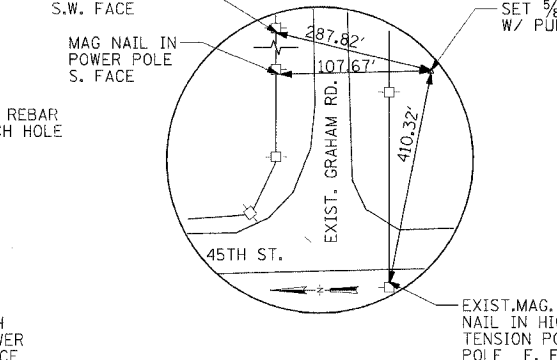
VETERANS MEMORIAL DRIVE
P.O.T. STA. 34+00.00
5/8" REBAR



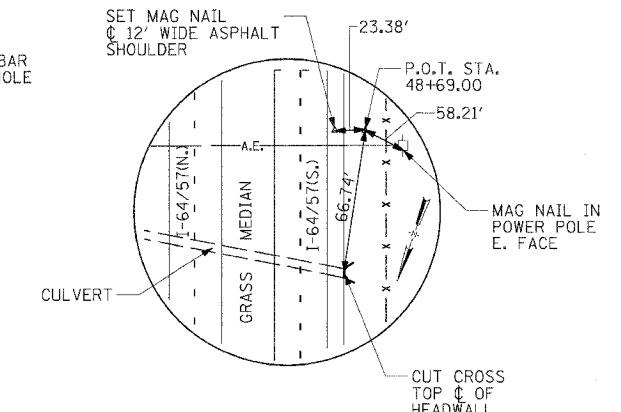
45TH STREET
P.T. STA. 110+00.23
COTTON PICKER SPINDLE



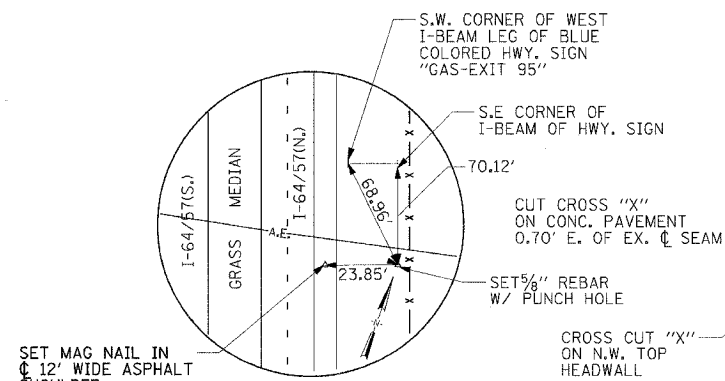
VETERANS MEMORIAL DRIVE
P.I. STA. 36+62.02
5/8" REBAR



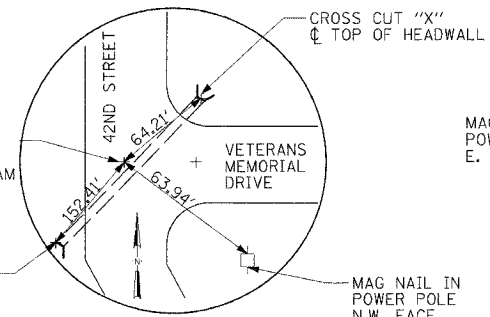
VETERANS MEMORIAL DRIVE
P.T. STA. 38+65.07
5/8" REBAR



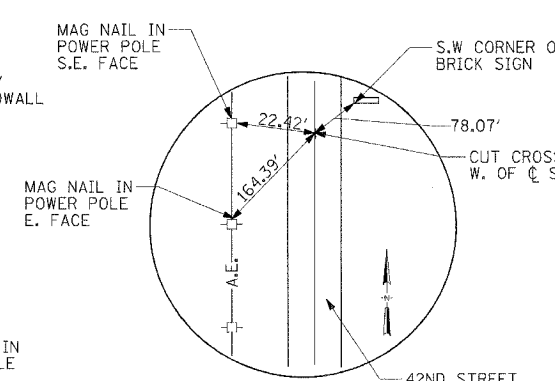
VETERANS MEMORIAL DRIVE
P.O.T. STA. 48+69.00
5/8" REBAR



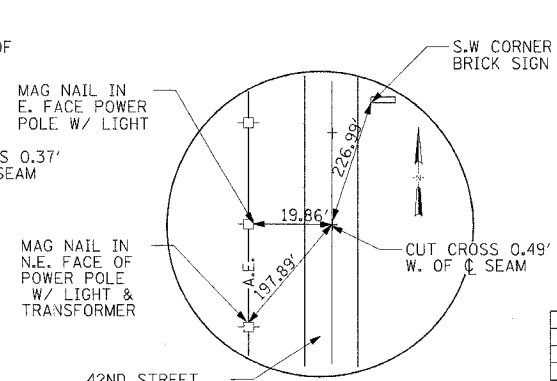
VETERANS MEMORIAL DRIVE
P.O.T. STA. 50+79.00
5/8" REBAR



VETERANS MEMORIAL DRIVE
P.I. STA. 61+65.12
CUT "X" ON PAVEMENT



42ND STREET
P.T. STA. 206+57.15
CUT "X" ON PAVEMENT



42ND STREET
P.I. STA. 205+00.45
CUT "X" ON PAVEMENT

REVISIONS	
NAME	DATE

ILLINOIS DEPARTMENT OF TRANSPORTATION
CROSS TIES

**VETERANS MEMORIAL DRIVE
INTERCHANGE
SECTION (41-3)HBK**

SCALE: NO SCALE
DATE 3-22-07

DRAWN BY RLT
CHECKED BY MTM

© Copyright Hanson Professional Services Inc. 2007
HANSON
 Hanson Professional Services Inc.

03/21/2007 09:00 AM
 I:\987\085\985\207\90\Food\Sheet\c-601\figs.dgn

DATE	BY	REVISION
02/26/04	RLT	
04/27/04	JED	
03/22/07	MTM	