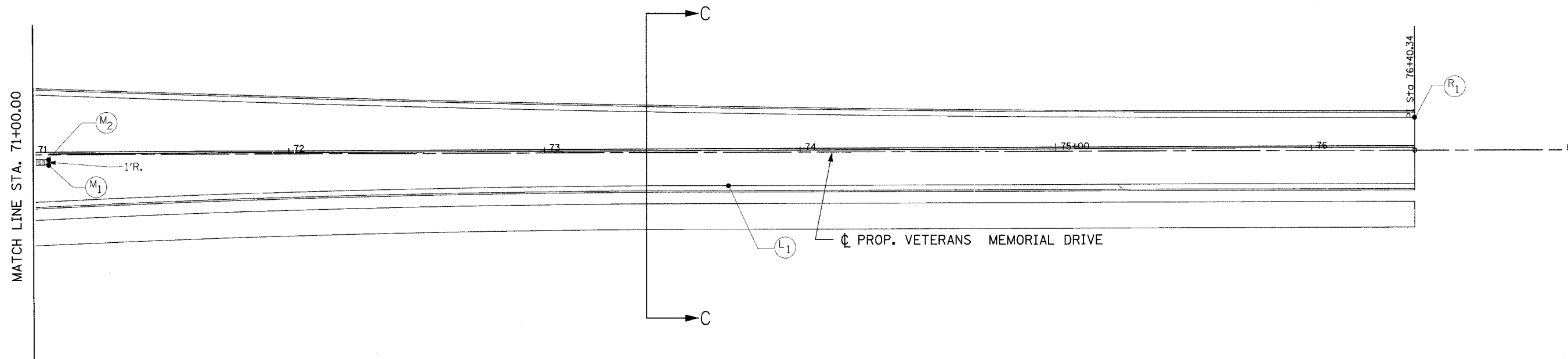
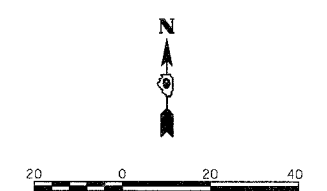
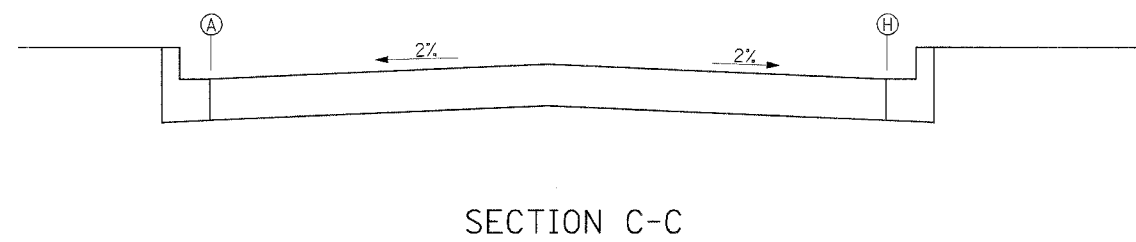


F.A.I. RTE.	SECTION	COUNTY	TOTAL SHEETS	SHEET NO.
57/64	(41-3)HBK	JEFFERSON	518	205
STA. 71+00.00		TO STA. 76+00.00		
FED. ROAD DIST. NO. _		ILLINOIS	FED. AID PROJECT	
CONTRACT NO. 98963				



STATION	OFFSETS LEFT OF C								OFFSETS RIGHT OF C							
	LT. OEOP (A)		LT. IEOP (B)		ISLAND (C)		MEDIAN (D)		MEDIAN (E)		ISLAND (F)		RT. IEOP/ISLAND (G)		RT. OEOP (H)	
	OFF	ELEV	OFF	ELEV	OFF	ELEV	OFF	ELEV	OFF	ELEV	OFF	ELEV	OFF	ELEV	OFF	ELEV
M ₁ M ₂ 71+06.18	23.22'	510.16	0.00'	510.62	-	-	-2.00	510.66	4.00'	510.62			4.00'	510.62	18.28'	510.33
71+15.34	22.86'	510.31	0.00'	510.77	-	-	-	-	-	-	-	-	3.80'	510.77	17.90'	510.49
71+40.34	21.93'	510.75	0.00'	511.19	-	-	-	-	-	-	-	-	3.24'	511.19	16.93'	510.92
71+65.34	21.03'	511.18	0.00'	511.60	-	-	-	-	-	-	-	-	2.64'	511.60	16.07'	511.33
71+90.34	20.19'	511.62	0.00'	512.02	-	-	-	-	-	-	-	-	2.01'	512.02	15.31'	511.75
72+15.34	19.39'	512.05	0.00'	512.44	-	-	-	-	-	-	-	-	1.34'	512.44	14.66'	512.17
72+40.34	18.64'	512.49	0.00'	512.86	-	-	-	-	-	-	-	-	0.63'	512.86	14.12'	512.59
72+65.34	17.94'	512.91	0.00'	513.27	-	-	-	-	-	-	-	-	0.00'	513.27	13.68'	513.00
72+90.34	17.28'	513.34	0.00'	513.69	-	-	-	-	-	-	-	-	0.00'	513.69	13.35'	513.42
73+15.34	16.67'	513.78	0.00'	514.11	-	-	-	-	-	-	-	-	0.00'	514.11	13.12'	513.85
73+40.34	16.11'	514.20	0.00'	514.52	-	-	-	-	-	-	-	-	0.00'	514.52	13.00'	514.26
73+65.34	15.59'	514.63	0.00'	514.94	-	-	-	-	-	-	-	-	0.00'	514.94	12.99'	514.68
L ₁ 73+71.97	15.46'	514.74	0.00'	515.05	-	-	-	-	-	-	-	-	0.00'	515.05	13.00	514.79
73+90.34	15.12'	515.06	0.00'	515.36	-	-	-	-	-	-	-	-	0.00'	515.36	13.00	515.10
74+15.34	14.70'	515.49	0.00'	515.78	-	-	-	-	-	-	-	-	0.00'	515.78	13.00'	515.52
74+40.34	14.33'	515.90	0.00'	516.19	-	-	-	-	-	-	-	-	0.00'	516.19	13.00'	515.93
74+65.34	14.00'	516.33	0.00'	516.61	-	-	-	-	-	-	-	-	0.00'	516.61	13.00'	516.35
74+90.34	13.71'	516.76	0.00'	517.03	-	-	-	-	-	-	-	-	0.00'	517.03	13.00'	516.77
75+15.34	13.48'	517.17	0.00'	517.44	-	-	-	-	-	-	-	-	0.00'	517.44	13.00'	517.18
75+40.34	13.29'	517.59	0.00'	517.86	-	-	-	-	-	-	-	-	0.00'	517.86	13.00'	517.60
75+65.34	13.15'	518.02	0.00'	518.28	-	-	-	-	-	-	-	-	0.00'	518.28	13.00'	518.02
75+90.34	13.00'	518.44	0.00'	518.70	-	-	-	-	-	-	-	-	0.00'	518.70	13.00'	518.44
76+15.34	13.00'	518.85	0.00'	519.11	-	-	-	-	-	-	-	-	0.00'	519.11	13.00'	518.85
R ₁ 76+40.34	13.00'	519.27	0.00'	519.11	-	-	-	-	-	-	-	-	0.00'	519.53	13.00'	519.27



REVISIONS		ILLINOIS DEPARTMENT OF TRANSPORTATION	
NAME	DATE		
		CHANNELIZATION DETAIL	
		STA. 71+00.00 TO STA. 76+00.00	
		VETERANS MEMORIAL DRIVE	
		INTERCHANGE	
		SECTION (41-3)HBK	
		SCALE: 1"=20'	DRAWN BY RL
		DATE 3-22-07	CHECKED BY MT

Copyright Hanson Professional Services Inc. 2007
HANSON
 Hanson Professional Services Inc.
 03/21/2007 09:41 AM
 I:\98\pds\9820\98\Road\Sheet\602cch.dgn
 LAYOUT: RL 02/26/04
 DESIGNED: JEO 04/12/04
 REVIEWED: MTM 03/22/07