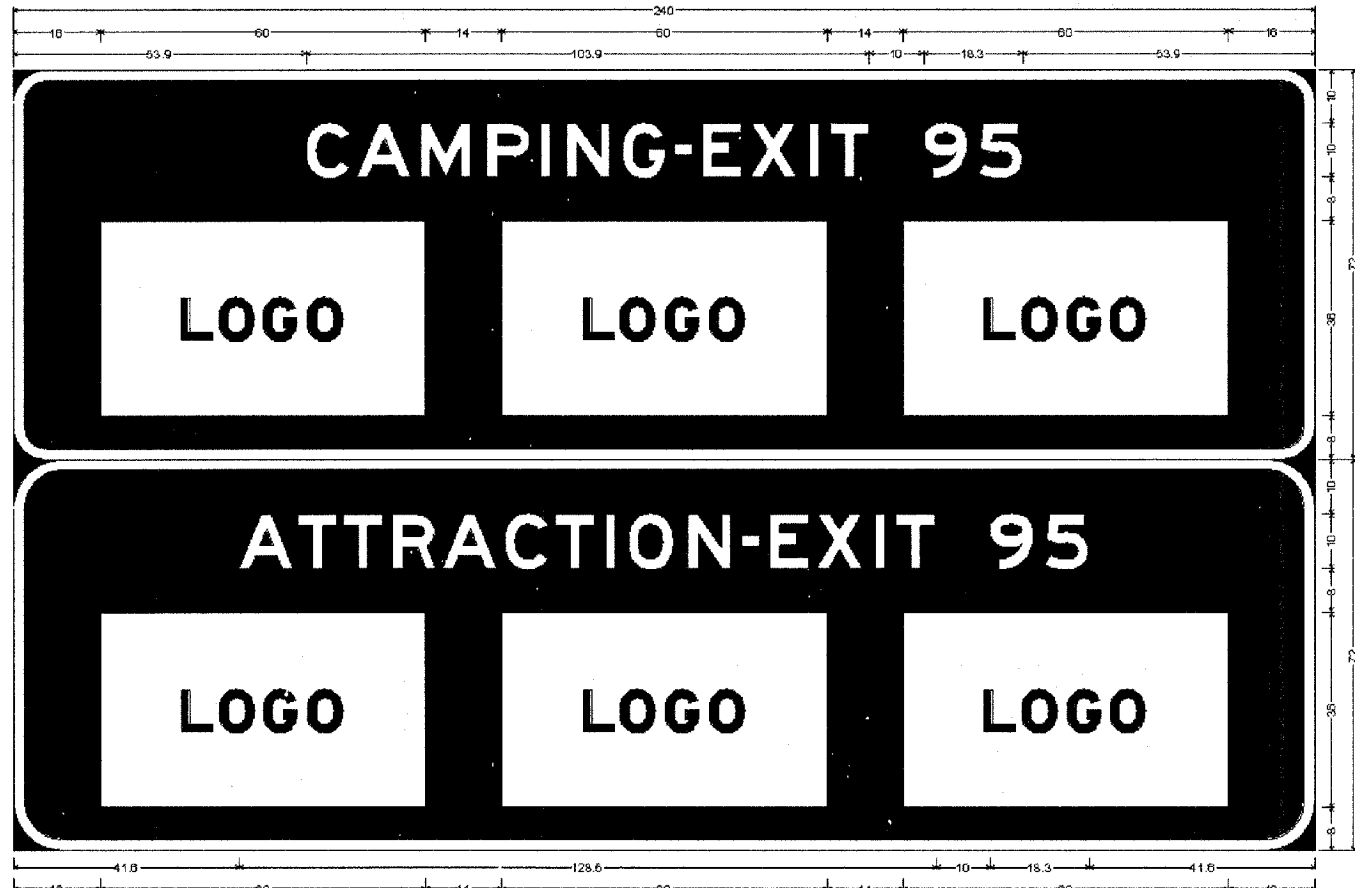


F.A.I. RTE.	SECTION	COUNTY	TOTAL SHEETS	SHEET NO.
57/64	(41-3)HBK	JEFFERSON	518	243
STA.		TO STA.		
FED. ROAD DIST. NO.		ILLINOIS	FED. AID PROJECT	

SIGN NO. 1
STA 634B+00 RT ☉ I57/I64



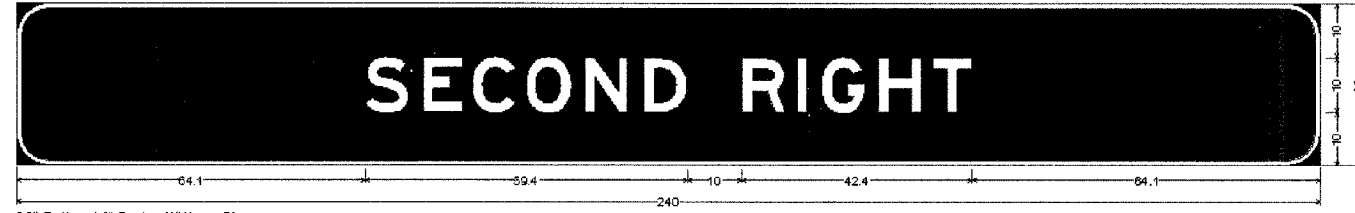
6.0" Radius, 2.0" Border, White on Blue;
CAMPING-EXIT 95 E Mod 2K;
9.0" Radius, 2.0" Border, White on Blue;
ATTRACTION-EXIT 95 E Mod 2K;

Table of letter and object lefts:

C	A	M	P	I	N	O	E	X	T	9	S		
53.9	83.3	76.1	87.3	97.1	101.9	112.4	121.8	127.0	136.8	148.8	160.4	167.8	178.0
19.0	90.0	104.0											

A	T	R	A	C	T	I	O	N	E	X	T	9	S			
41.8	52.5	60.8	69.9	79.1	90.6	99.9	109.1	113.5	124.3	134.1	139.3	148.1	158.9	162.8	160.1	190.3
19.0	90.0	104.0														

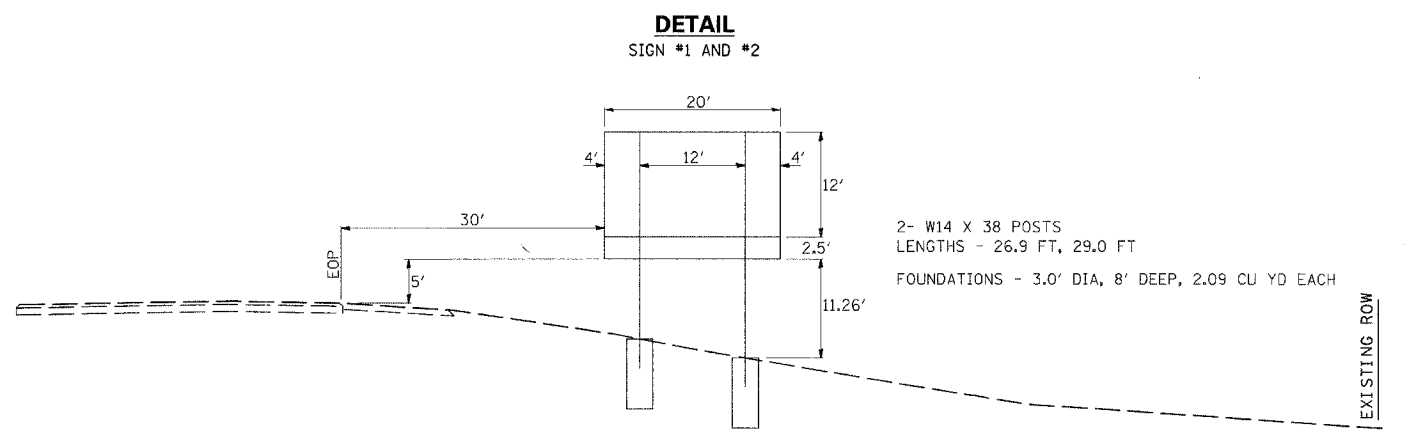
SIGN NO. 2
STA 634B+00 RT ☉ I57/I64
STA 642B+00 RT ☉ I57/I64
STA 658+00 RT ☉ I57/I64
STA 666+00 RT ☉ I57/I64
STA 682+00 RT ☉ I57/I64



6.0" Radius, 1.0" Border, White on Blue;
SECOND RIGHT E Mod 2K;

Table of letter and object lefts:

S	E	C	O	N	D	R	I	G	H	T
64.1	74.8	83.8	95.8	104.5	116.4	133.5	143.8	148.1	168.6	108.6



PLOT DATE = 93/22/2887.02233 PM
FILE NAME = I:\98\9805\982019A\DOT_RAMP_SIGNSET.dwg
SCALE = 1/8" = 1'-0"
USER NAME = RL