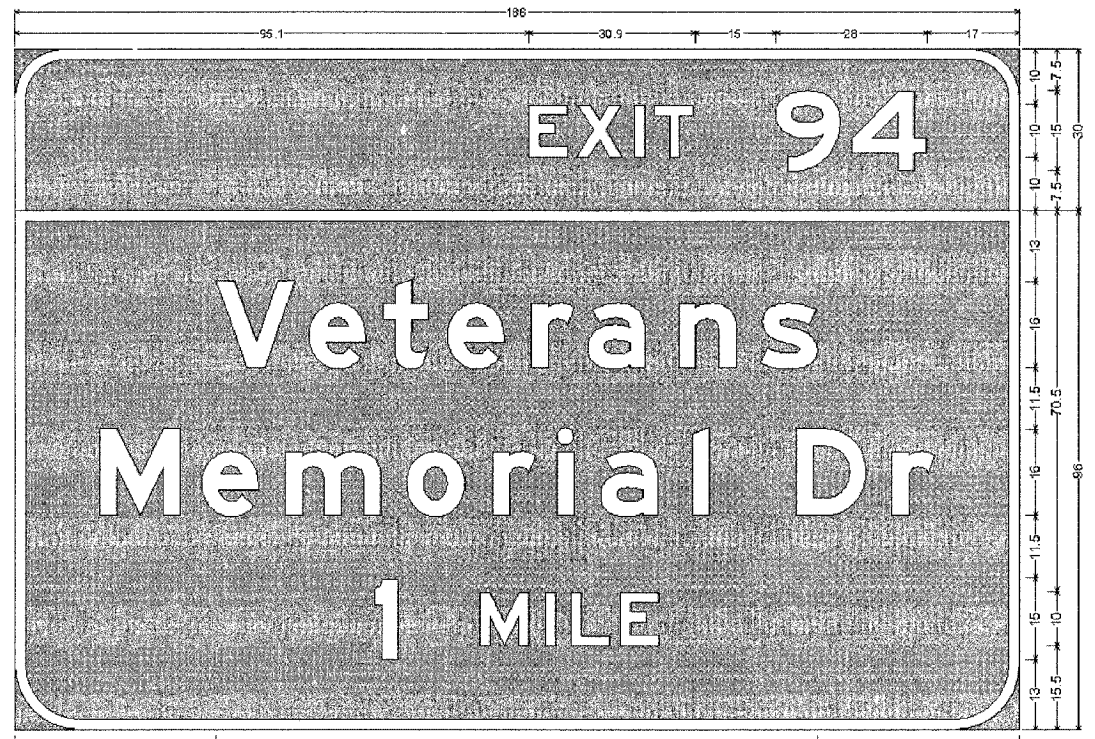


SIGN NO. 6
 STA 666+00 RT C 157/164
 &
 SIGN NO. 8
 STA 682+00 RT C 157/164

F.A.I. RTE.	SECTION	COUNTY	TOTAL SHEETS	SHEET NO.
57/64	(41-3)HBK	JEFFERSON	518	249
STA.	TO STA.			
FED. ROAD DIST. NO.	ILLINOIS	FED. AID PROJECT		

SIGN NO. 4
 STA 650+00 RT C 157/164

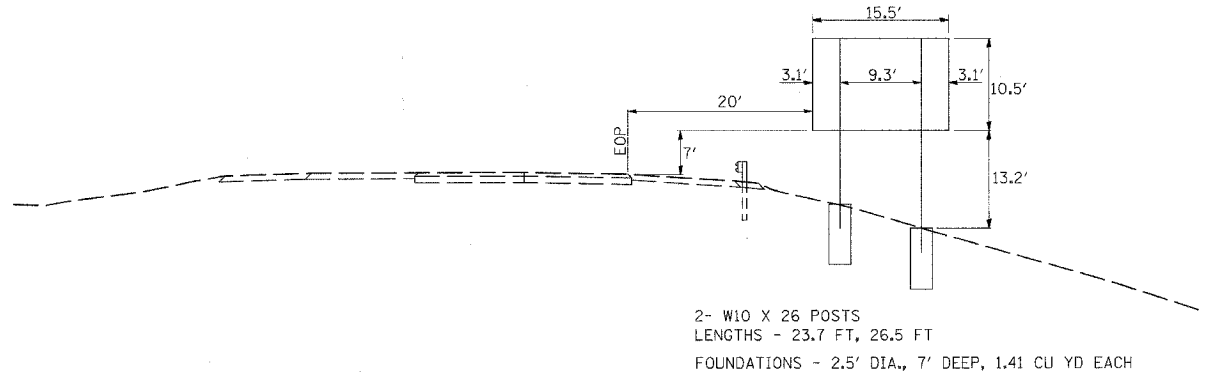


9.0" Radius, 2.0" Border, White on Green;
 "EXIT" E Mod 2K; "94" E Mod 2K;
 12.0" Radius, 2.0" Border, White on Green;
 "Veterans" E Mod 2K; "Memorial Dr" E Mod 2K; "1" E Mod 2K; "MILE" E Mod 2K;

Table of widths and spaces.

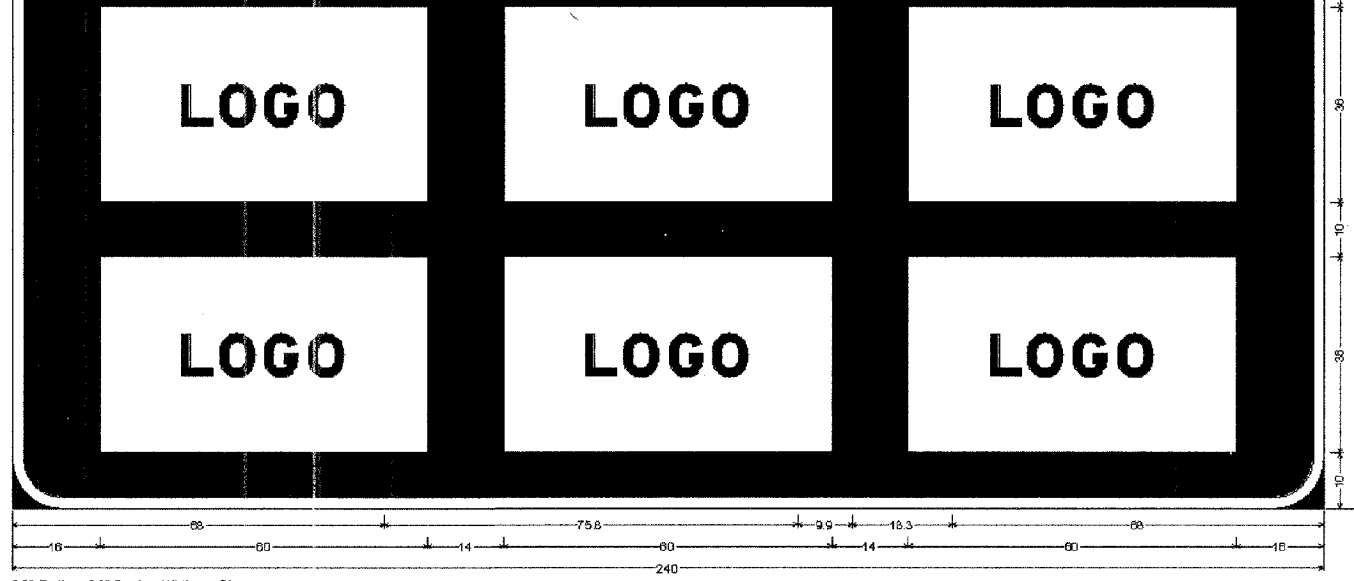
E	X	I	T	9	4	1	M	E	M	O	R	I	A	L	D	R	1	M	I	L	E
95.1	17.5	1.4	8.6	2.1	2.0	1.9	7.4	15.0	12.1	2.0	13.9	17.0									
V	3	7	3	3	3	3	6	10.6	5.0	8.0	2.4	10.5	6.4	18.5	4.8	10.5	37.3				
M	14.9	4.0	10.6	5.0	17.5	5.0	10.9	5.0	8.0	3.8	3.1	5.0	10.6	5.4	3.3	15.9	13.0	4.8	8.0	15.6	
I	M	I	L	E																	
56.6	14.5	15.0	3.3	2.0	2.0	2.6	7.4	11.6	7.4	66.6											

DETAIL
 SIGN #4



2- W10 X 26 POSTS
 LENGTHS - 23.7 FT, 26.5 FT
 FOUNDATIONS - 2.5' DIA., 7' DEEP, 1.41 CU YD EACH

FOOD-EXIT 95

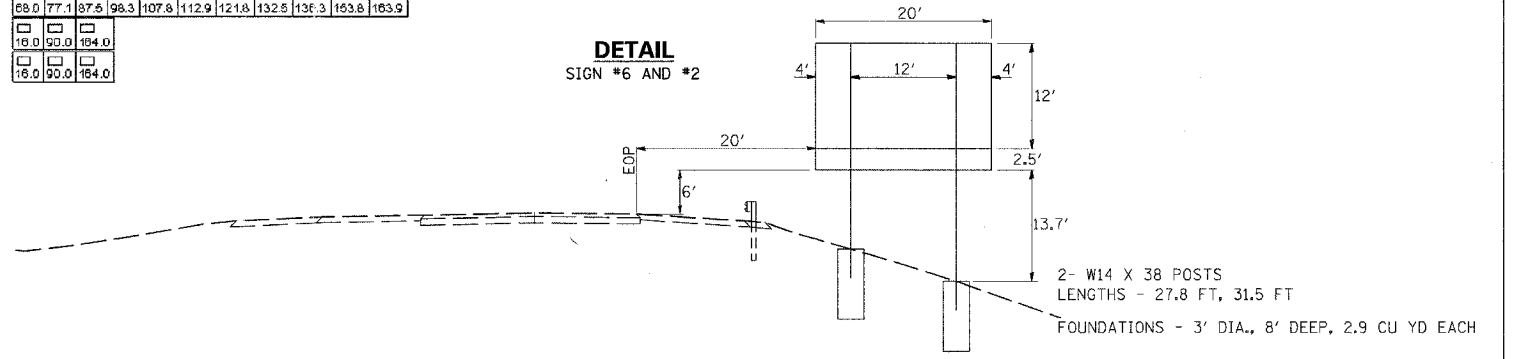


9.0" Radius, 2.0" Border, White on Blue;
 "FOOD-EXIT 95" E Mod 2K;

Table of letter and object lefts.

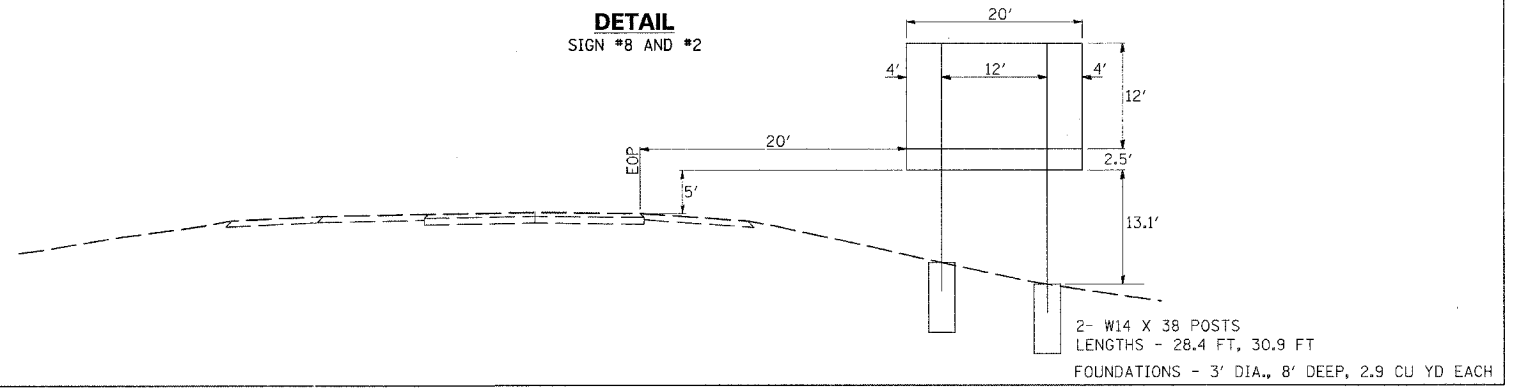
F	O	O	D	-	E	X	I	T	9	5
68.0	77.1	87.6	98.3	107.8	112.9	121.8	132.5	136.3	153.8	163.9
16.0	90.0	164.0								
16.0	90.0	164.0								

DETAIL
 SIGN #6 AND #2



2- W14 X 38 POSTS
 LENGTHS - 27.8 FT, 31.5 FT
 FOUNDATIONS - 3' DIA., 8' DEEP, 2.9 CU YD EACH

DETAIL
 SIGN #8 AND #2



2- W14 X 38 POSTS
 LENGTHS - 28.4 FT, 30.9 FT
 FOUNDATIONS - 3' DIA., 8' DEEP, 2.9 CU YD EACH

PLOT DATE = 03/22/2007, 02:33 PM
 FILE NAME = I:\98\jobs\982019\A1101\RAFP5\viewstand.m32
 USER NAME = RL
 USER NAME = RL