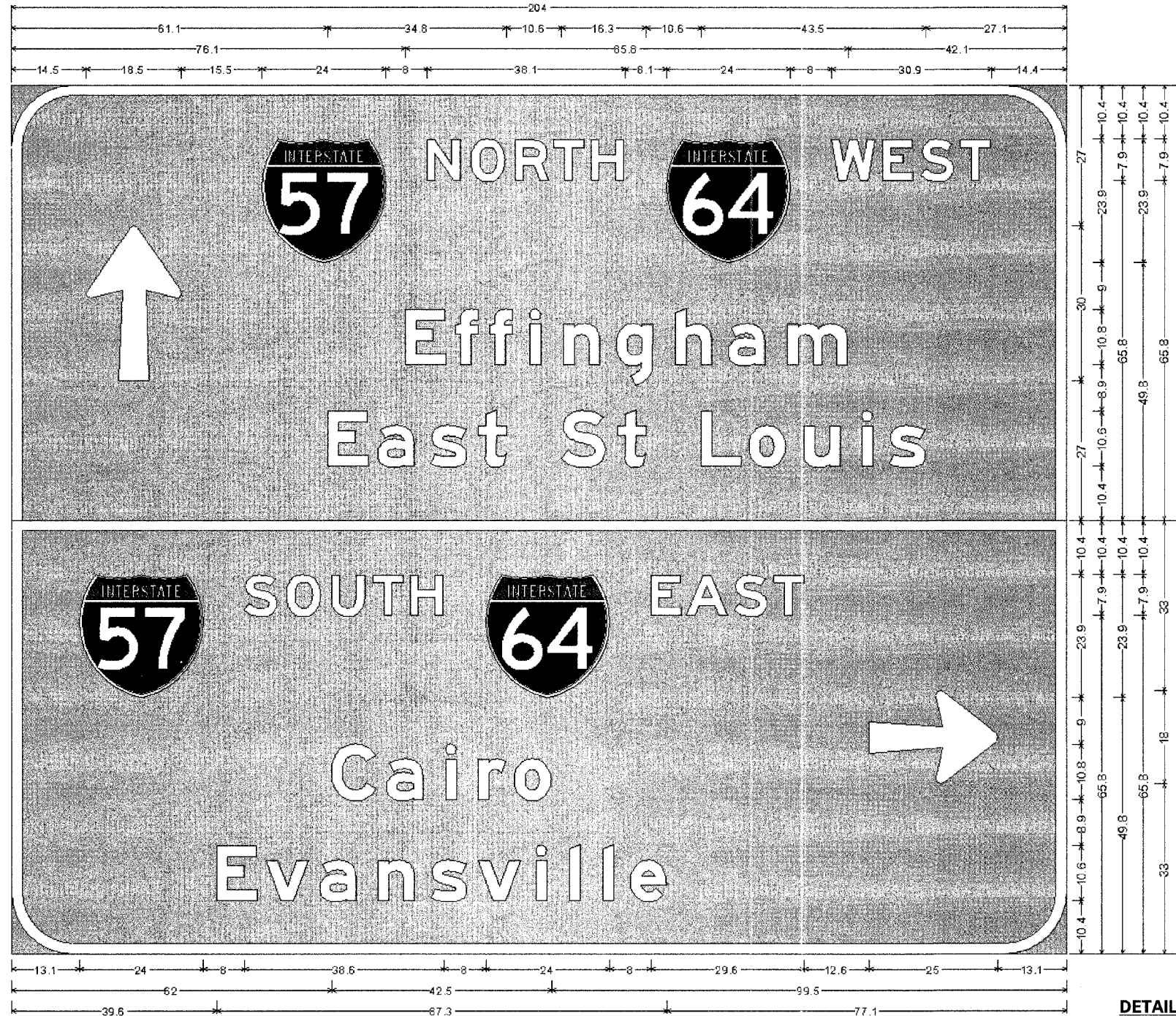


F.A.I. RTE.	SECTION	COUNTY	TOTAL SHEETS	SHEET NO.
57/64	141-31HBK	JEFFERSON	518	251
STA.	TO STA.			
FED. ROAD DIST. NO.	ILLINOIS	FED. AID PROJECT		

SIGN NO. 19  
STA 43+00 RT CL VETERANS MEMORIAL DR

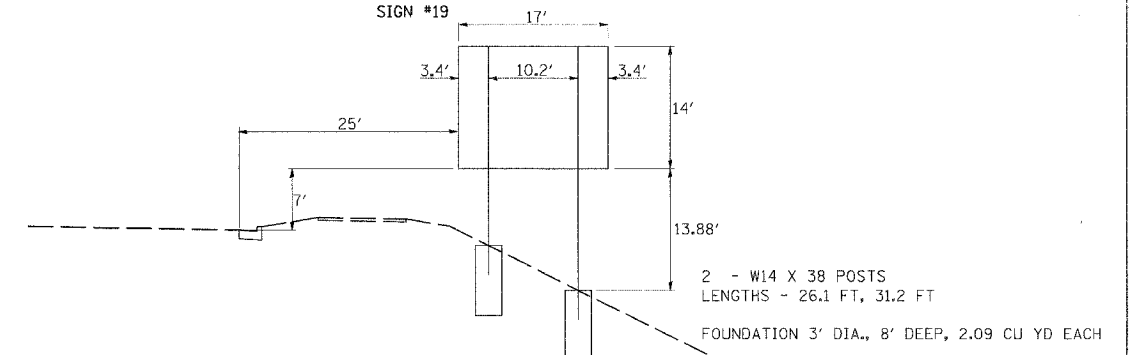


12.0" Radius, 2.0" Border, White on Green;  
 "NORTH" E Mod 2K; "WEST" E Mod 2K; "Effingham" E Mod 2K; "East St Louis" E Mod 2K;  
 12.0" Radius, 2.0" Border, White on Green;  
 "SOUTH" E Mod 2K; "EAST" E Mod 2K; "Cairo" E Mod 2K; "Evansville" E Mod 2K;

Table of letter and object lefts

Q	N	O	R	T	H	W	E	S	T
14.5	48.5	80.5	88.9	97.5	104.9	112.3	126.6	168.6	176.0
E	I	I	I	I	I	I	I	I	I
76.1	85.9	92.6	100.4	106.8	117.1	126.5	136.8	150.1	
E	A	S	T	S	T	L	O	U	S
61.1	71.0	81.1	90.3	106.5	117.3	133.5	142.8	153.3	164.6
S	O	U	T	H	E	A	S	T	
13.1	45.1	53.3	61.9	69.9	77.3	91.8	123.8	130.5	139.8
C	A	I	R	O					
62.0	72.6	84.0	90.4	97.3					
E	V	A	N	S	V	I	I	O	
39.6	49.3	59.6	70.9	81.1	90.3	101.5	108.0	114.4	119.8

DETAIL  
SIGN #19



PLOT DATE = 09/21/2007 10:15 AM  
 FILE NAME = I:\98963\98963\11001\RA\PS\4103506.dgn  
 USER NAME = KAC