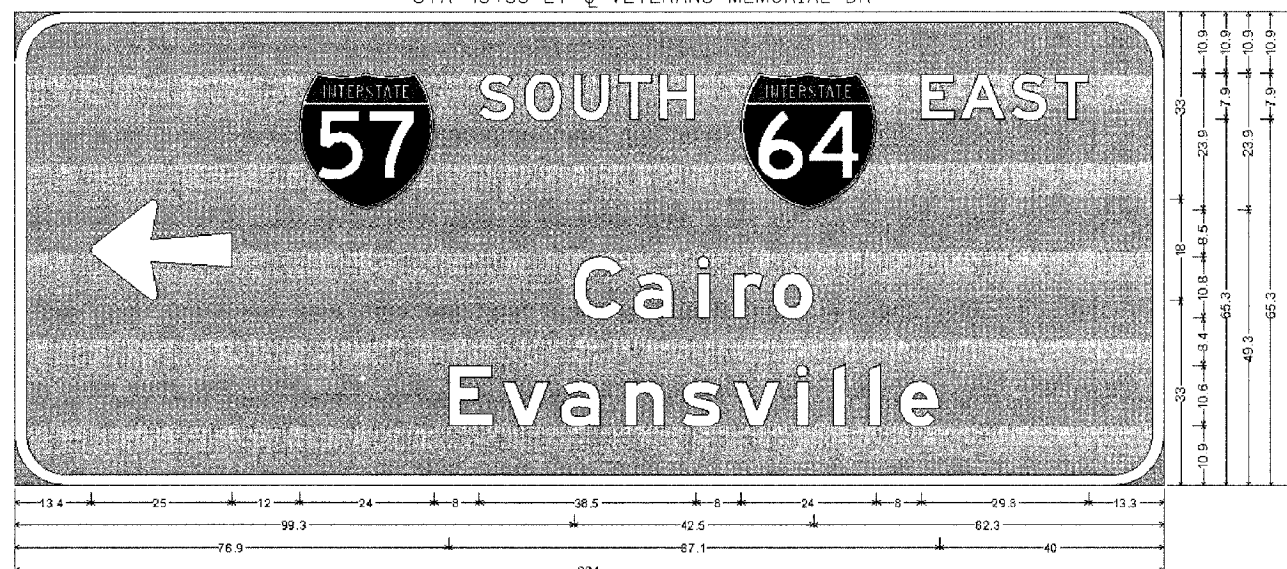


SIGN NO. 20  
STA 45+35 LT Q VETERANS MEMORIAL DR

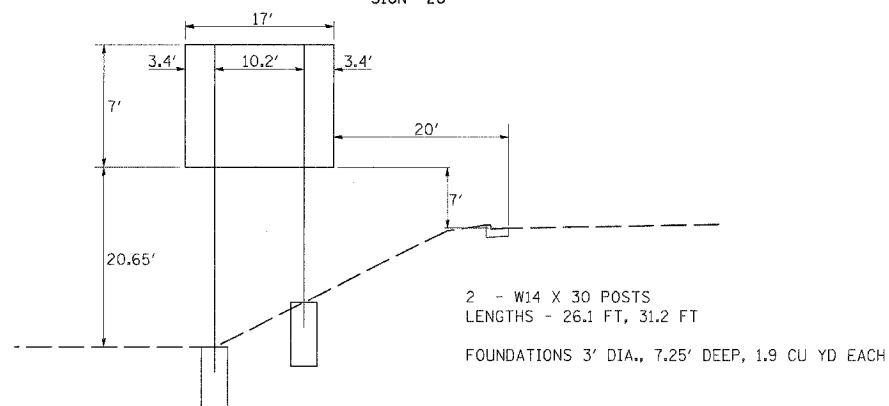


9.0" Radius, 2.0" Border, White on Green;  
"SOUTH" E Mod 2K; "EAST" E Mod 2K; "Cairo" E Mod 2K; "Evansville" E Mod 2K;

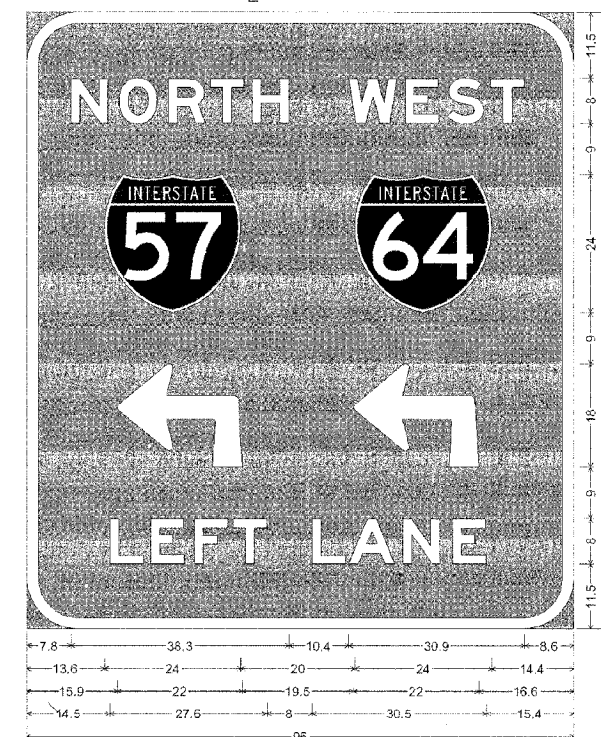
Table of letter and object letter heights

S	O	U	T	H	E	A	S	T			
13.4	50.4	82.4	90.5	99.1	107.1	114.5	129.0	161.0	167.8	177.0	184.8
C	a	r	o								
99.3	109.9	121.3	127.5	134.5							
E	v	a	n	s	v	i	l	e			
76.9	86.5	95.9	108.1	118.4	127.5	138.8	145.3	151.6	157.0		

DETAIL  
SIGN #20



SIGN NO. 21  
STA 47+70 RT Q VETERANS MEMORIAL DR



9.0" Radius, 2.0" Border, White on Green;  
"NORTH" E Mod 2K; "WEST" E Mod 2K; 90 Deg Advanced Turn Arrow 22.0" X 18.0";  
90 Deg Advanced Turn Arrow 22.0" X 18.0"; "LEFT LANE" E Mod 2K;

Table of widths and spaces

N	O	R	T	H	W	E	S	T										
7.8	6.5	1.9	6.8	1.9	6.4	0.9	5.9	1.5	6.4	10.5	8.5	1.5	5.9	1.4	6.5	1.1	6.0	8.6
13.6	24.0	20.0	24.0	14.4														
15.9	22.0	19.5	22.0	16.6														
L	E	F	T	L	A	N	E											
14.5	6.0	1.3	5.9	1.6	6.0	0.9	5.9	8.0	5.9	0.5	8.0	1.5	6.5	2.3	5.9	15.3		

DETAIL  
SIGN #21

