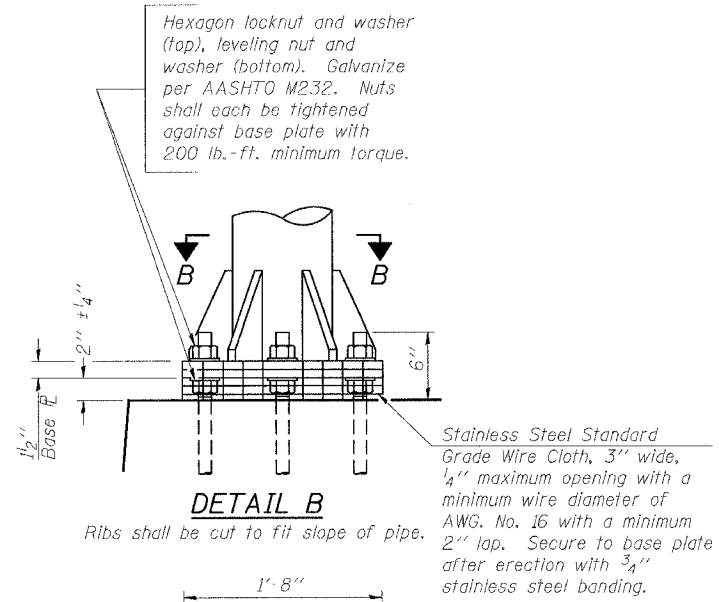
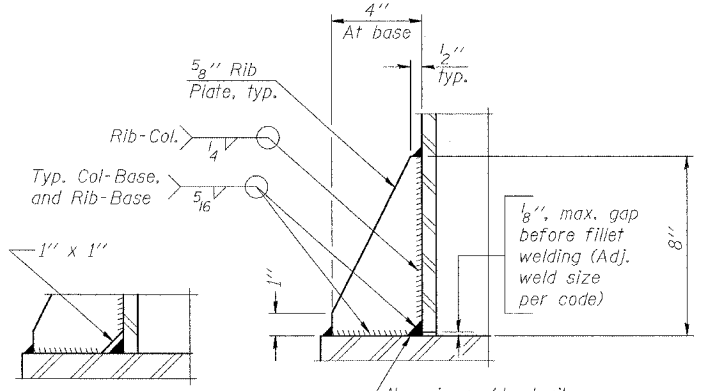


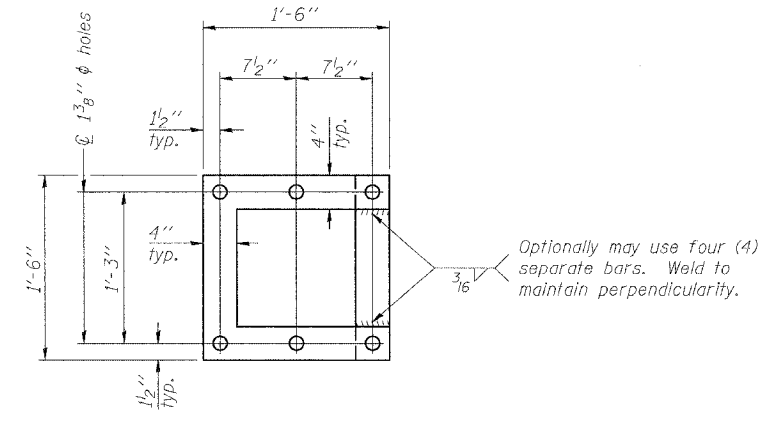
F.A.I. RTE.	SECTION	COUNTY	TOTAL SHEETS	SHEET NO.
57/64	(41-3)HBK	JEFFERSON		25
STA.		TO STA.		
FED. ROAD DIST. NO.		ILLINOIS	FED. AID PROJECT	



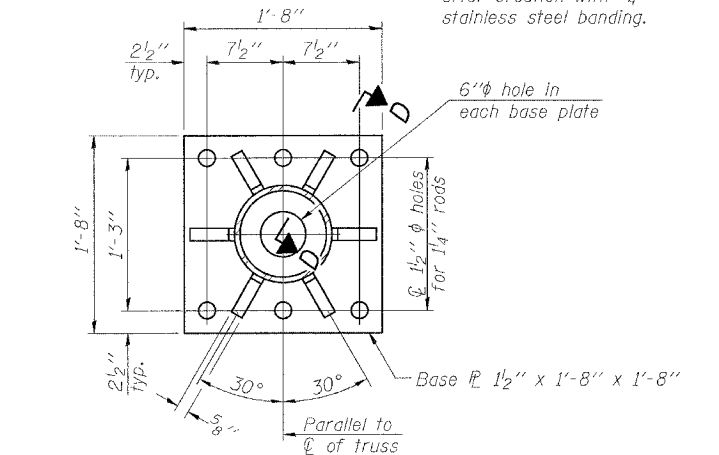
DETAIL B



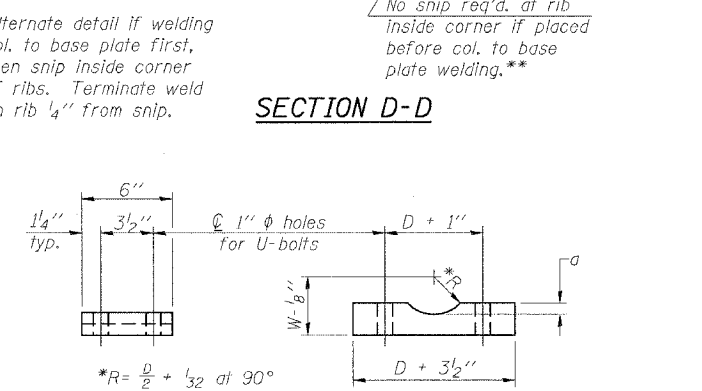
SECTION D-D



POSITIONING PLATE(S)



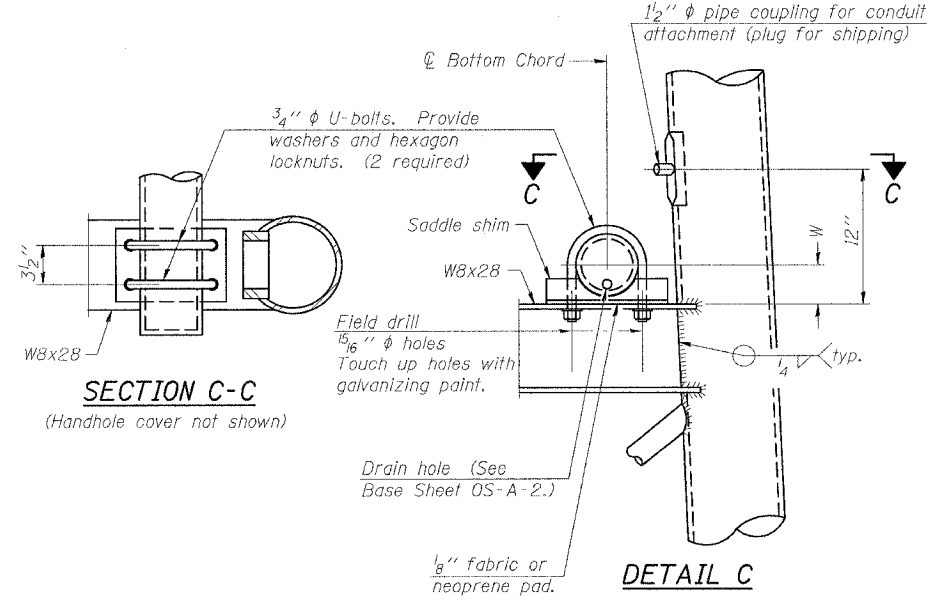
SECTION B-B



SADDLE SHIM DETAIL

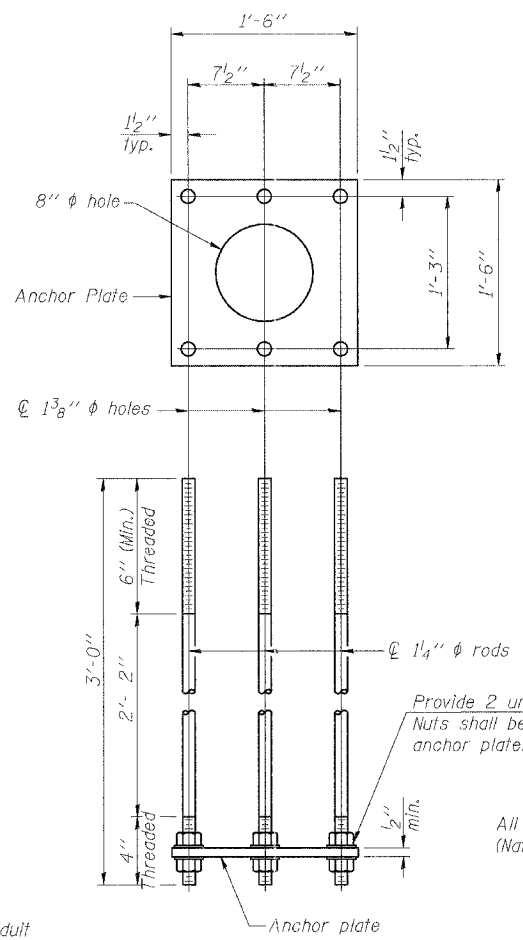
Truss Chord Nominal Dia.	a
5"	3/4"
5 1/2"	13/16"
6"	7/8"
6 1/2"	15/16"
7"	1"

NUMBER	REVISION	DATE

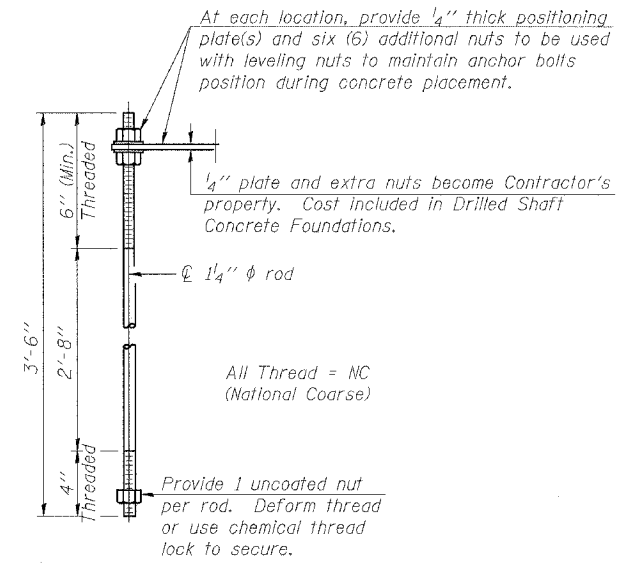


SECTION C-C

DETAIL C



ANCHOR ROD DETAIL
Spread Footing Foundation



ANCHOR ROD DETAIL
Drilled Shaft Foundation

Anchor rods shall conform to AASHTO M314 Grade 36 or 50 and meet Charpy V-Notch (CVN) energy of 15 lb.-ft. at 40° F. Galvanize upper 12" per AASHTO M232. No welding shall be permitted on rods.

10" Ø PIPE SUPPORT FRAME DETAILS

REVISIONS	
NAME	DATE

ILLINOIS DEPARTMENT OF TRANSPORTATION
**OVERHEAD SIGN STRUCTURES
SUPPORT FRAME DETAILS
ALUMINUM TRUSS**

SCALE: VERT. NONE
HORIZ. DATE
DRAWN BY
CHECKED BY

PLOT DATE = 5/11/2007
 FILE NAME = C:\Users\jason\Documents\Projects\98963\98963.dgn
 PLOT SCALE = 50.0000 / 1.00
 USER NAME = russellof