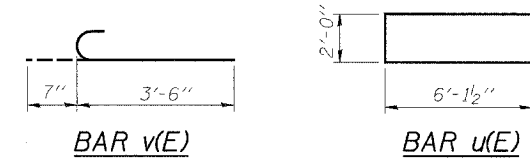
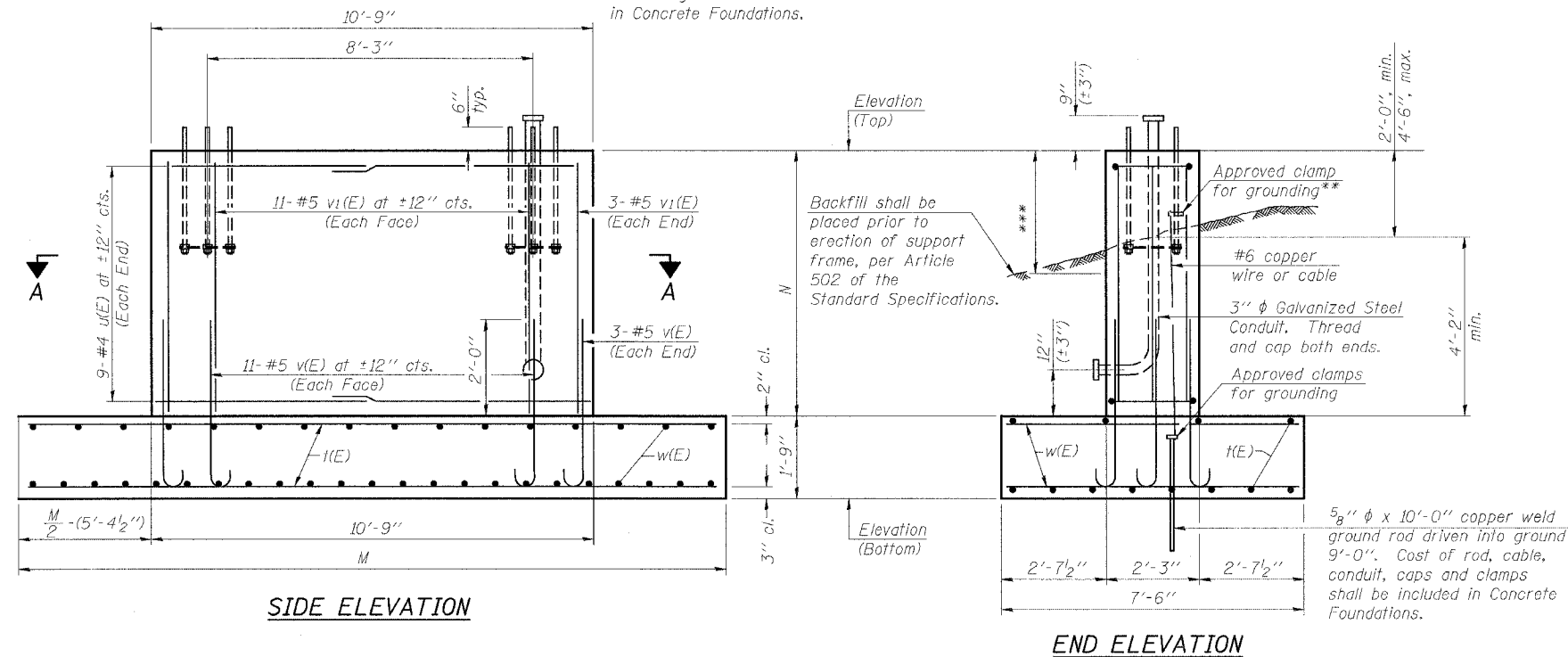


F.A.I. SECTION	COUNTY	TOTAL SHEETS	SHEET NO.
57/64 (41-3)HBK	JEFFERSON		262
STA. TO STA.		ILLINOIS FED. AID PROJECT	

For anchor rod size and placement, see Support Frame Detail Sheet.

** Anchor rod shall be ground or filed to bright metal at clamp and cable connection location.

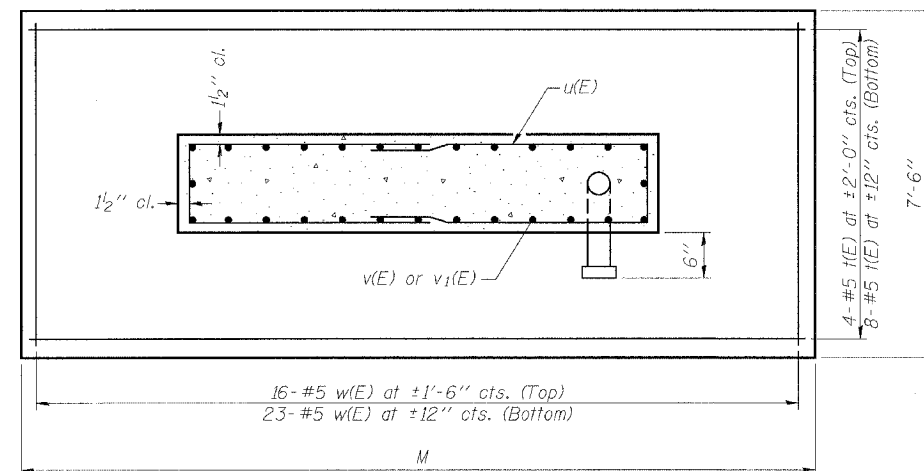
*** A normal surface finish followed by a Bridge Seat Sealer application will be required on concrete surfaces above the lowest elevation 6" below finished ground line. Cost included in Concrete Foundations.



BAR LIST - EACH FOUNDATION

Bar	Number	Size	Length	Shape
f(E)	12	#5	*	—
u(E)	18	#4	14'-3"	⊓
v(E)	28	#5	4'-1"	⊓
v ₁ (E)	28	#5	*	—
w(E)	39	#5	7'-3"	—

*Length of f(E) bar = (Dim. M) - 6"
v₁(E) bar = (Dim. N) - 3"



SECTION A-A

Structure Number	Station	Left Foundation				Right Foundation				Class S1 Concrete (Cu. Yds.)
		Elevation Top	Elevation Bottom	N	M	Elevation Top	Elevation Bottom	N	M	
9S0411057R093.3	700+50	498.95	488.20	9'-0"	21'-6"	499.78	489.03	9'-0"	21'-6"	37.0
9S0411057L094.0	740+40	515.30	504.55	9'-0"	21'-6"	513.50	502.75	9'-0"	21'-6"	37.0

Note:
The foundation dimensions shown are based on the presence of mostly cohesive soils with an average Unconfined Compressive Strength (Qu) of at least 1.0 tsf, which must be determined by previous soil investigations at the jobsite. When other conditions are indicated, the boring data will be included in the plans and the foundation dimensions shown will be the result of site specific designs.
During construction, if footing length or width or wall height change by more than 12", or if reinforcement is changed, "as-built" plans shall be prepared and submitted to the District Bureau of Operations for future reference.

NUMBER	REVISION	DATE

DETAILS FOR 10" φ SUPPORT FRAME

REVISIONS	
NAME	DATE

ILLINOIS DEPARTMENT OF TRANSPORTATION
**OVERHEAD SIGN STRUCTURES
SPREAD FOOTING DETAILS**
SCALE: VERT. NONE
HORIZ. DATE
DRAWN BY
CHECKED BY

PLOT DATE = 6/11/2007
 FILE NAME = c:\pcc\projects\final\consultant\vt\stamdr\vt\stamdr\vt\stamdr.dgn
 PLOT SCALE = 50.000000 / IN.
 USER NAME = muser10f