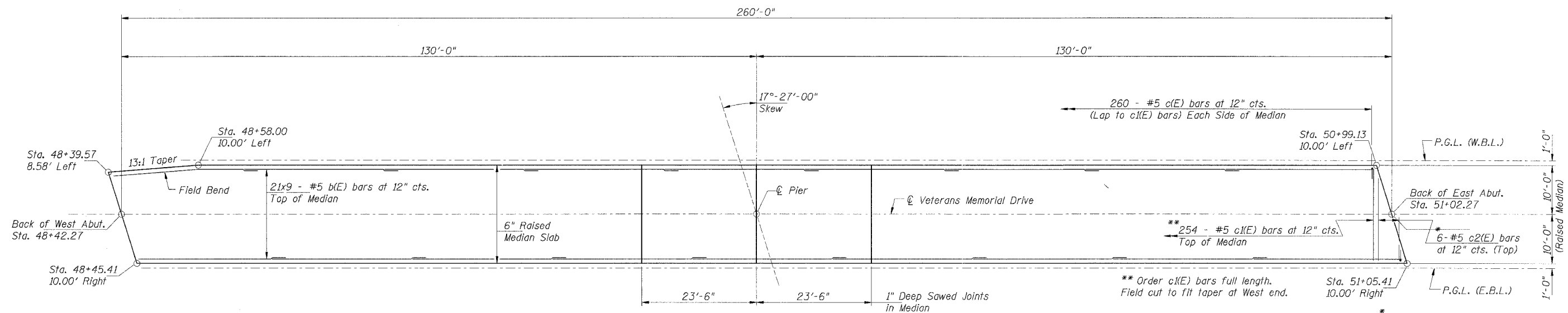


F.A.I. RTE.	SECTION	COUNTY	TOTAL SHEETS	SHEET NO.
57/64	(41-3)HBK	JEFFERSON	518	279
STA.		TO STA.		
FED. ROAD DIST. NO.	ILLINOIS	FED. AID PROJECT		
CONTRACT NO. 98963				

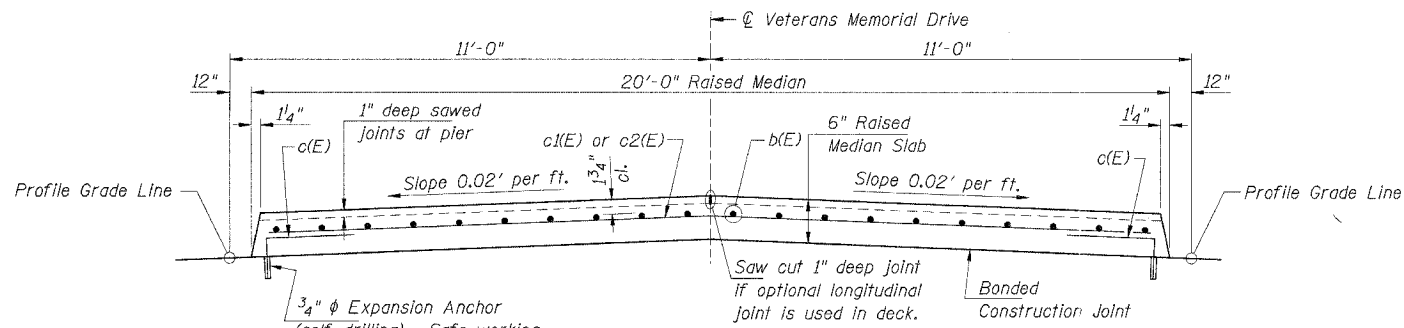
Sheet 9 of 25



RAISED MEDIAN PLAN

* Order c2(E) bars full length. Field cut to fit skew at East end and use remainder of bars in West end and field cut to fit taper.

BAR LAPS
#5 = 2'-2"



SECTION THRU RAISED MEDIAN
(Looking Upstation)

Note:
The cost of Expansion Anchors (self-drilling) is included in the cost of "Reinforcement Bars, Epoxy Coated".

Note:
The cost of 1" deep sawed joints is included with the cost of "Concrete Superstructure".

RAISED MEDIAN DETAILS
VETERANS MEMORIAL DR. over F.A.I. ROUTES 57/64
SECTION (41-3)HBK
JEFFERSON COUNTY
STATION 49+72.27
STRUCTURE NO. 041-0108

© Copyright Hanson Professional Services Inc. 2007



JOB NO.
98S2019A
DATE
03-14-07

March, 2007 Submitted
LAYOUT: MAM 03/12/07
DRAWN: DAB 03/12/07
REVIEWED: / /

03/21/2007 10:44 AM
I:\98\jobs\98s2019a\Struct\Sheet\Final Plans 03-18-04\F-009.dwg