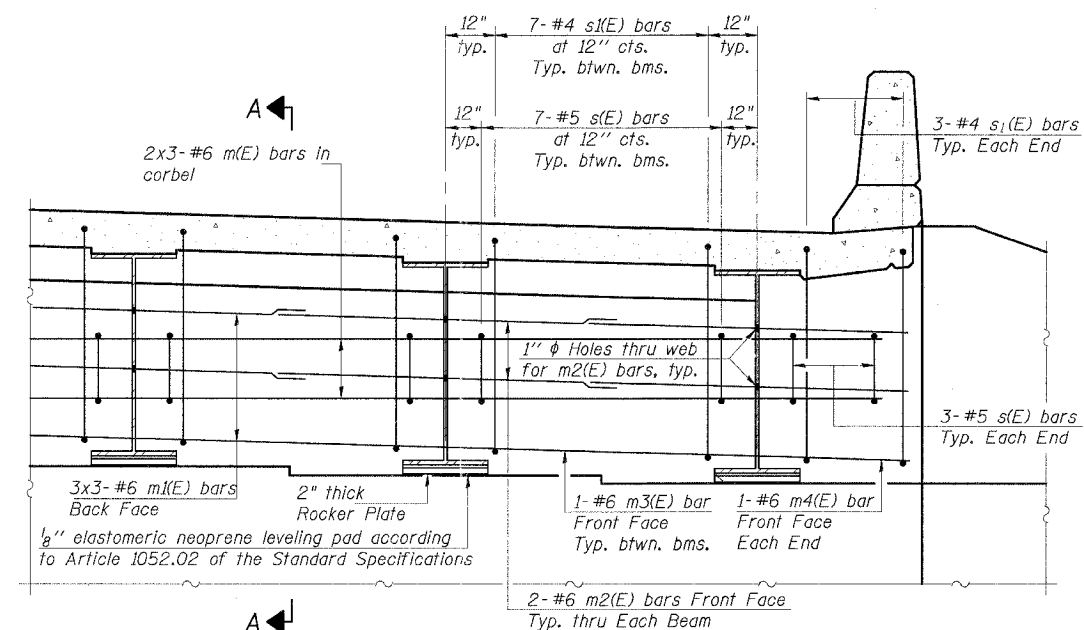
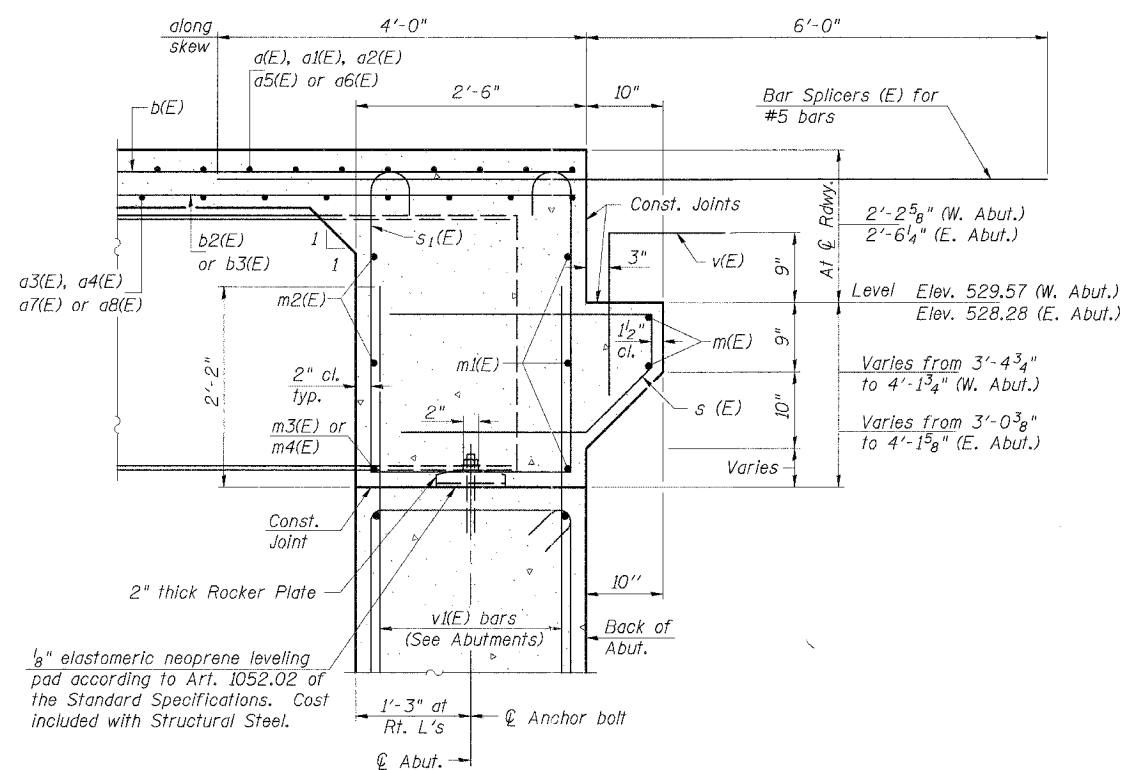


F.A.I. RTE.	SECTION	COUNTY	TOTAL SHEETS	SHEET NO.
57/64	(41-3)HBK	JEFFERSON	518	281
STA.	TO STA.			
FED. ROAD DIST. NO.	ILLINOIS	FED. AID PROJECT		
CONTRACT NO. 98963				

Sheet 11 of 25



**DIAPHRAGM ELEVATION AT ABUTMENT**



**SECTION A-A**

Dimensions at right angles to abutment, except as shown.

**Notes:**  
 Reinforcement bars in diaphragm are billed with superstructure on sheet 12 of 25.  
 Concrete in diaphragm is included with Concrete Superstructure on sheet 12 of 25.  
 For details of bars s(E) & s1(E) see sheet 12 of 25.  
 The s(E) and s1(E) bars shall be placed parallel to the beams. Spacing for these bars shall be at right angles to the beams.  
 Bars indicated thus 2x3-#6 etc. indicates 2 lines of bars with 3 lengths per line.  
 See Sheet 23 of 25 for Bar Splicer Details.

**MIN. BAR LAP**

#6 bar = 2'-9"

March 2007 Submittal  
 03/20/07 10:45 AM  
 I:\99\98963\98963\Struct\Sheet\Final Plans 03-19-07\Final.dwg

LAYOUT	MM	03/12/07
DRAWN	DAB	03/12/07
REVIEWED		

GBR	02/02/04
Rad	02/02/04
TJH	02/02/04

END DIAPHRAGM DETAILS  
 VETERANS MEMORIAL DR. over F.A.I. ROUTES 57/64  
 SECTION (41-3)HBK  
 JEFFERSON COUNTY  
 STATION 49+72.27  
 STRUCTURE NO. 041-0108

© Copyright Hanson Professional Services Inc. 2007



SHEET NO.  
 98S2019A  
 DATE  
 03-14-07